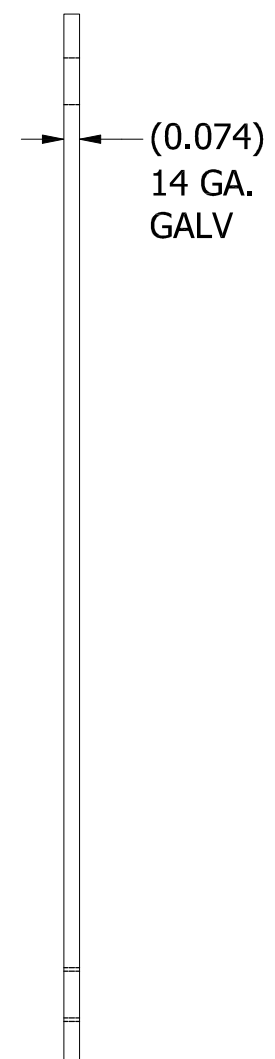
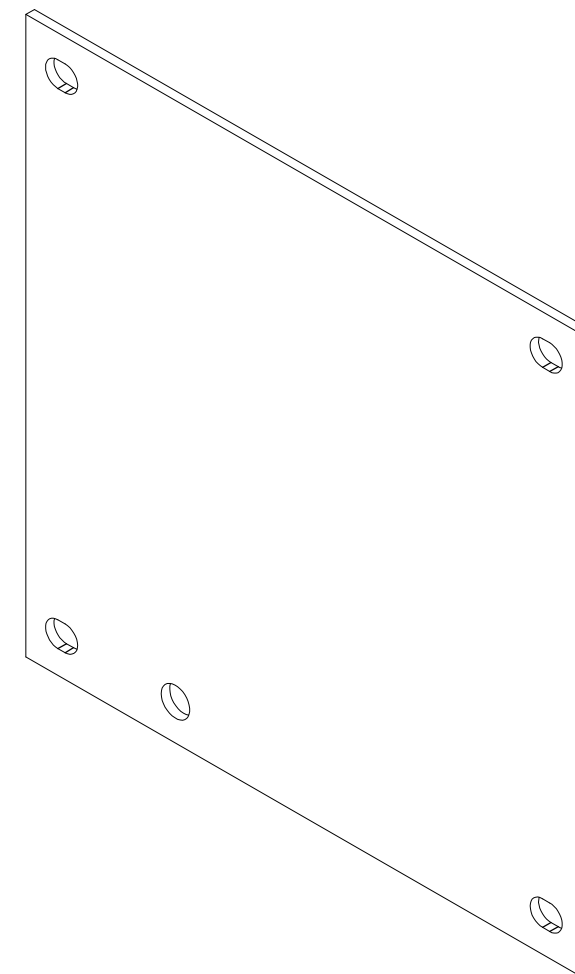


FRONT VIEW



SIDE VIEW



PART#: P0606G  
 (DATA SUBJECT TO CHANGE WITHOUT NOTICE)  
 THIS DRAWING AND COMPONENTS OF ARE PROPERTY OF HUBBELL INC. WIEGMANN