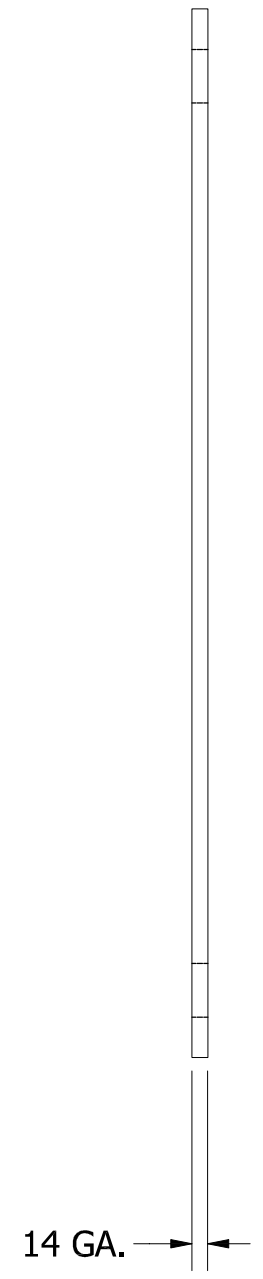
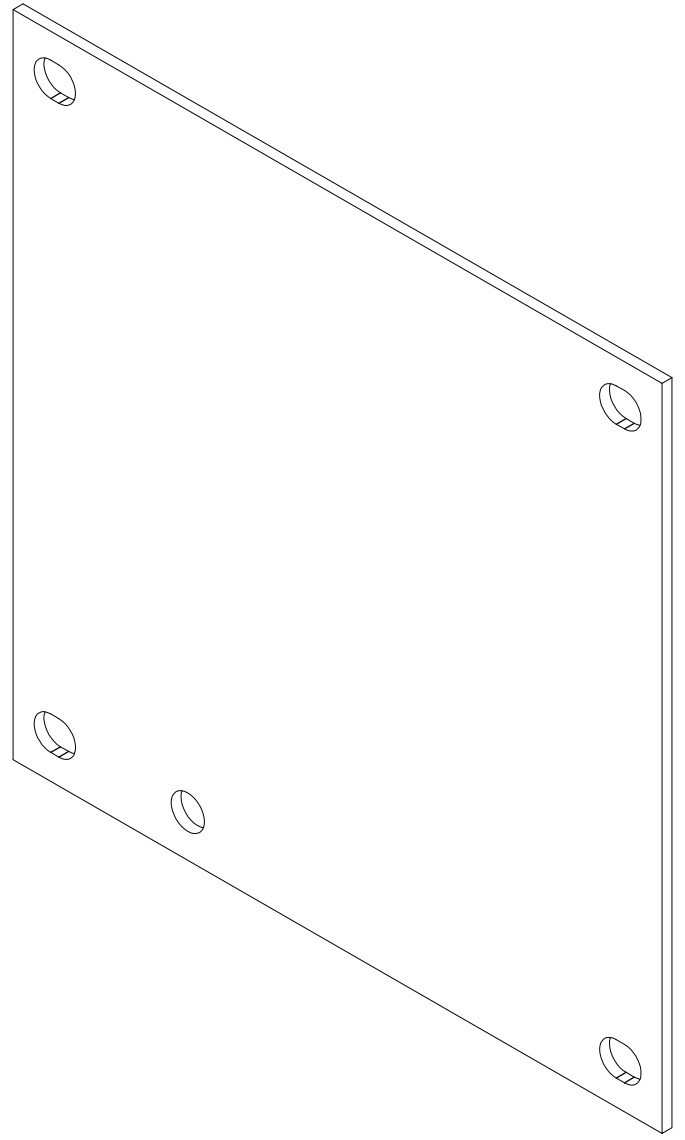


FRONT VIEW



RIGHT VIEW



PART#: P0606SS  
 (DATA SUBJECT TO CHANGE WITHOUT NOTICE)  
 THIS DRAWING AND COMPONENTS OF ARE PROPERTY OF HUBBELL INC. WIEGMANN