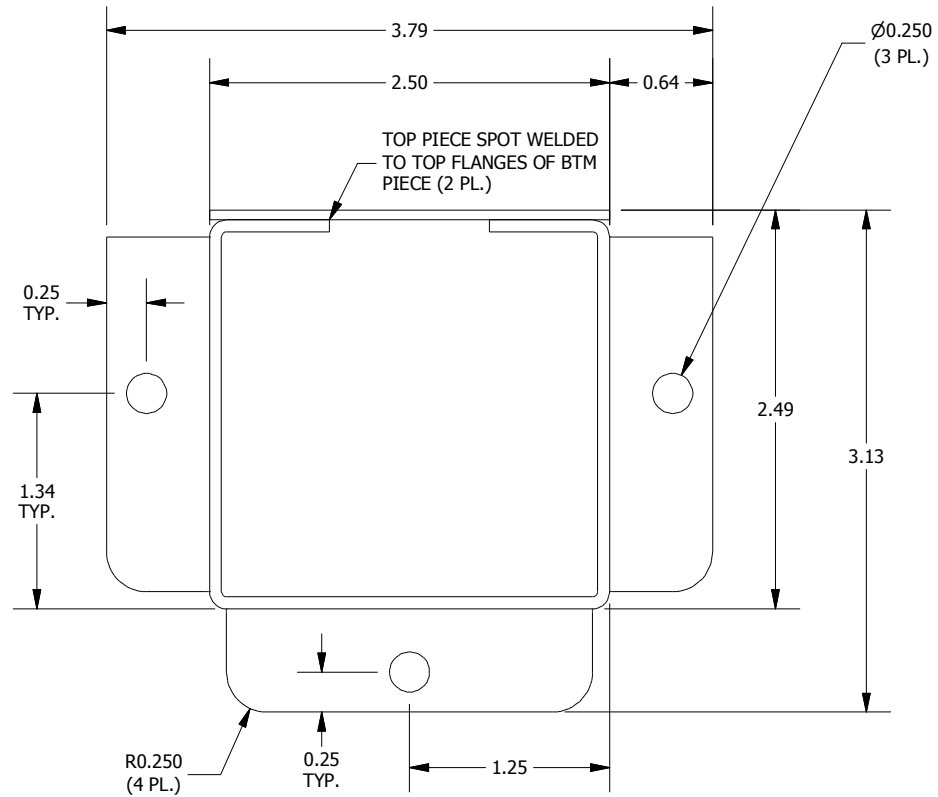
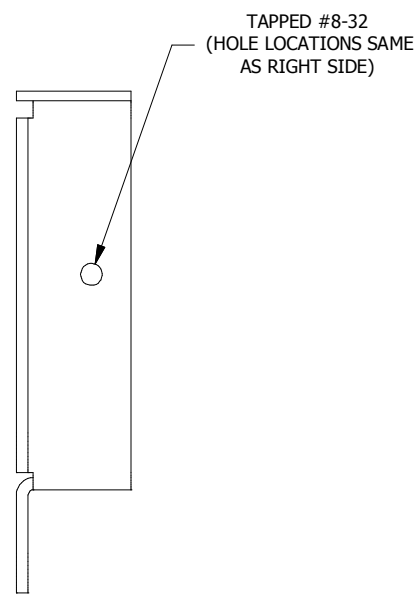


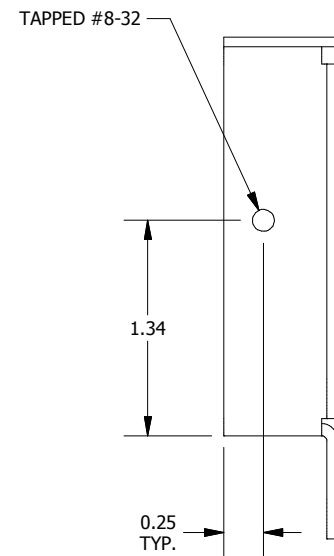
TOP VIEW



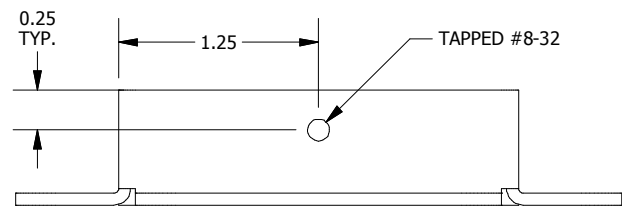
FRONT VIEW



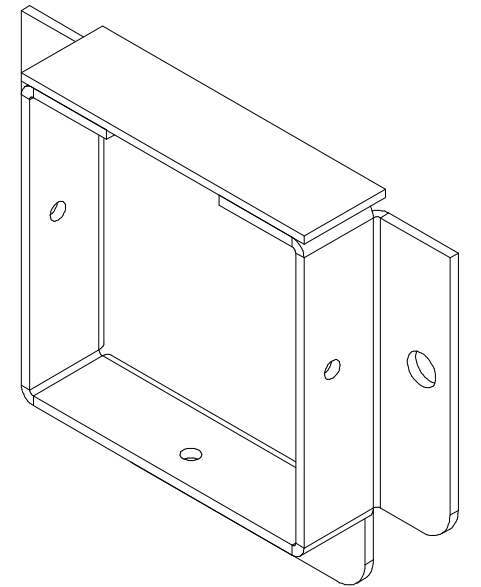
LEFT SIDE VIEW



RIGHT SIDE VIEW



BOTTOM VIEW



PART#: PA0202G  
(DATA SUBJECT TO CHANGE WITHOUT NOTICE)

THIS DRAWING IS PROPERTY OF HUBBELL INC. WIEGMANN  
ALL INFORMATION IS PROPRIETARY AND NOT TO BE DUPLICATED