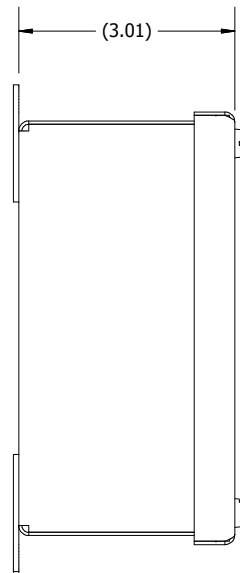
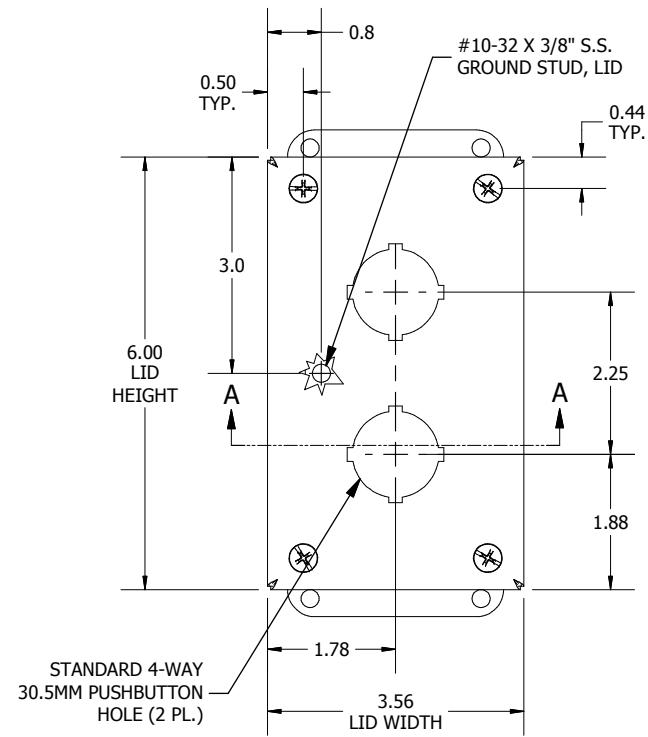


**PART#: PBSS2A**  
**(DATA SUBJECT TO CHANGE WITHOUT NOTICE)**

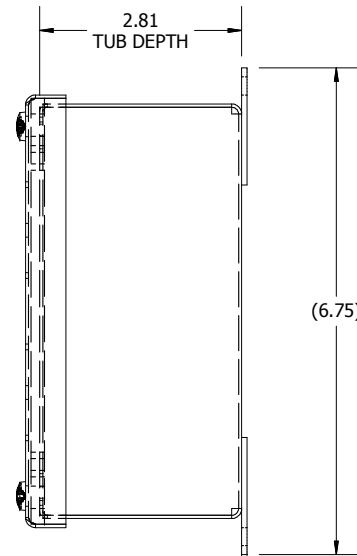
THIS DRAWING IS PROPERTY OF HUBBELL INC. WIEGMANN ALL INFORMATION IS PROPRIETARY AND NOT TO BE DUPLICATED



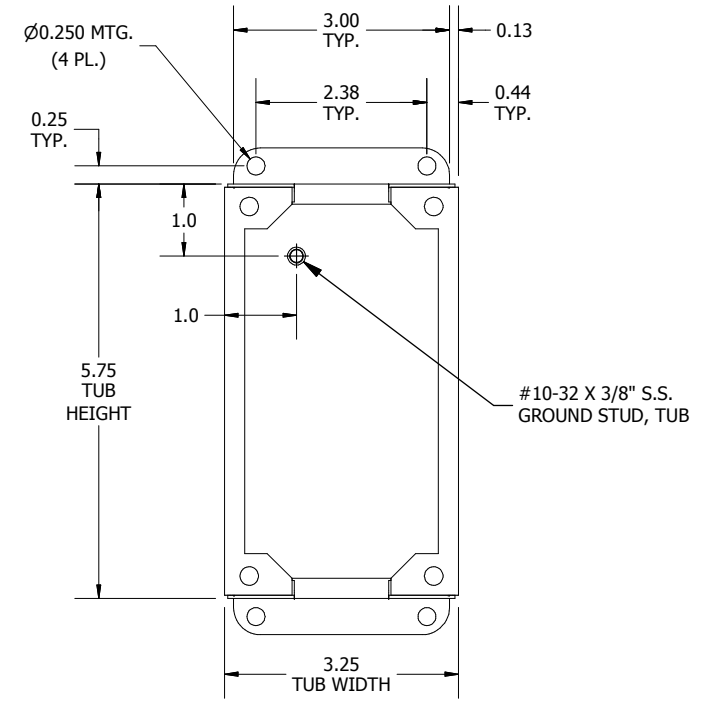
**LEFT VIEW**



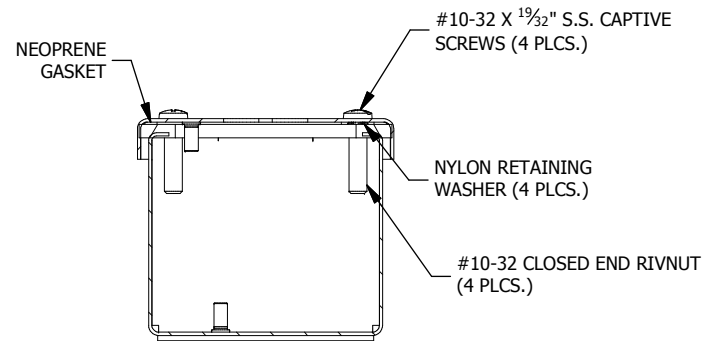
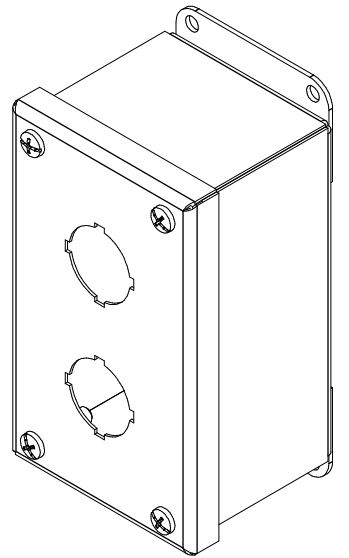
**FRONT VIEW**



**RIGHT VIEW**



**FRONT VIEW TUB**



**SECTION A-A**  
**(INSIDE TOP OF ENCL.)**