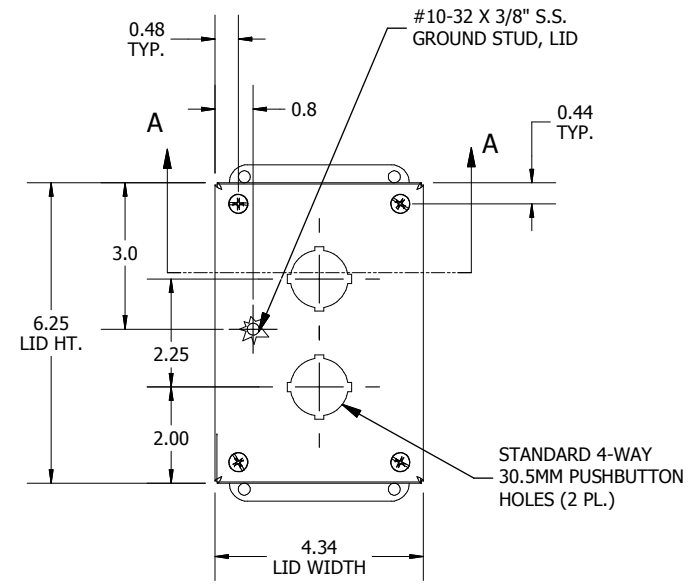
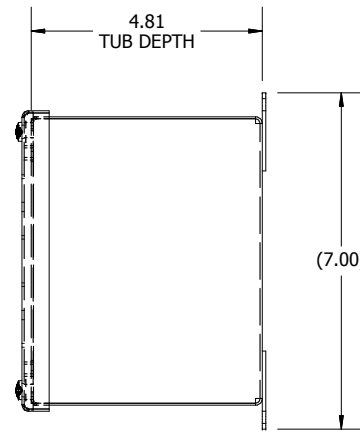


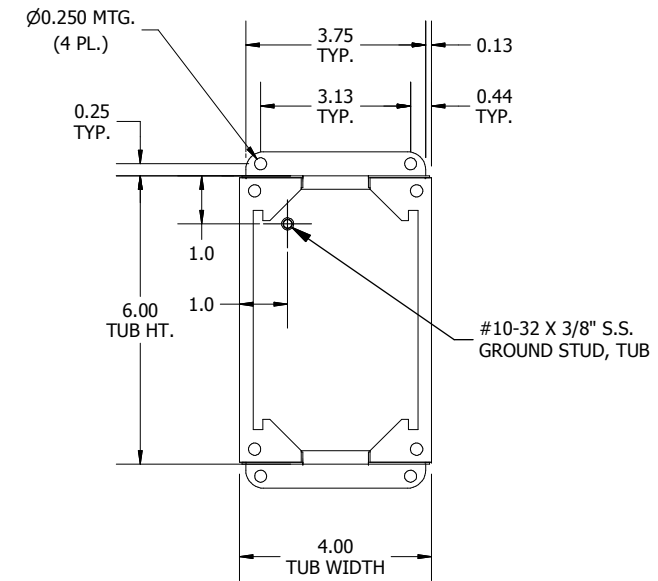
LEFT VIEW



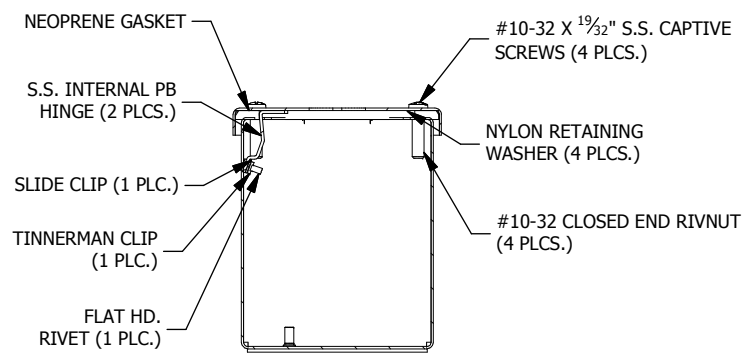
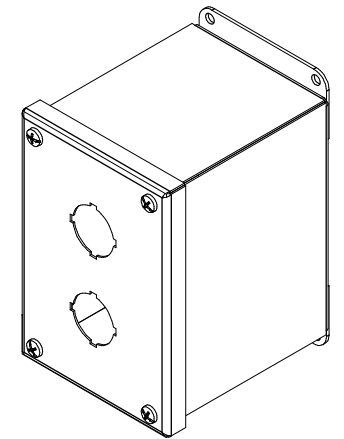
FRONT VIEW



RIGHT VIEW



FRONT VIEW TUB



SECTION A-A  
(INSIDE TOP OF ENCL.)

**PART#: PBXD2SS**  
**(DATA SUBJECT TO CHANGE WITHOUT NOTICE)**

THIS DRAWING IS PROPERTY OF HUBBELL INC. WIEGMANN ALL INFORMATION IS PROPRIETARY AND NOT TO BE DUPLICATED