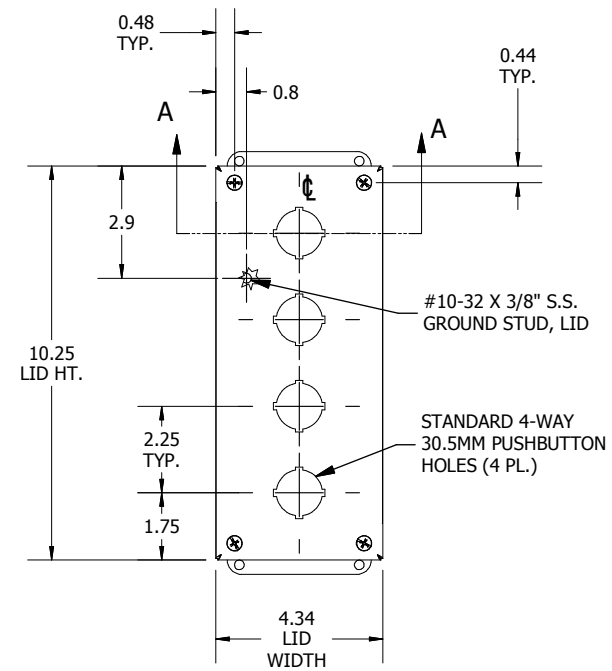
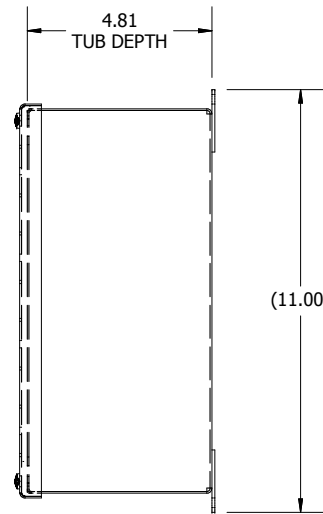


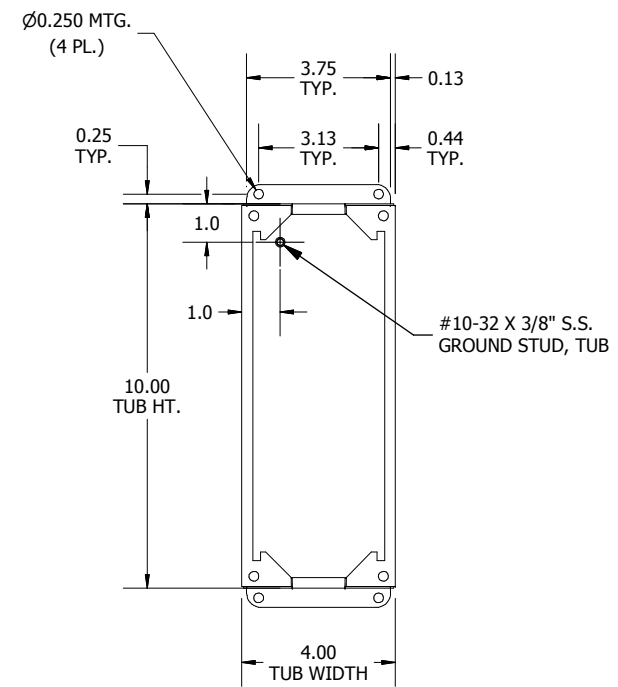
**LEFT VIEW**



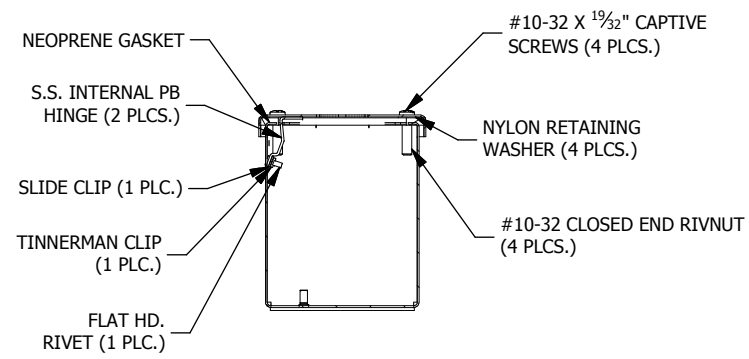
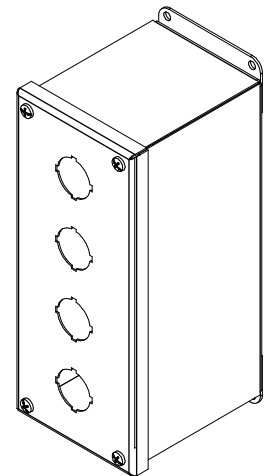
**FRONT VIEW**



**RIGHT VIEW**



**FRONT VIEW TUB**



**SECTION A-A  
(INSIDE TOP OF ENCL.)**

**PART#: PBXD4SS  
(DATA SUBJECT TO CHANGE WITHOUT NOTICE)**

THIS DRAWING IS PROPERTY OF HUBBELL INC. WIEGMANN ALL INFORMATION IS PROPRIETARY AND NOT TO BE DUPLICATED