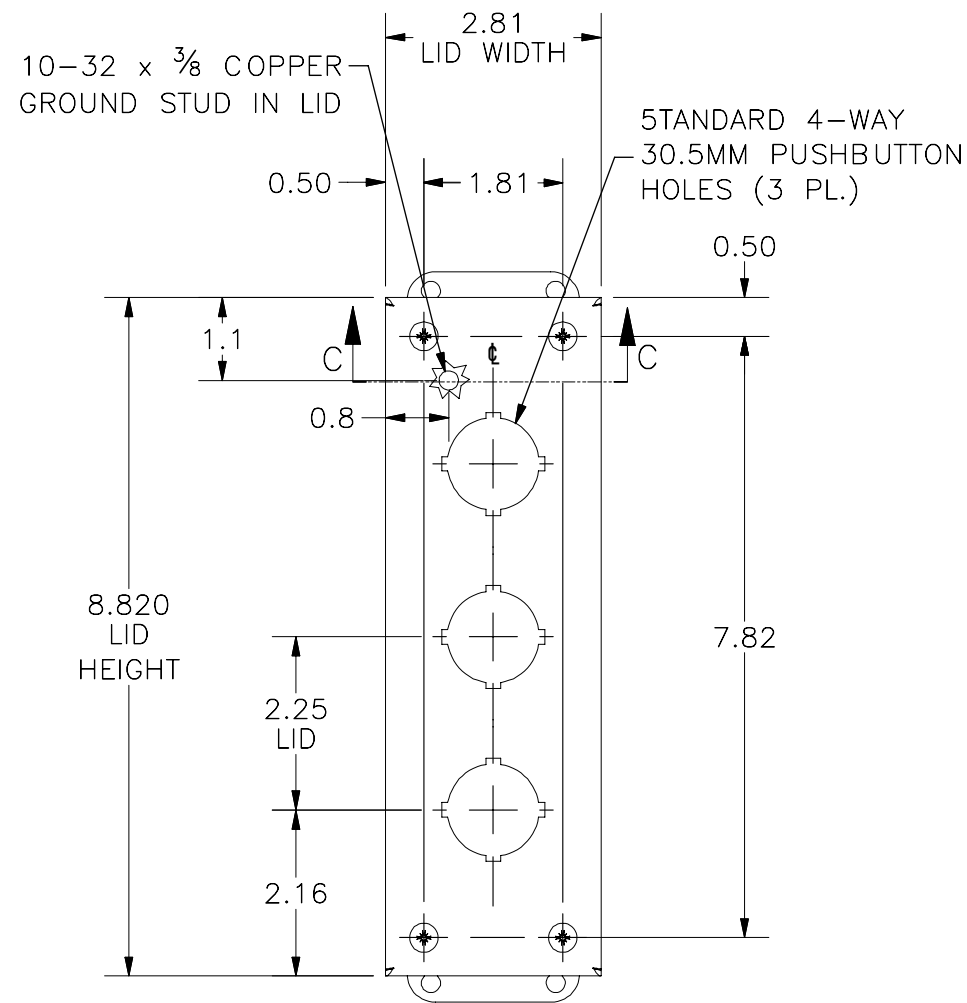
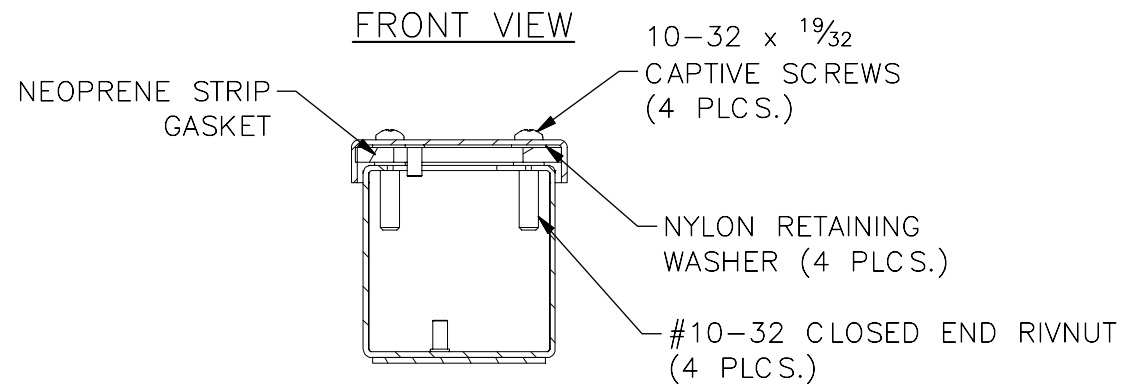


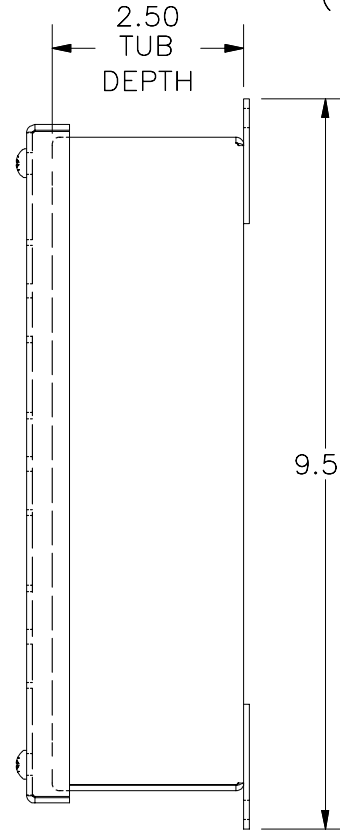
LEFT SIDE VIEW



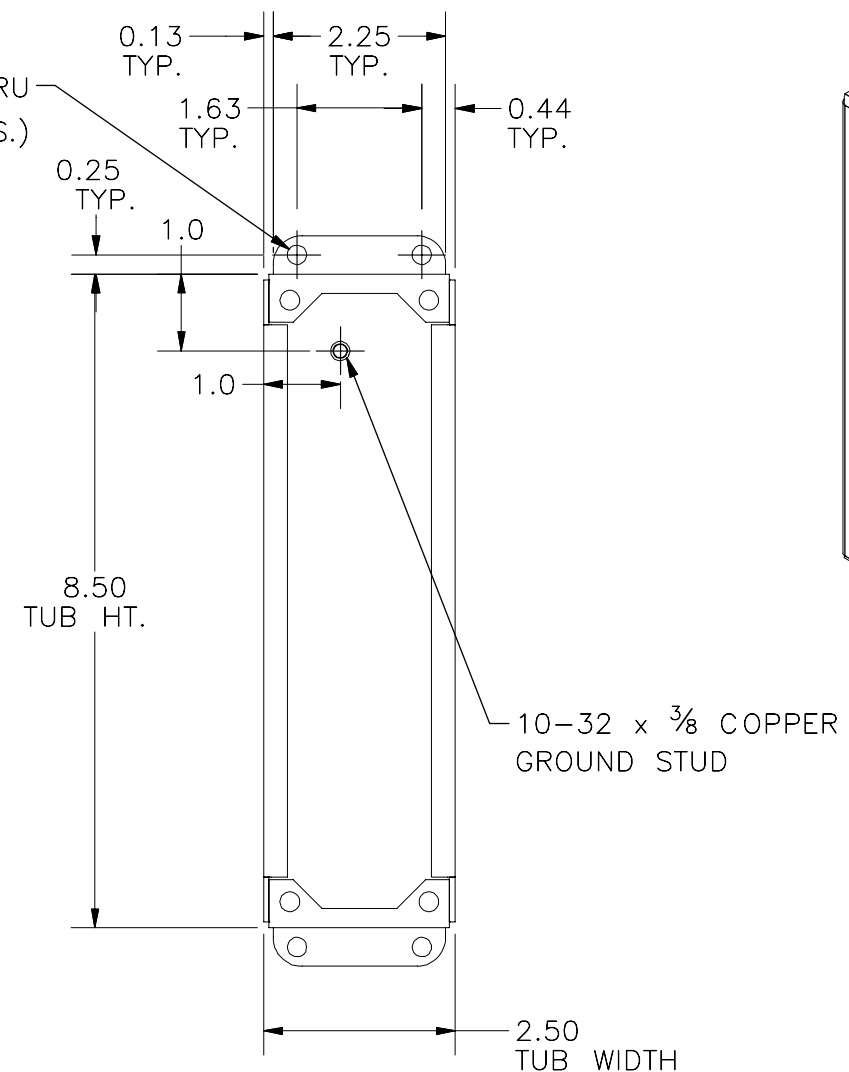
FRONT VIEW



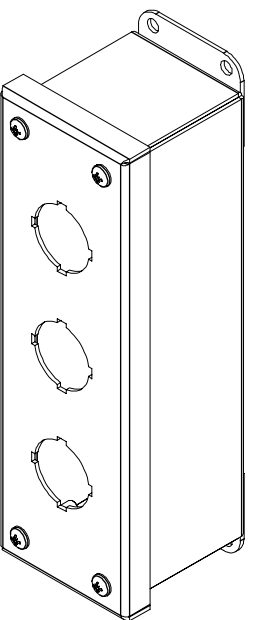
SECTION C-C
(INSIDE TOP OF ENCLOSURE)



RIGHT SIDE VIEW



FRONT VIEW TUB



PART#: PSL3
(DATA SUBJECT TO CHANGE WITHOUT NOTICE)

THIS DRAWING IS PROPERTY OF HUBBELL INC. WIEGMANN
ALL INFORMATION IS PROPRIETARY AND NOT TO BE DUPLICATED