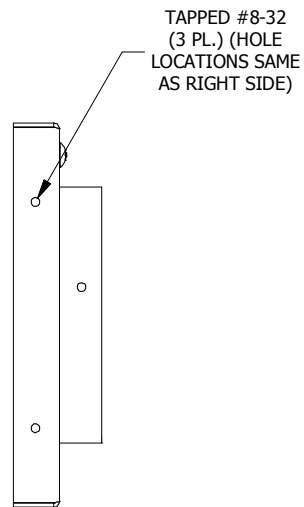
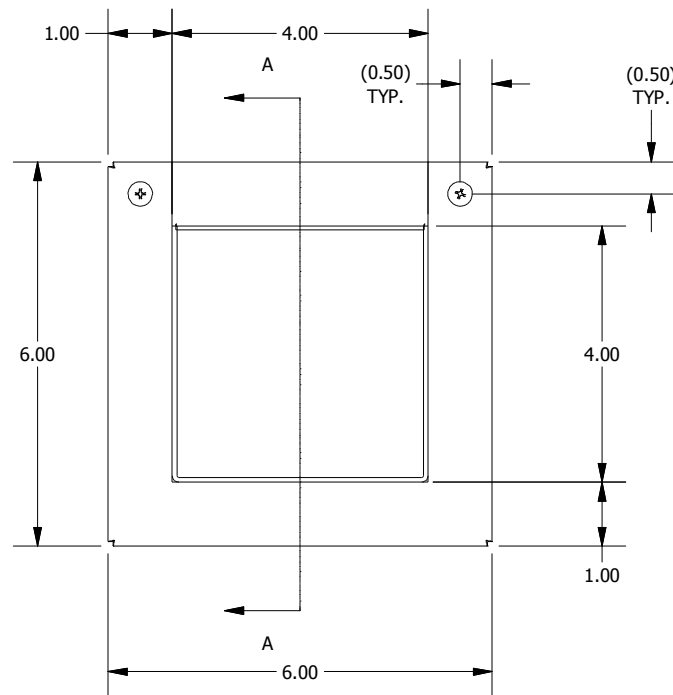


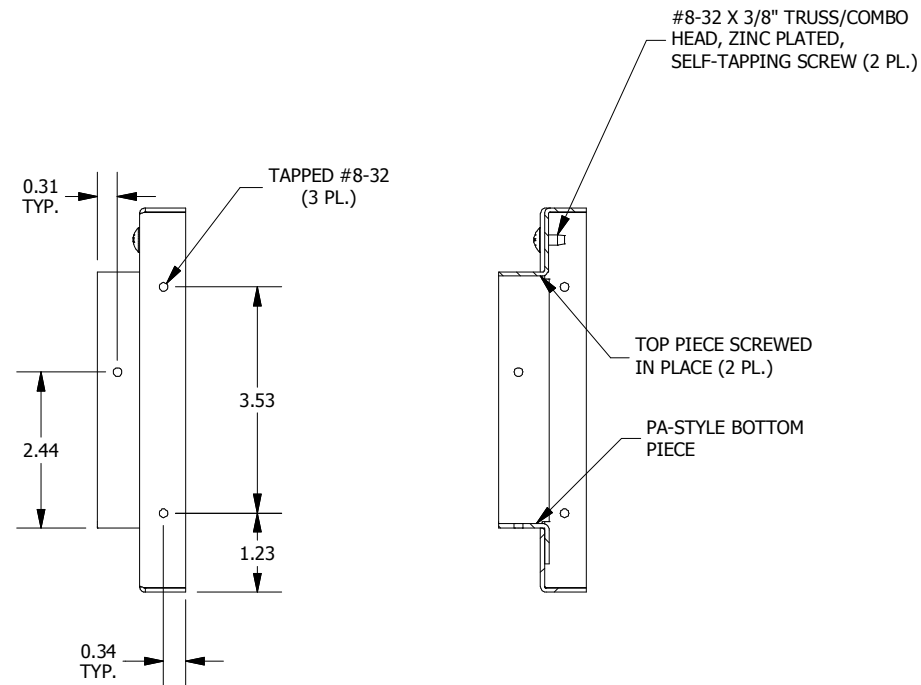
TOP VIEW



LEFT SIDE VIEW

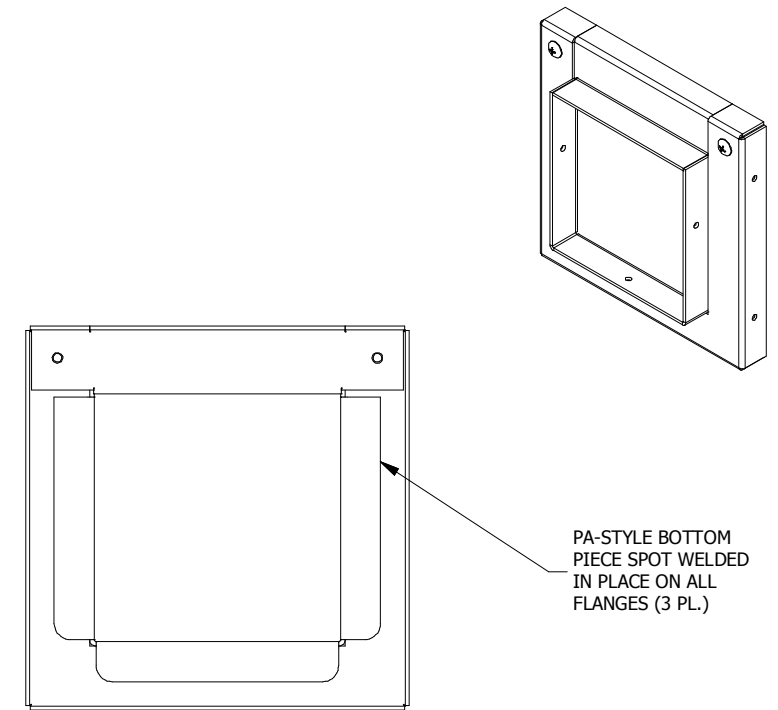


FRONT VIEW

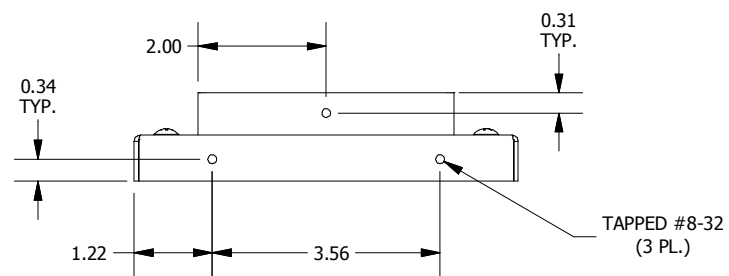


RIGHT SIDE VIEW

SECTION A-A



REAR VIEW



BOTTOM VIEW

PART#: R0604
 (DATA SUBJECT TO CHANGE WITHOUT NOTICE)

THIS DRAWING IS PROPERTY OF HUBBELL INC. WIEGMANN
 ALL INFORMATION IS PROPRIETARY AND NOT TO BE DUPLICATED