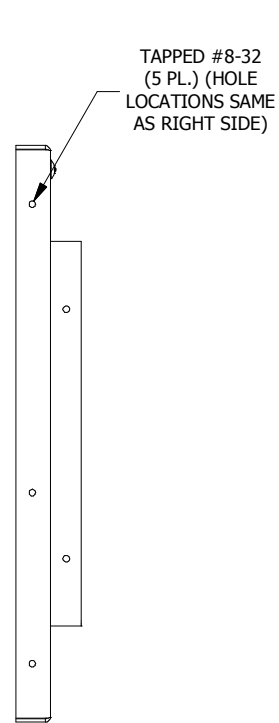
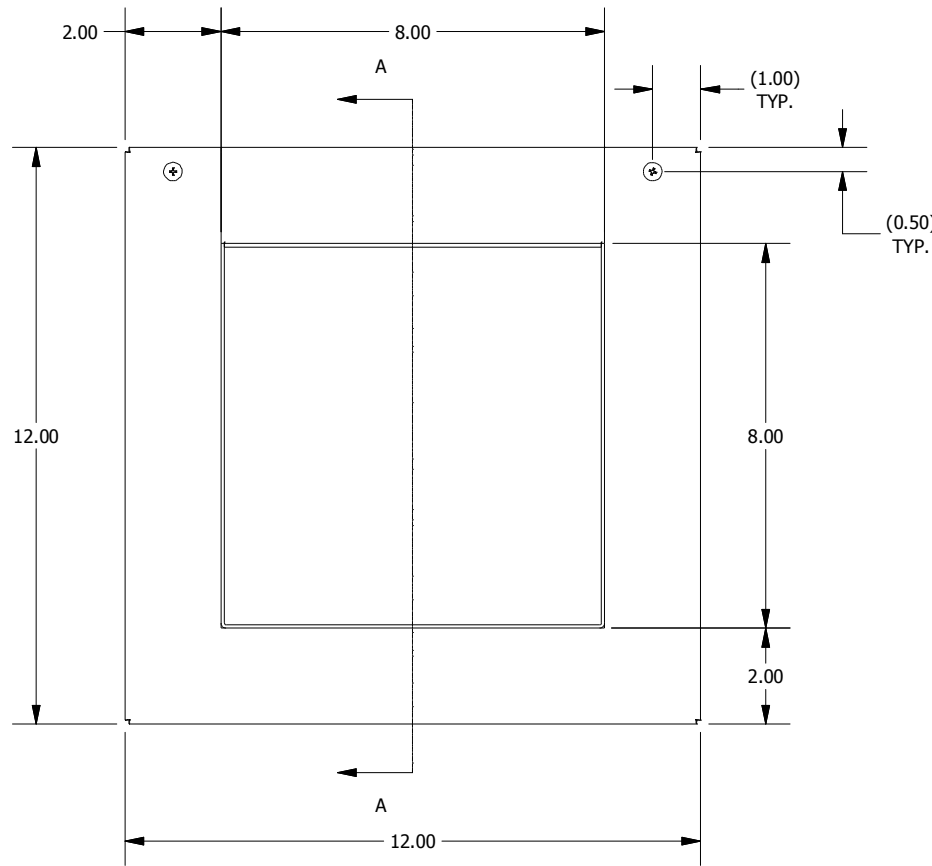


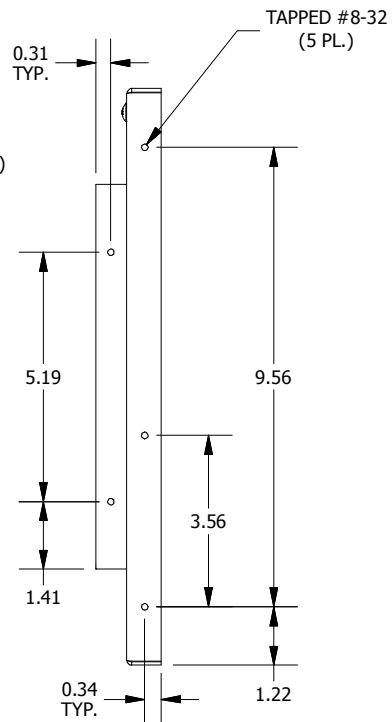
TOP VIEW



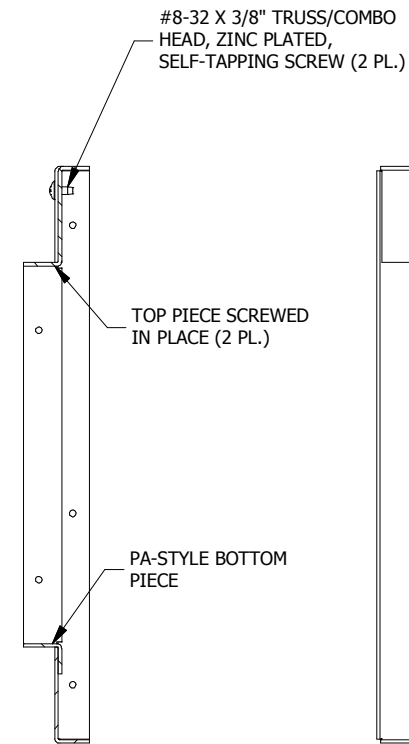
LEFT SIDE VIEW



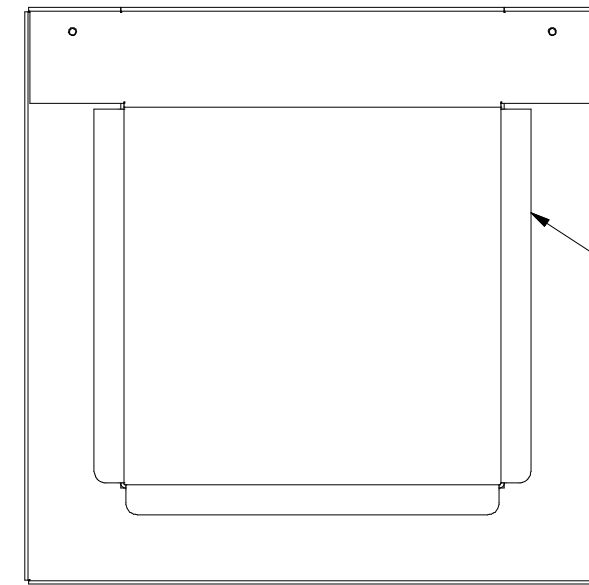
FRONT VIEW



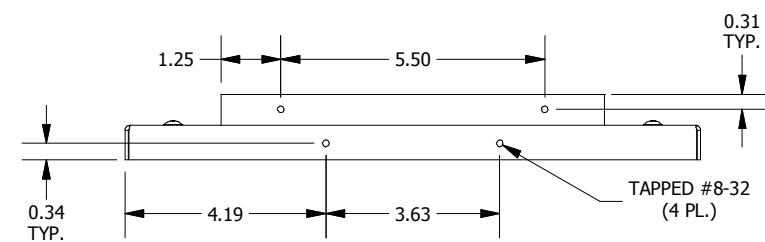
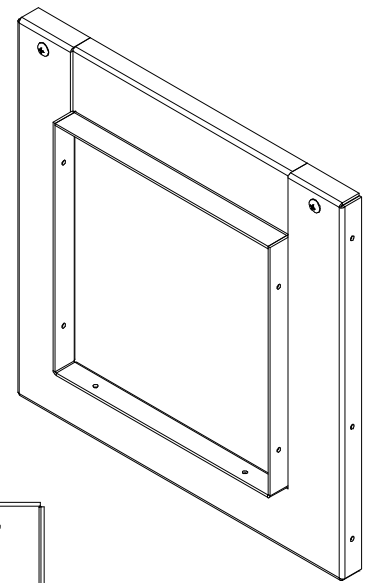
RIGHT SIDE VIEW



SECTION A-A



REAR VIEW



BOTTOM VIEW

PART#: R1208G
 (DATA SUBJECT TO CHANGE WITHOUT NOTICE)

THIS DRAWING IS PROPERTY OF HUBBELL INC. WIEGMANN
 ALL INFORMATION IS PROPRIETARY AND NOT TO BE DUPLICATED