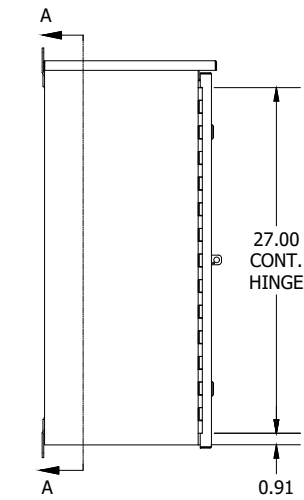
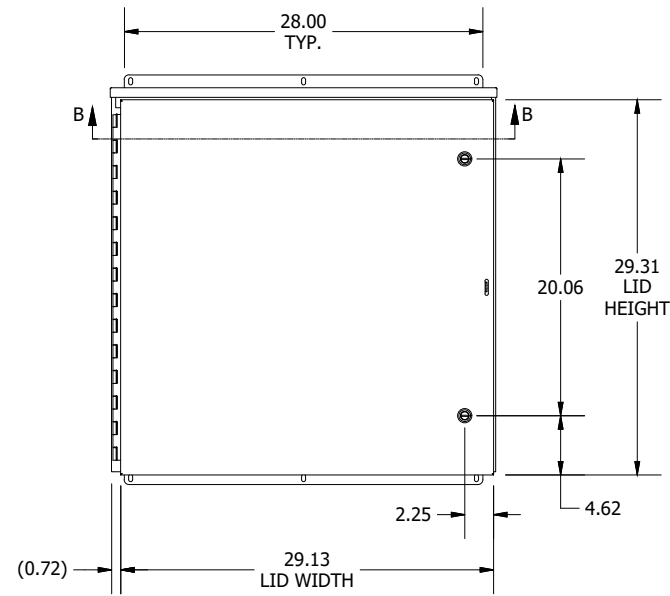


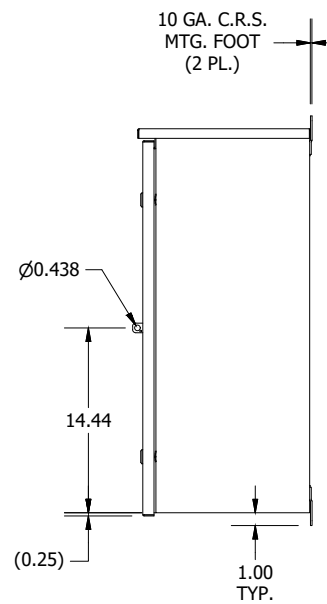
TOP VIEW



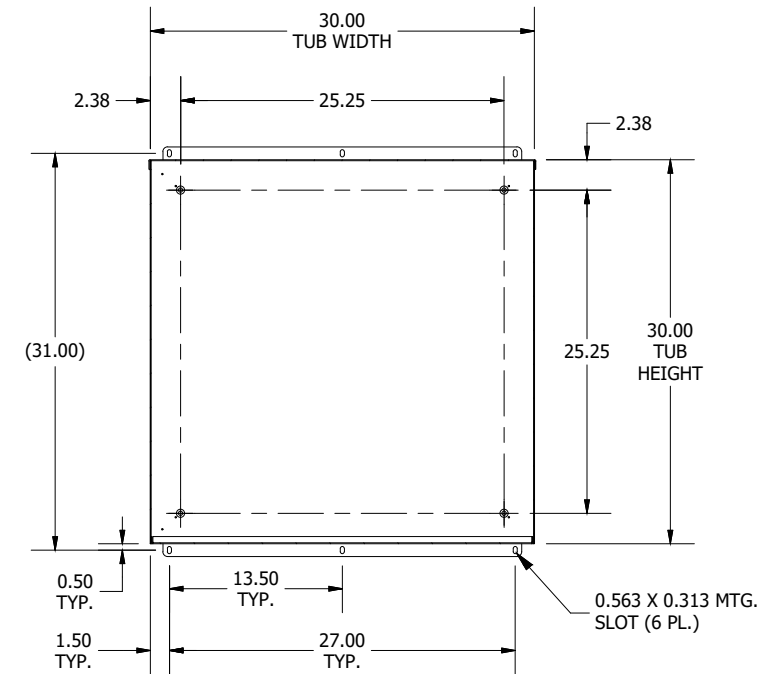
LEFT SIDE VIEW



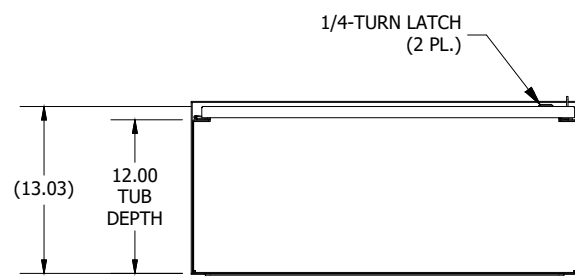
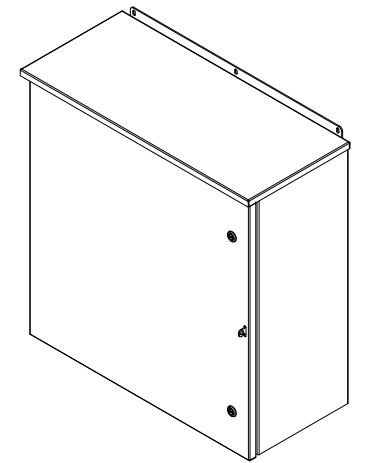
FRONT VIEW



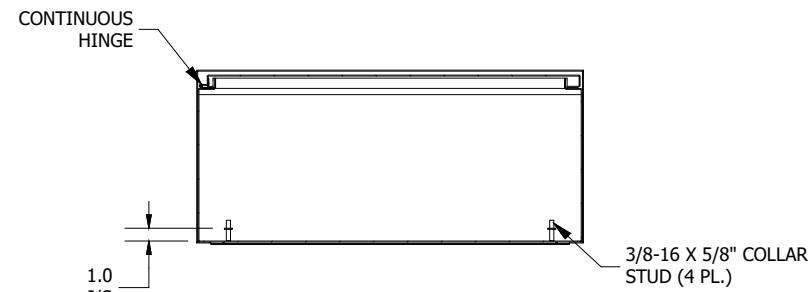
RIGHT SIDE VIEW



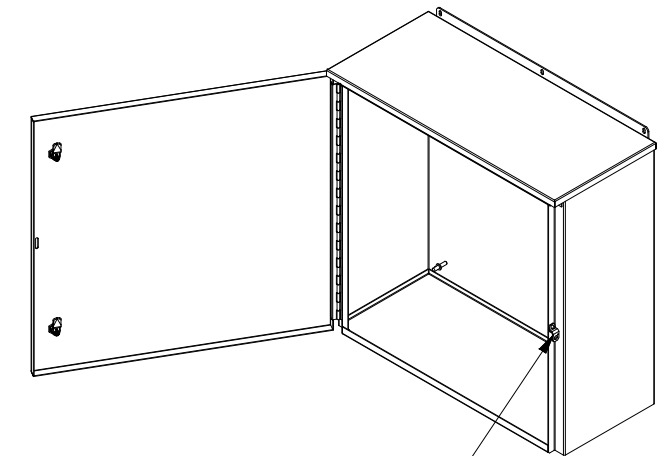
**SECTION A-A
(INSIDE BACK OF ENCL.)**



BOTTOM VIEW



**SECTION B-B
(INSIDE TOP OF ENCL.)**



**FOLD-AWAY STAPLE
INSTALLED**

PART#: RHC 303012
(DATA SUBJECT TO CHANGE WITHOUT NOTICE)

THIS DRAWING IS PROPERTY OF HUBBELL INC. WIEGMANN
ALL INFORMATION IS PROPRIETARY AND NOT TO BE DUPLICATED