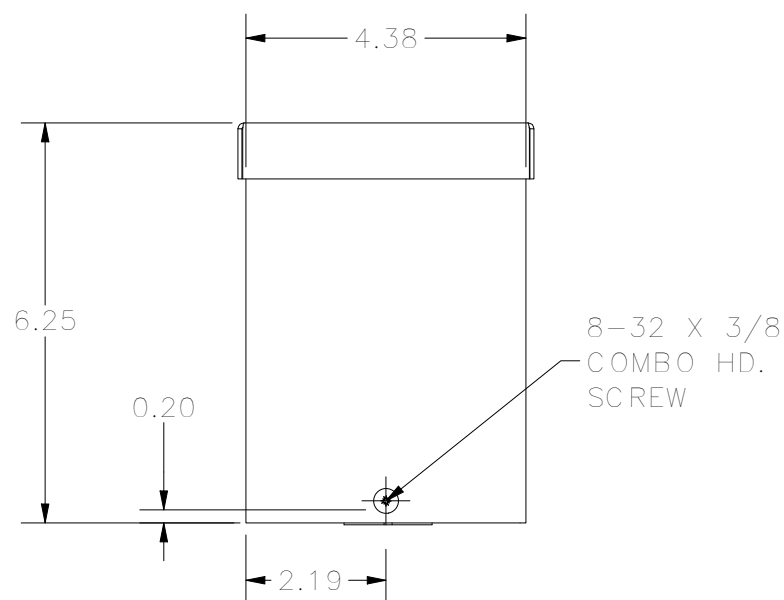
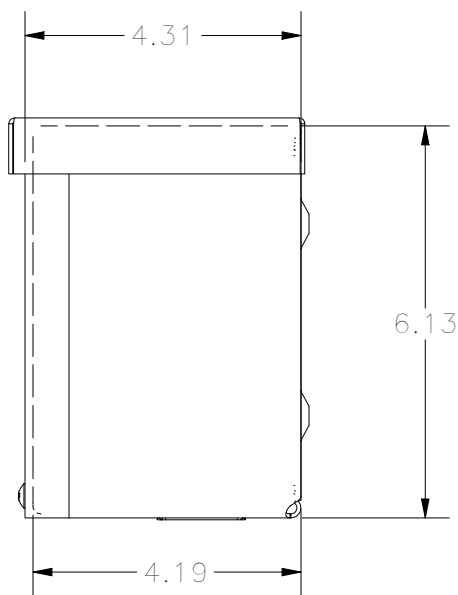


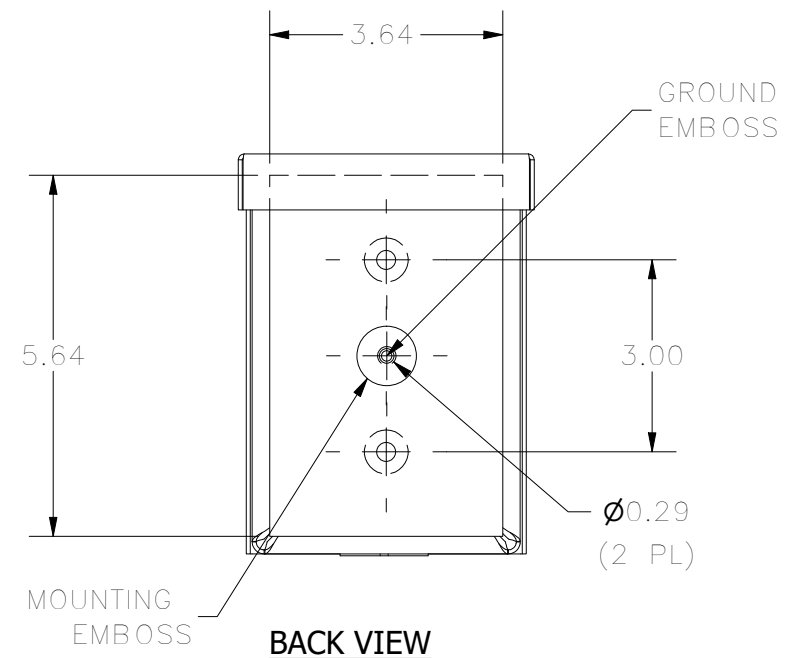
**TOP VIEW**



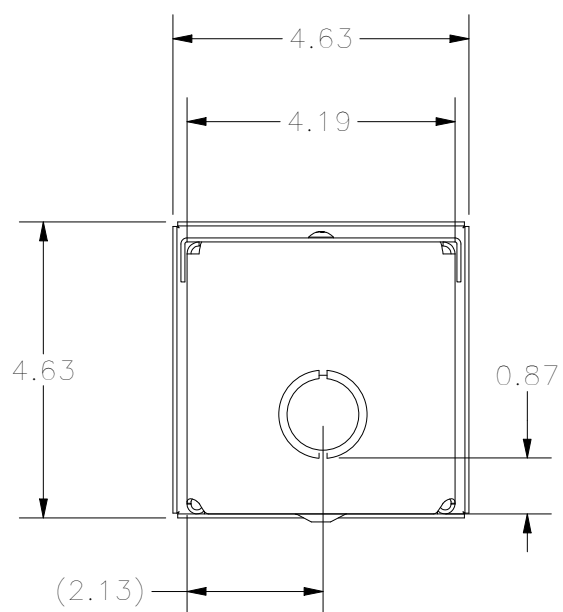
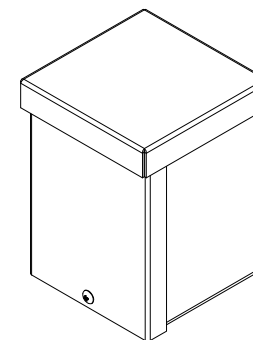
**FRONT VIEW**



**RIGHT VIEW**



**BACK VIEW**



**BOTTOM VIEW**

| KNOCK OUT SIZE |              |
|----------------|--------------|
| LETTER         | SIZES        |
| A              | 1/2" TO 3/4" |
| B              | 3/4" TO 1"   |
| F              | 1" TO 1-1/4" |

PART #:RSC040604

(DATA SUBJECT TO CHANGE WITHOUT NOTICE)

THIS DRAWING IS THE PROPERTY OF HUBBELL INC. WIEGMANN  
ALL INFORMATION IS PROPRIETARY AND NOT TO BE DUPLICATED