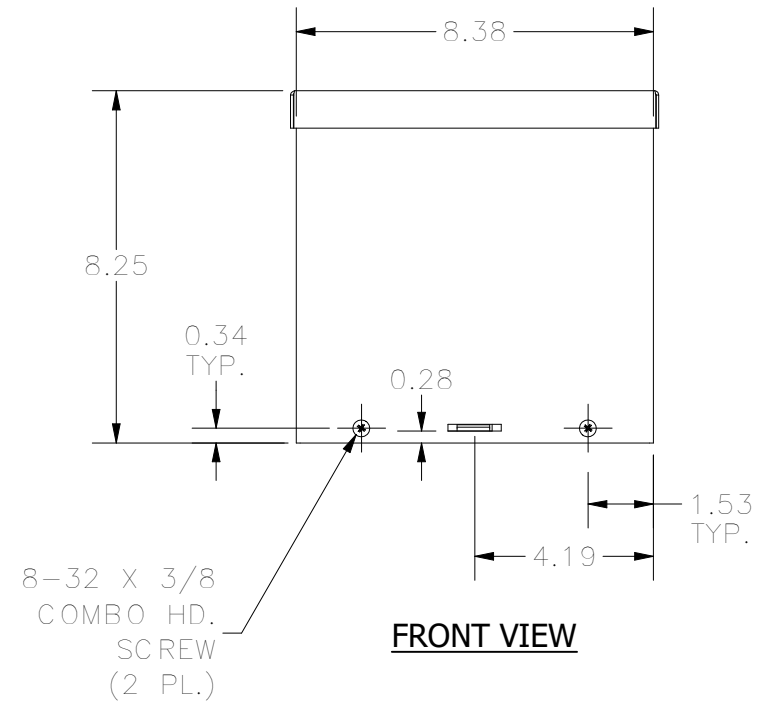
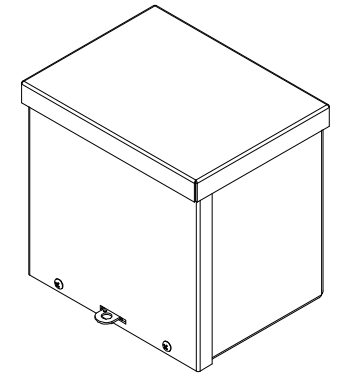
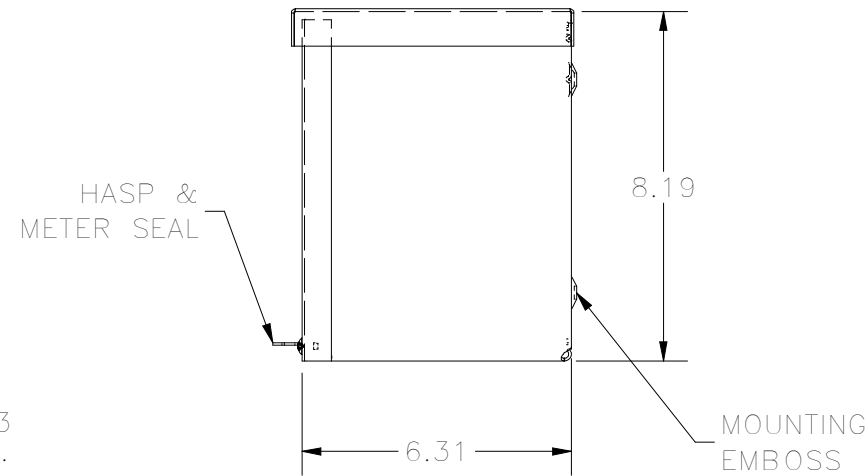


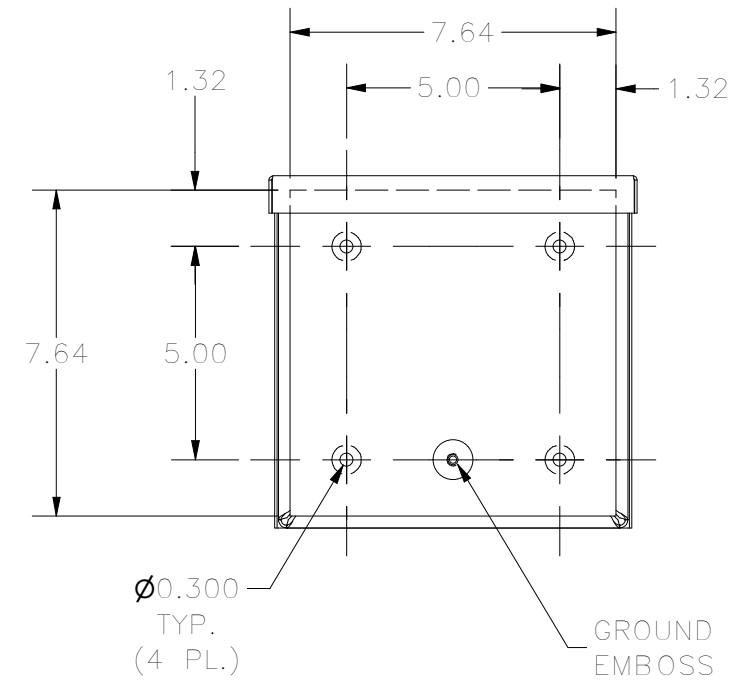
**TOP VIEW**



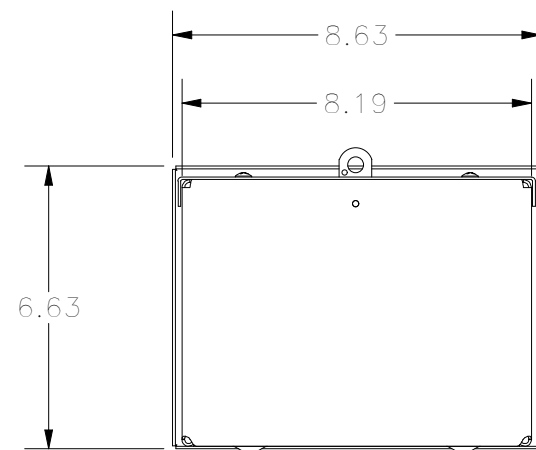
**FRONT VIEW**



**RIGHT VIEW**



**BACK VIEW**



**BOTTOM VIEW**

PART #:080806GNK  
(DATA SUBJECT TO CHANGE WITHOUT NOTICE)  
THIS DRAWING IS THE PROPERTY OF HUBBELL INC. WIEGMANN  
ALL INFORMATION IS PROPRIETARY AND NOT TO BE DUPLICATED