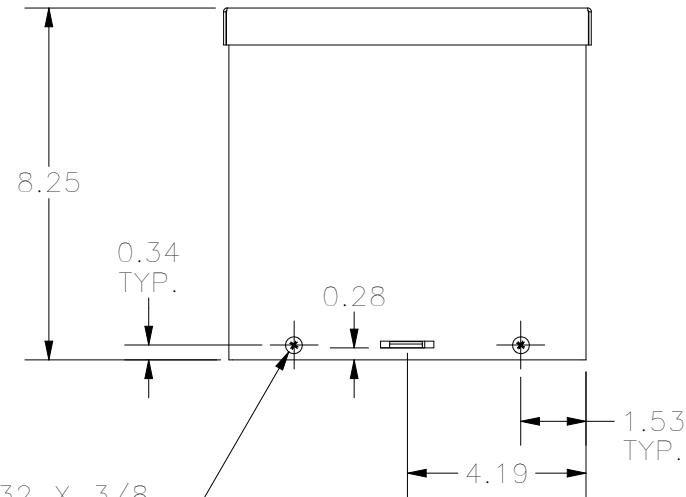
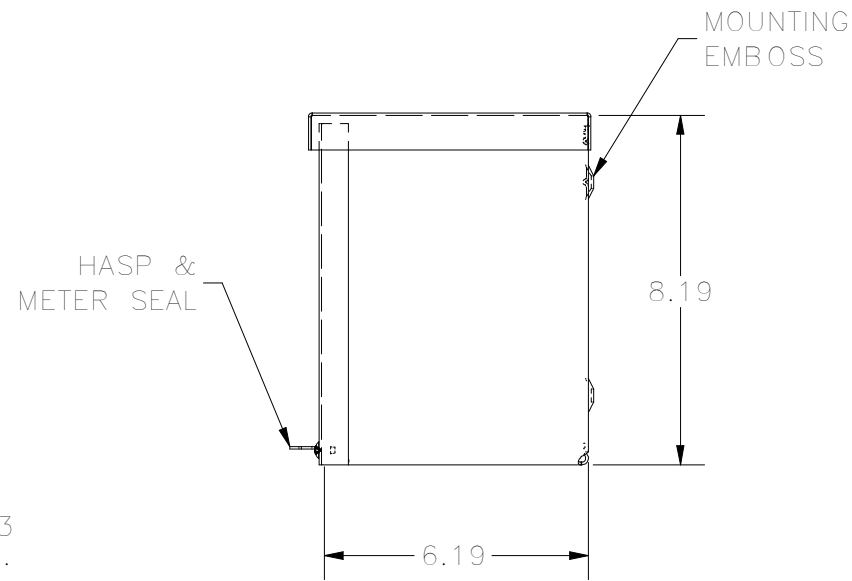


TOP VIEW



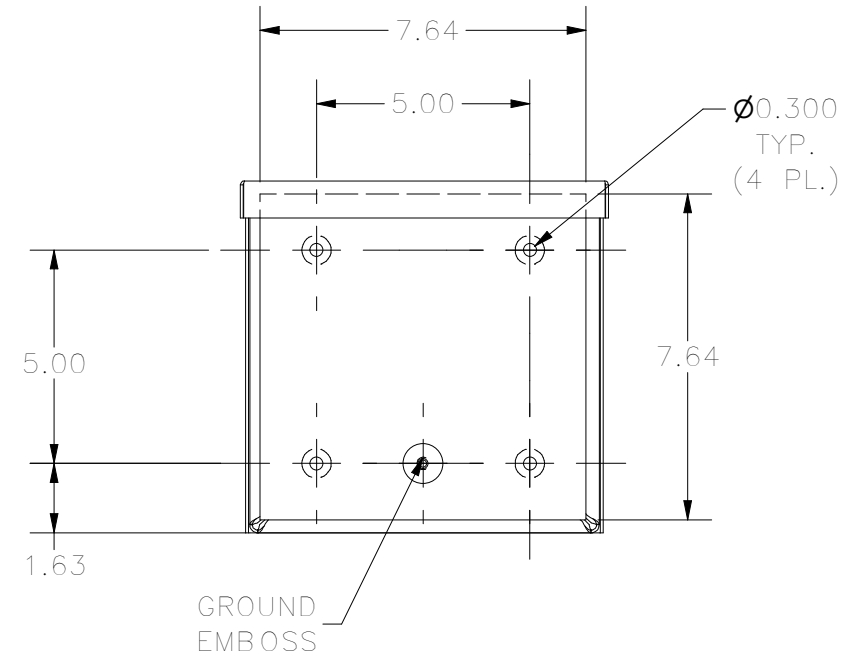
FRONT VIEW

8-32 X 3/8
COMBO HD.
SCREW
(2 PL.)



RIGHT VIEW

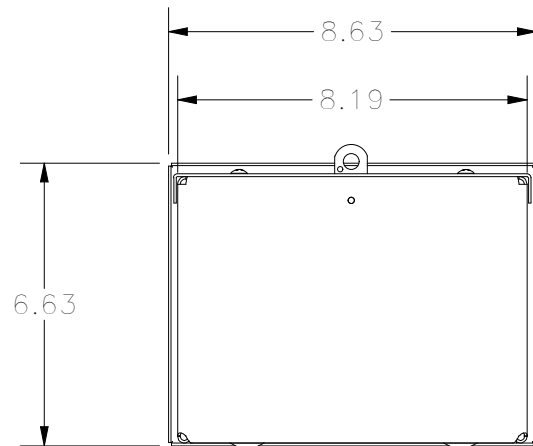
MOUNTING
EMBOSS



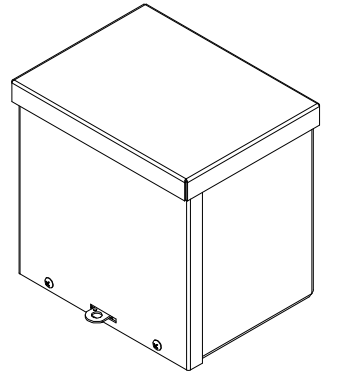
BACK VIEW

Ø0.300
TYP.
(4 PL.)

GROUND
EMBOSS



BOTTOM VIEW



PART #:080806NK
(DATA SUBJECT TO CHANGE WITHOUT NOTICE)
THIS DRAWING IS THE PROPERTY OF HUBBELL INC. WIEGMANN
ALL INFORMATION IS PROPRIETARY AND NOT TO BE DUPLICATED