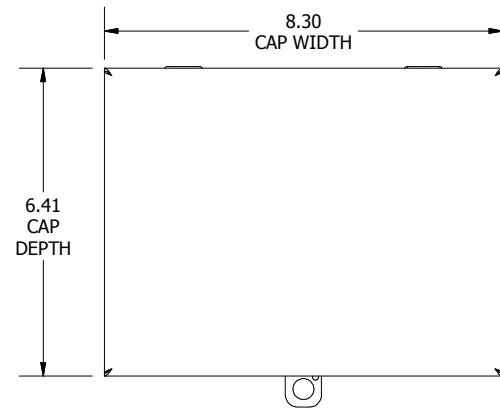
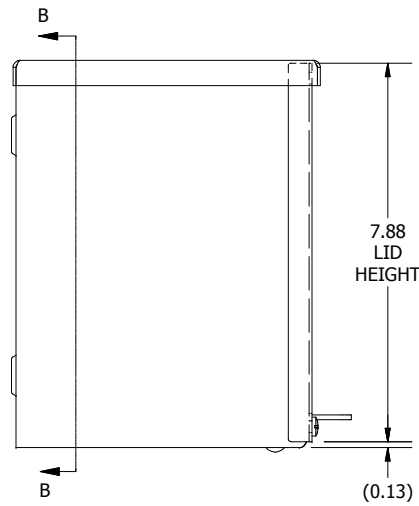


**PART#: RSC080806NKSS**  
**(DATA SUBJECT TO CHANGE WITHOUT NOTICE)**

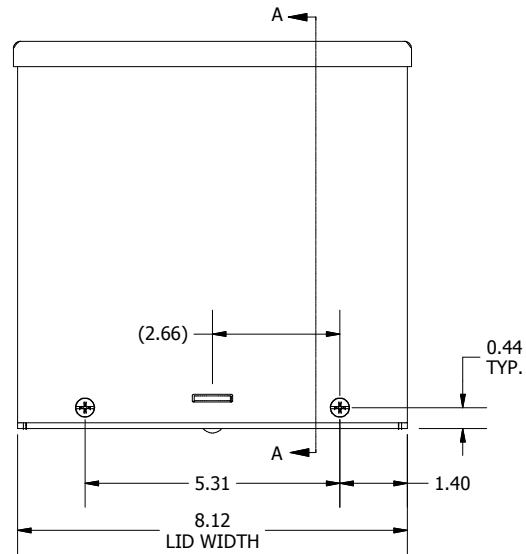
THIS DRAWING IS PROPERTY OF HUBBELL INC. WIEGMANN  
 ALL INFORMATION IS PROPRIETARY AND NOT TO BE DUPLICATED



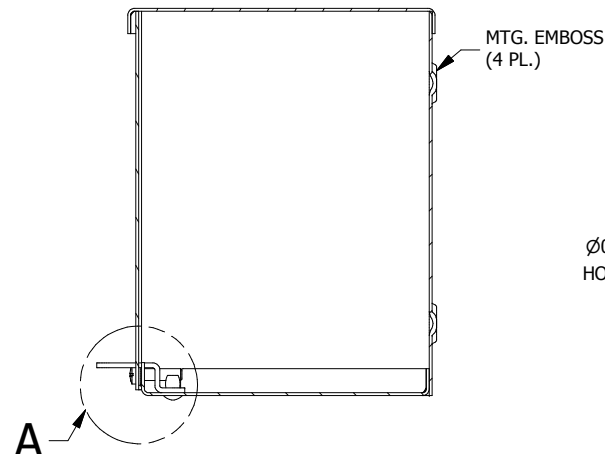
**TOP VIEW**



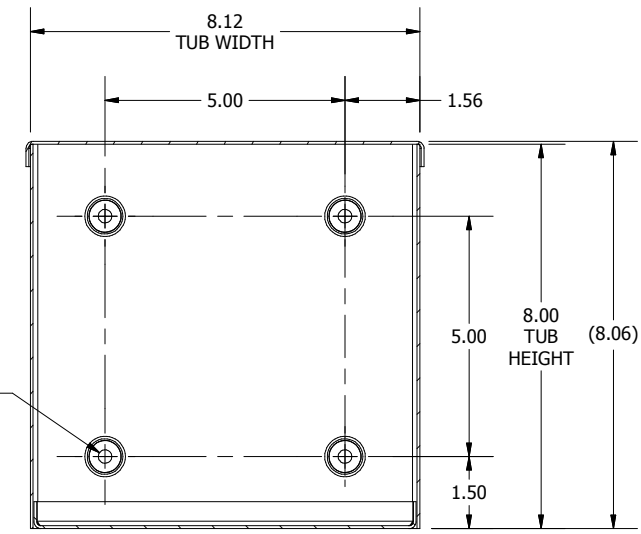
**LEFT SIDE VIEW**



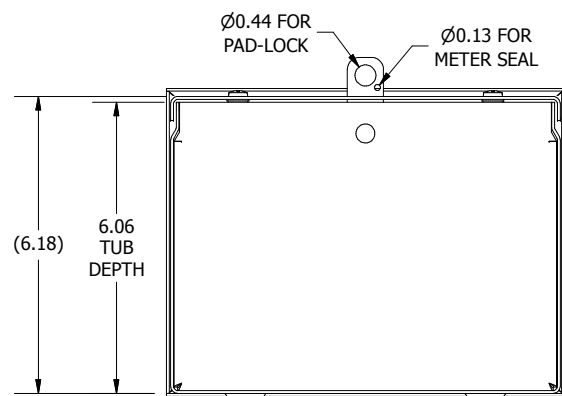
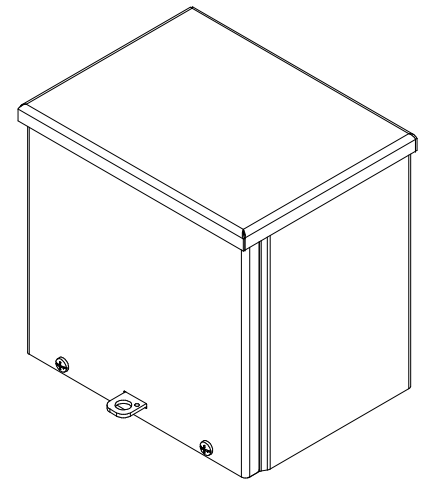
**FRONT VIEW**



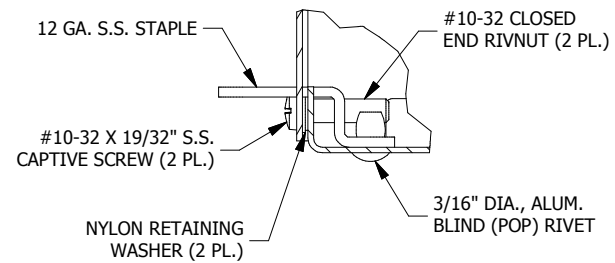
**SECTION A-A**  
(INSIDE LEFT OF ENCL.)



**SECTION B-B**  
(INSIDE BACK OF ENCL.)



**BOTTOM VIEW**



**DETAIL A**  
(STAPLE & SCREW DETAIL)

