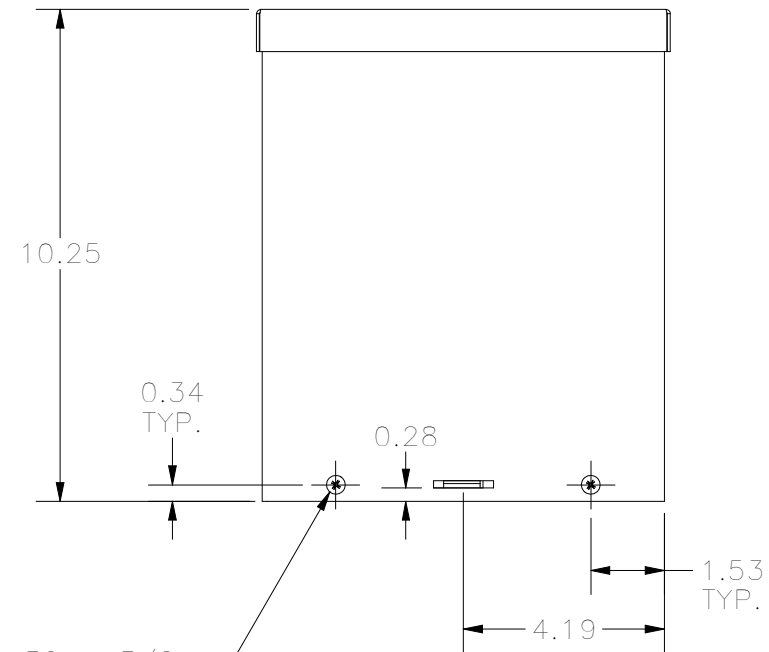
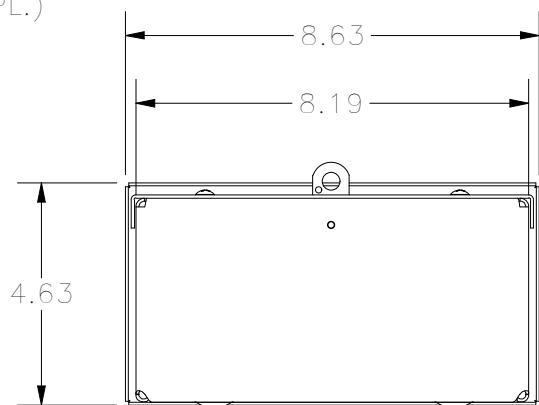


**TOP VIEW**

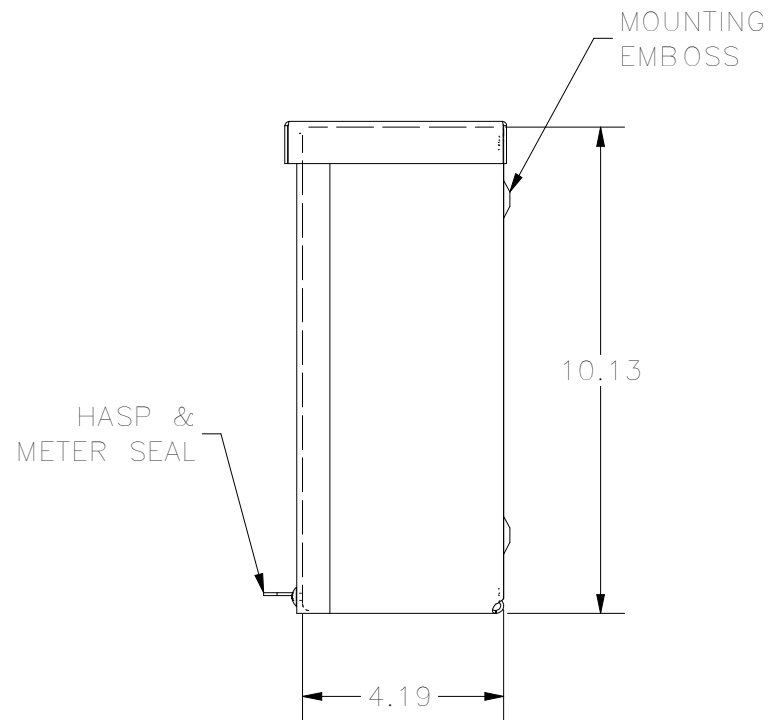


8-32 X 3/8  
COMBO HD.  
SCREW  
(2 PL.)

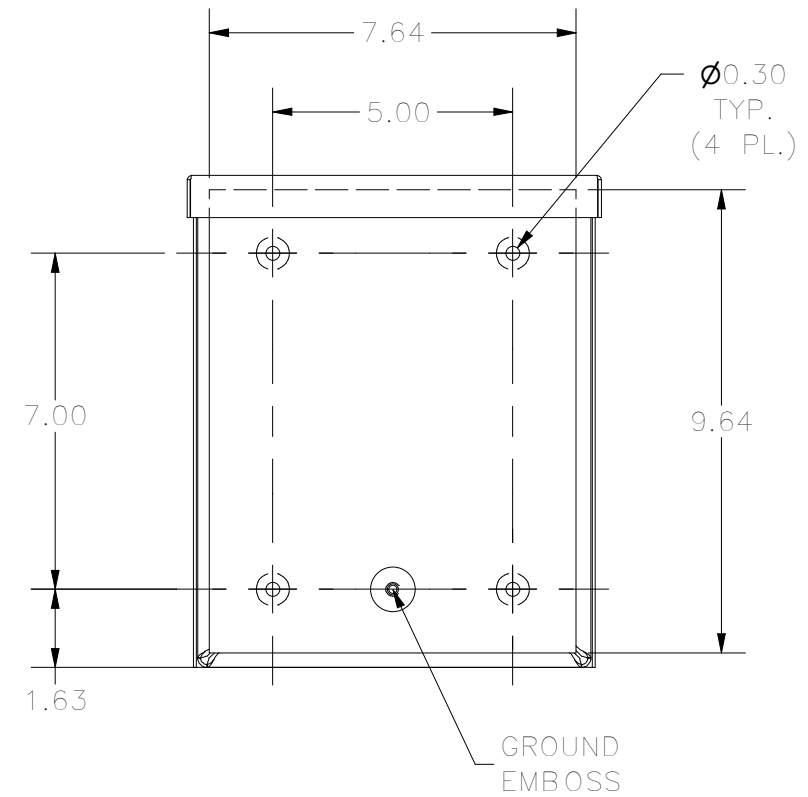
**FRONT VIEW**



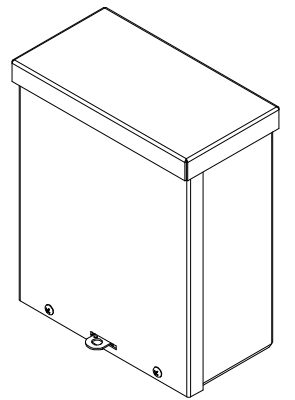
**BOTTOM VIEW**



**RIGHT VIEW**



**BACK VIEW**



PART #:081004NK  
(DATA SUBJECT TO CHANGE WITHOUT NOTICE)  
THIS DRAWING IS THE PROPERTY OF HUBBELL INC. WIEGMANN  
ALL INFORMATION IS PROPRIETARY AND NOT TO BE DUPLICATED