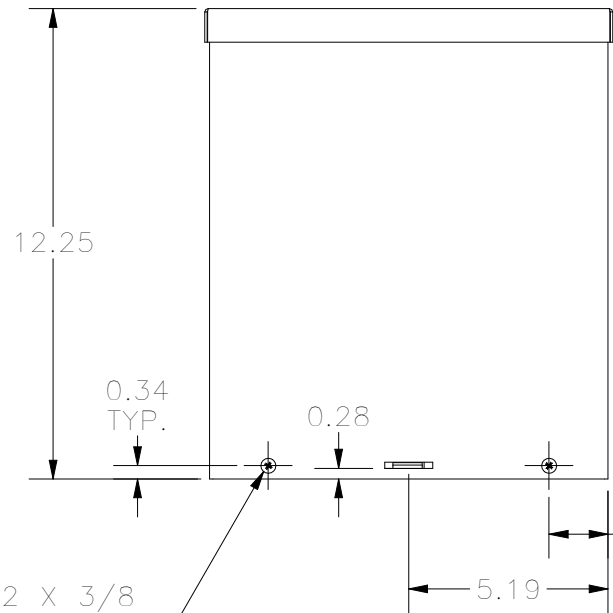


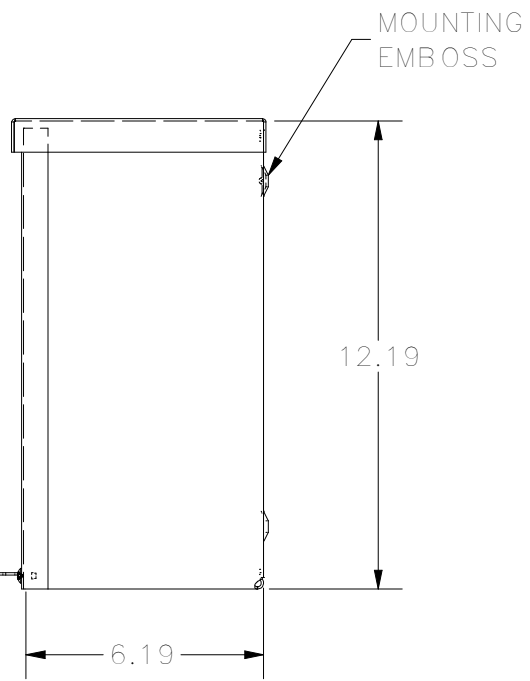
TOP VIEW



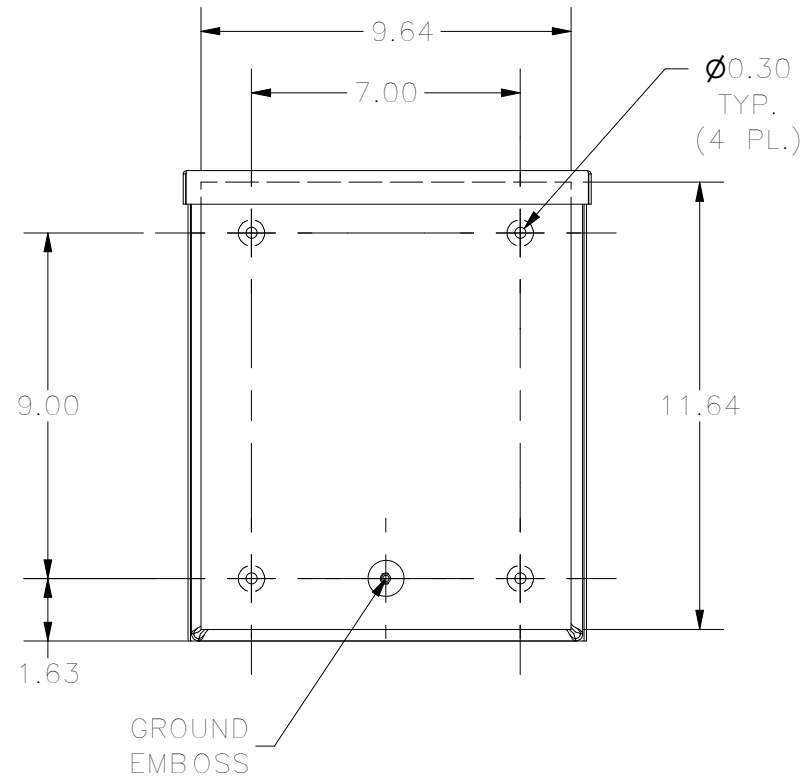
FRONT VIEW

8-32 X 3/8
COMBO HD.
SCREW
(2 PL.)

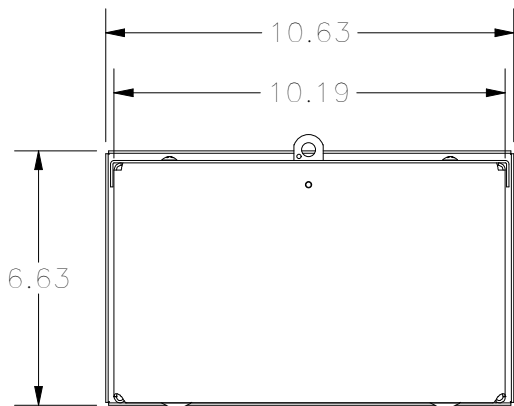
HASP &
METER SEAL



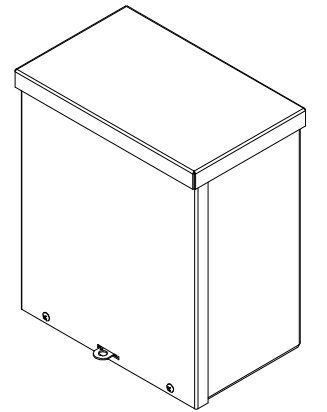
RIGHT VIEW



BACK VIEW



BOTTOM VIEW



PART #:101206NK
(DATA SUBJECT TO CHANGE WITHOUT NOTICE)
THIS DRAWING IS THE PROPERTY OF HUBBELL INC. WIEGMANN
ALL INFORMATION IS PROPRIETARY AND NOT TO BE DUPLICATED