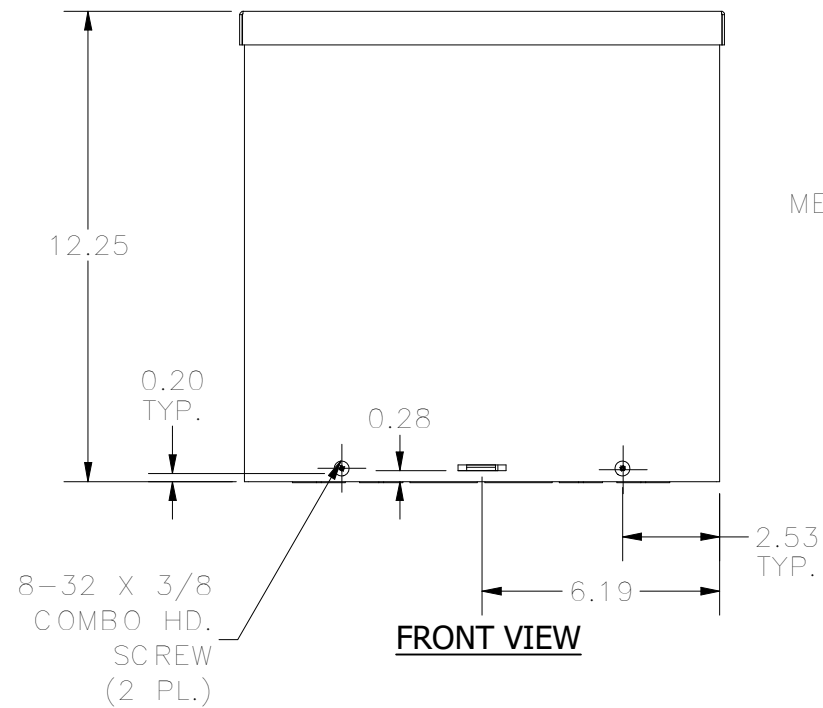
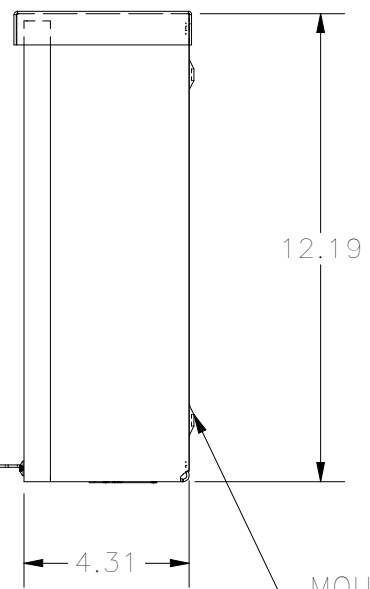


**TOP VIEW**



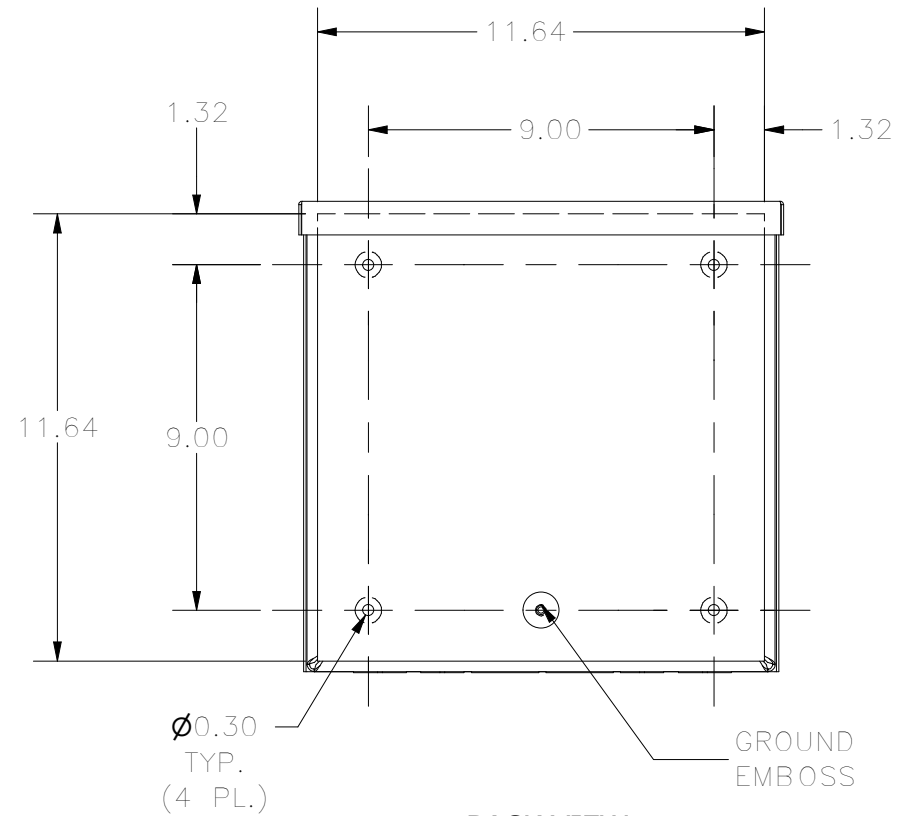
**FRONT VIEW**

HASP &  
METER SEAL



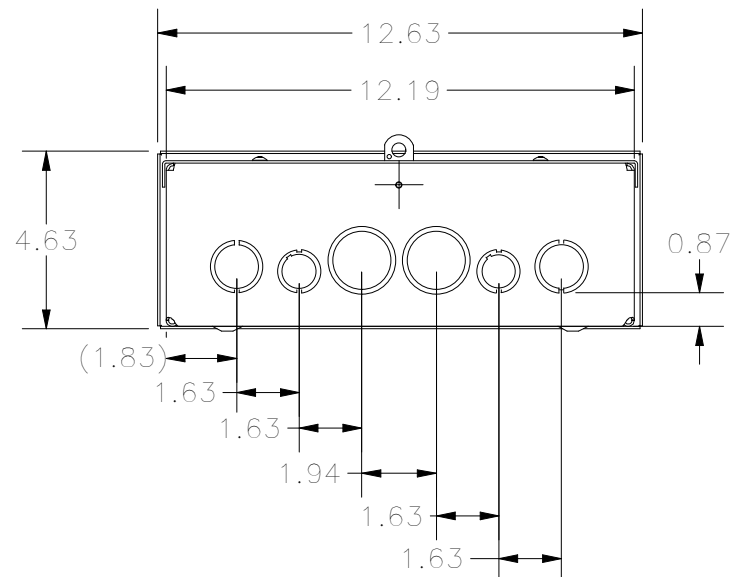
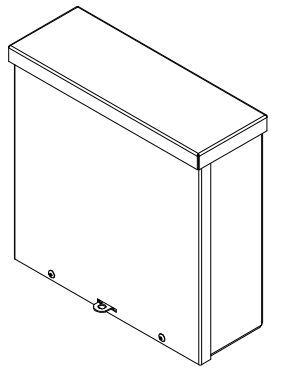
**RIGHT VIEW**

MOUNTING  
EMBOSS



**BACK VIEW**

GROUND  
EMBOSS



**BOTTOM VIEW**

KNOCK OUT SIZE	
LETTER	SIZES
A	1/2" TO 3/4"
B	3/4" TO 1"
F	1" TO 1-1/4"

PART #:RSC121204G

(DATA SUBJECT TO CHANGE WITHOUT NOTICE)

THIS DRAWING IS THE PROPERTY OF HUBBELL INC. WIEGMANN  
ALL INFORMATION IS PROPRIETARY AND NOT TO BE DUPLICATED