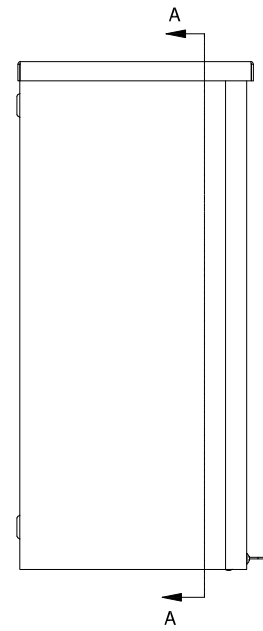
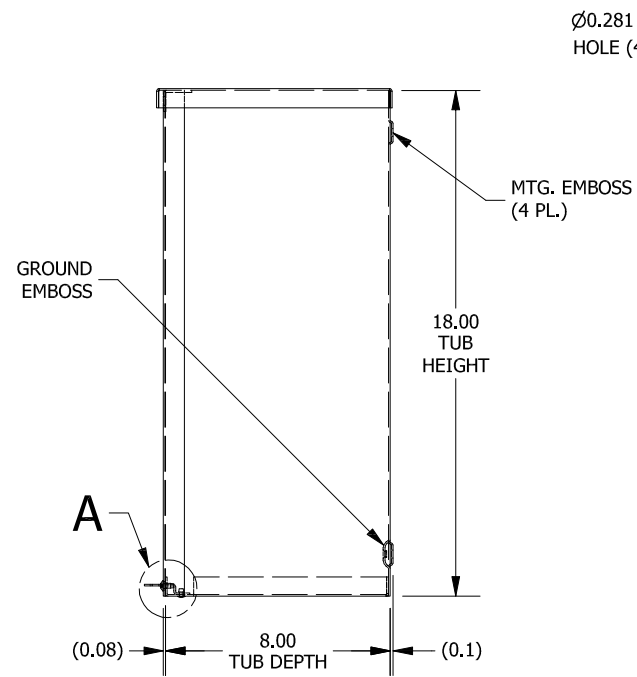


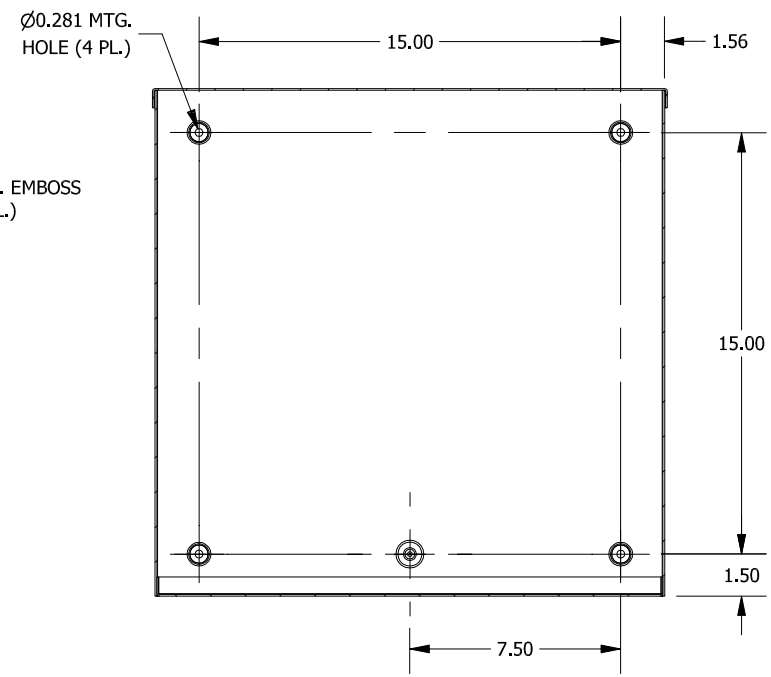
**BOTTOM VIEW**



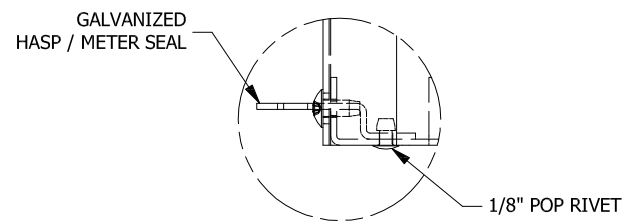
**LEFT SIDE VIEW**



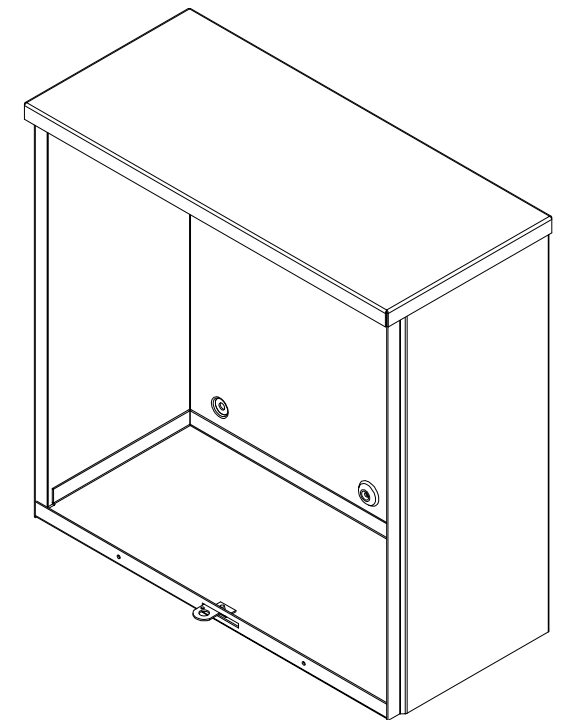
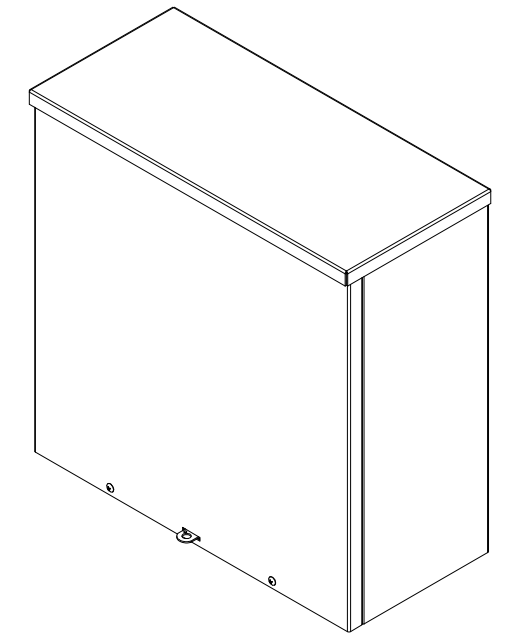
**RIGHT SIDE VIEW**



**SECTION A-A  
(INSIDE BACK OF ENCL.)**



**DETAIL A  
(METER SEAL DETAIL)**



PART#: RSC181808G  
(DATA SUBJECT TO CHANGE WITHOUT NOTICE)

THIS DRAWING IS PROPERTY OF HUBBELL INC. WIEGMANN  
ALL INFORMATION IS PROPRIETARY AND NOT TO BE DUPLICATED