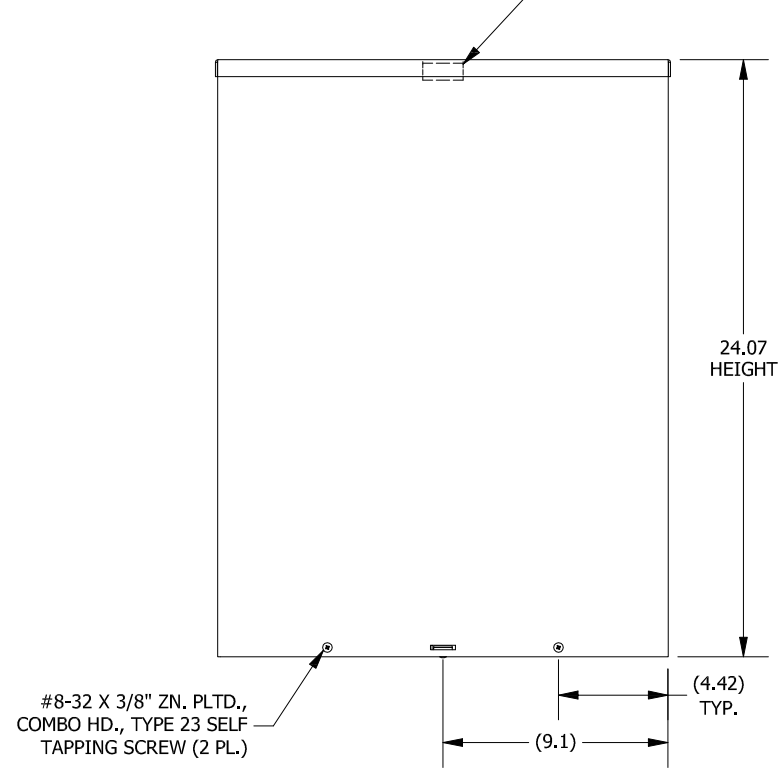
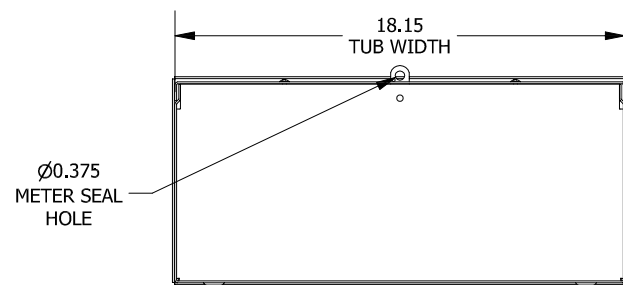


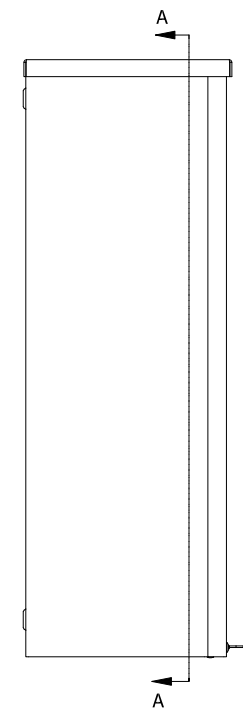
TOP VIEW



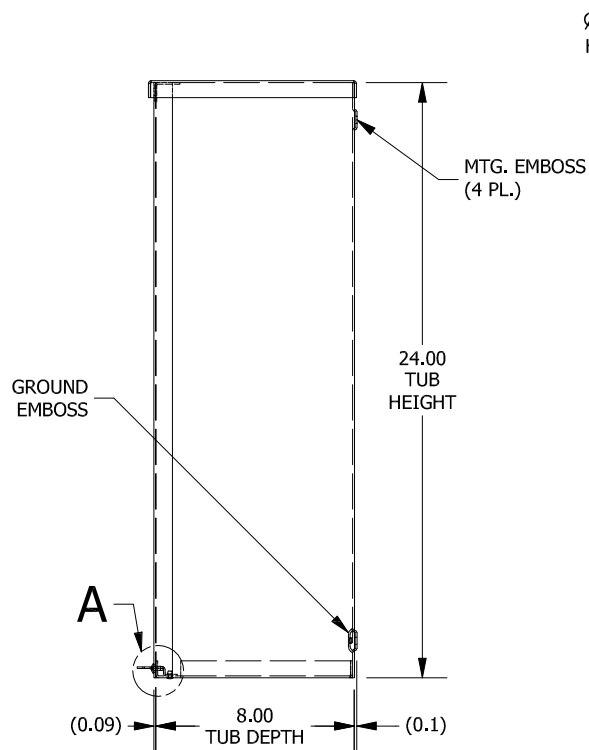
FRONT VIEW



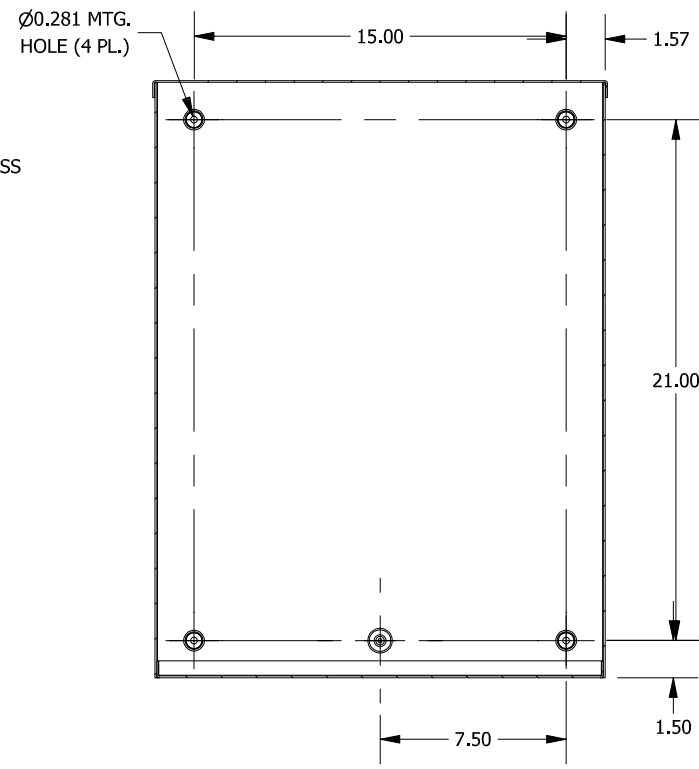
BOTTOM VIEW



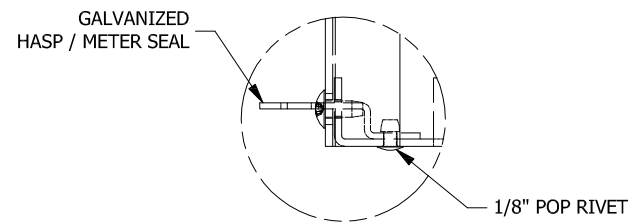
LEFT SIDE VIEW



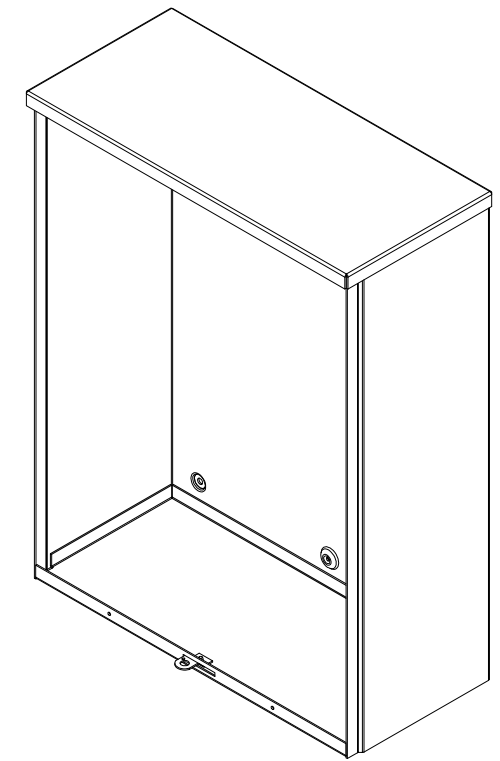
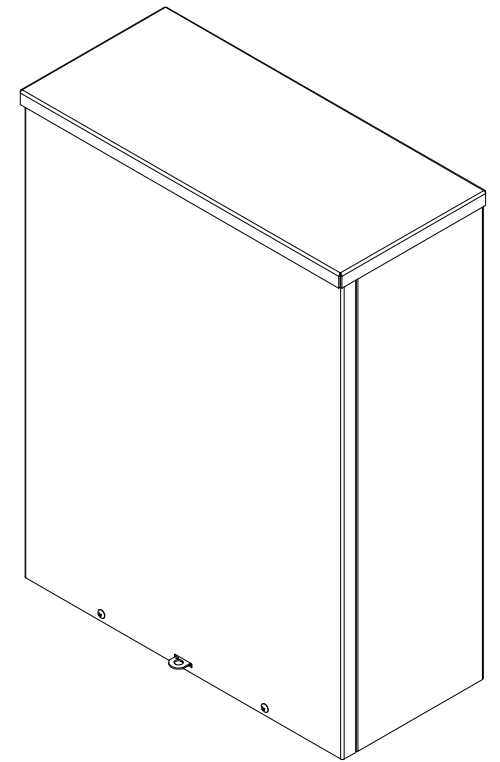
RIGHT SIDE VIEW



**SECTION A-A
(INSIDE BACK OF ENCL.)**



**DETAIL A
(METER SEAL DETAIL)**



PART#: RSC182408
(DATA SUBJECT TO CHANGE WITHOUT NOTICE)

THIS DRAWING IS PROPERTY OF HUBBELL INC. WIEGMANN
ALL INFORMATION IS PROPRIETARY AND NOT TO BE DUPLICATED