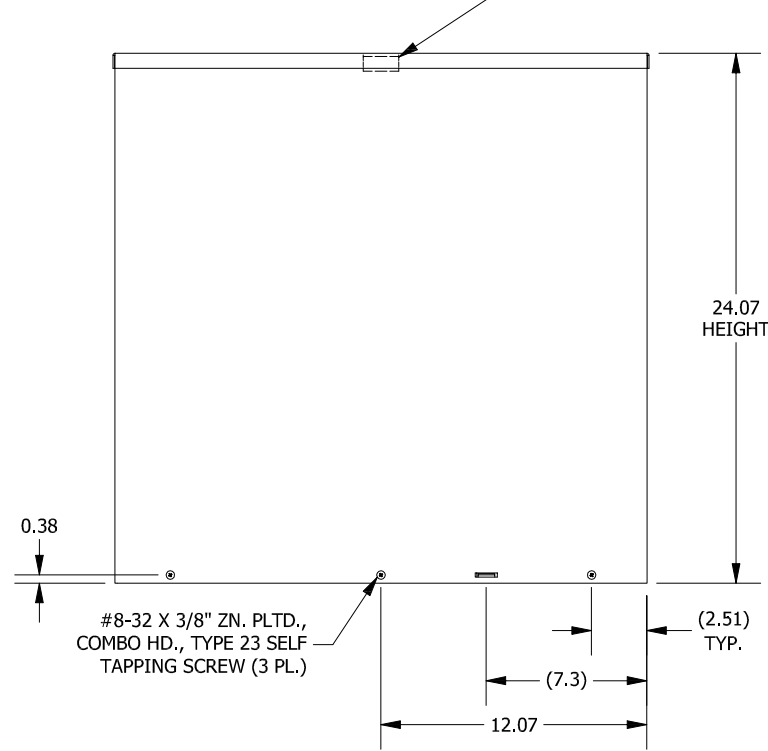


TOP VIEW

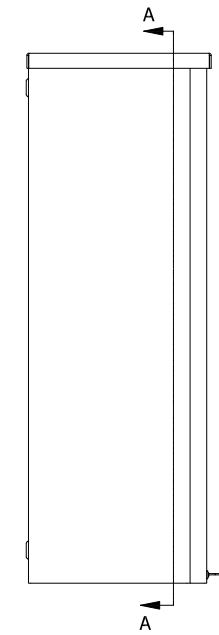
LID BRACKET SPOT WELDED TO CAP



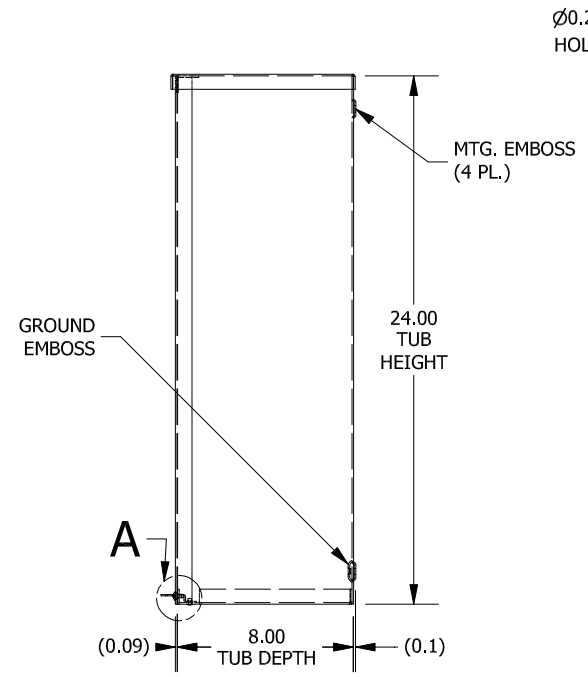
FRONT VIEW

#8-32 X 3/8" ZN. PLTD., COMBO HD., TYPE 23 SELF TAPPING SCREW (3 PL.)

(2.51) TYP.



LEFT SIDE VIEW



RIGHT SIDE VIEW

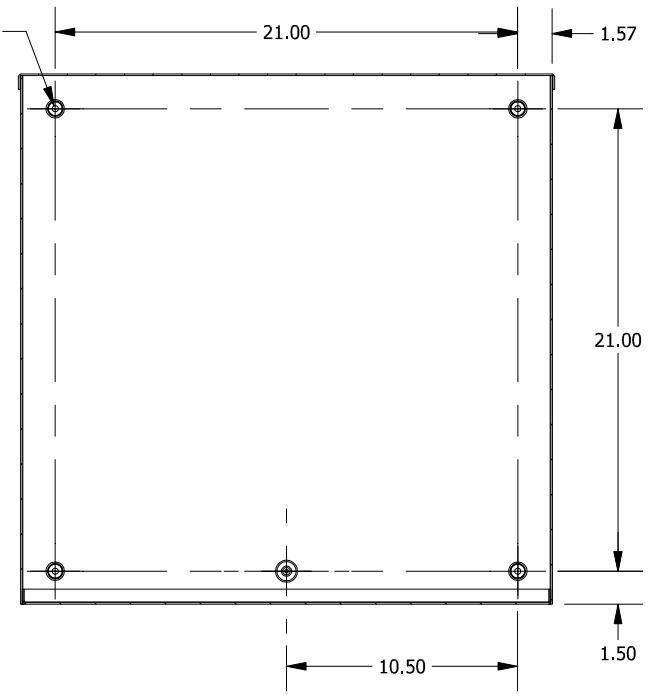
Ø0.281 MTG. HOLE (4 PL.)

MTG. EMBOSS (4 PL.)

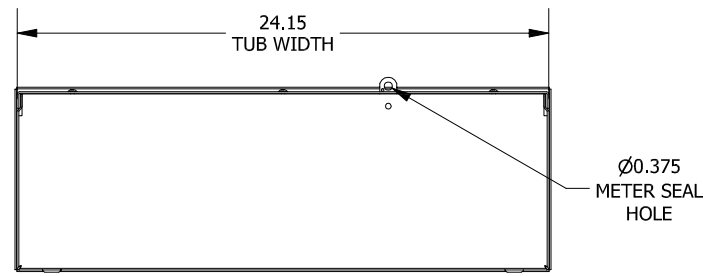
GROUND EMBOSS

A

(0.09) 8.00 TUB DEPTH (0.1)

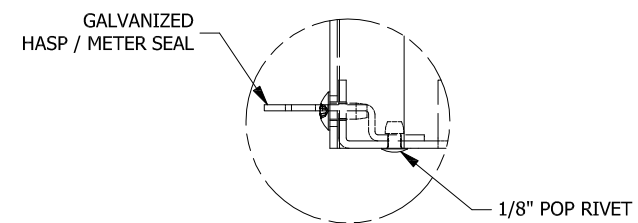


SECTION A-A (INSIDE BACK OF ENCL.)

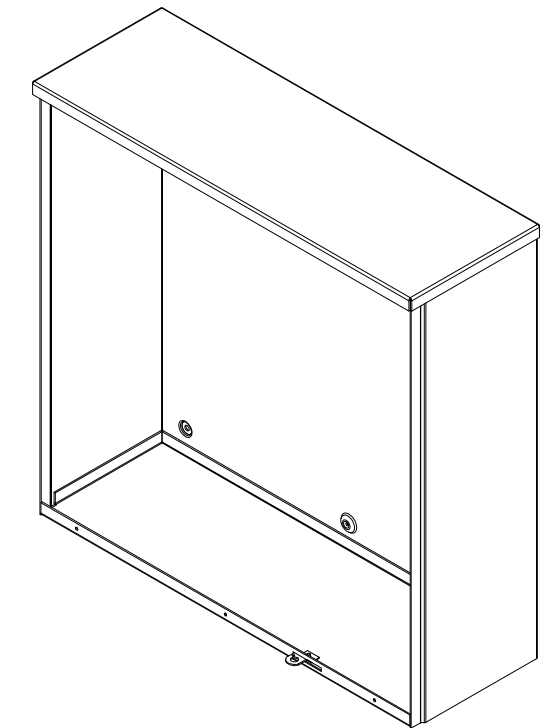
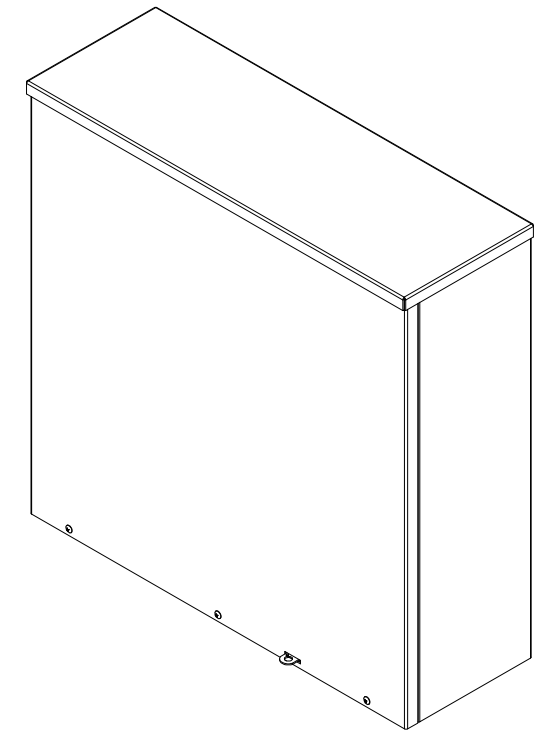


BOTTOM VIEW

Ø0.375 METER SEAL HOLE



DETAIL A (METER SEAL DETAIL)



PART#: RSC242408G
 (DATA SUBJECT TO CHANGE WITHOUT NOTICE)

THIS DRAWING IS PROPERTY OF HUBBELL INC. WIEGMANN
 ALL INFORMATION IS PROPRIETARY AND NOT TO BE DUPLICATED