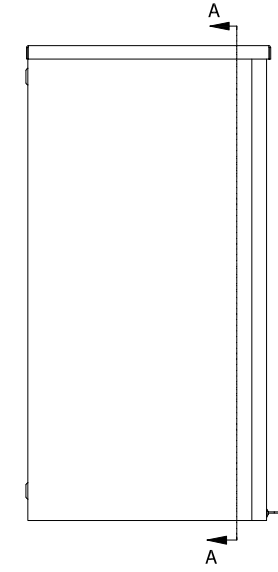
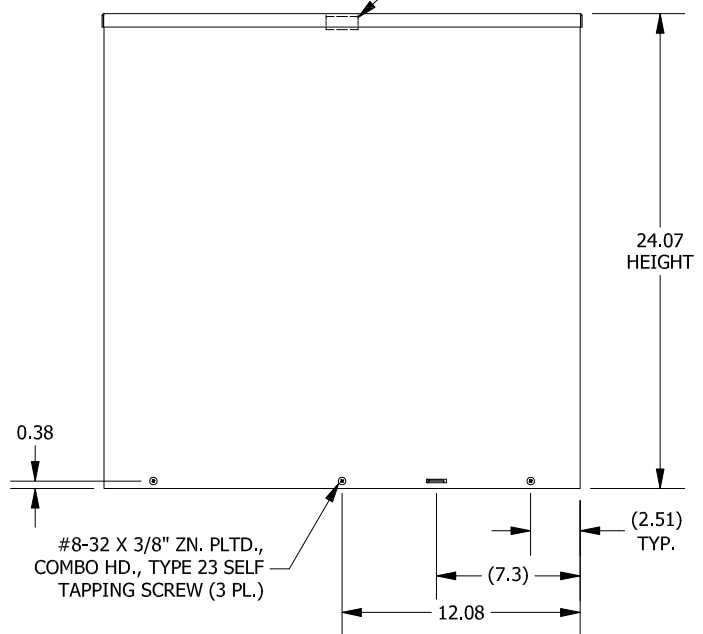


TOP VIEW

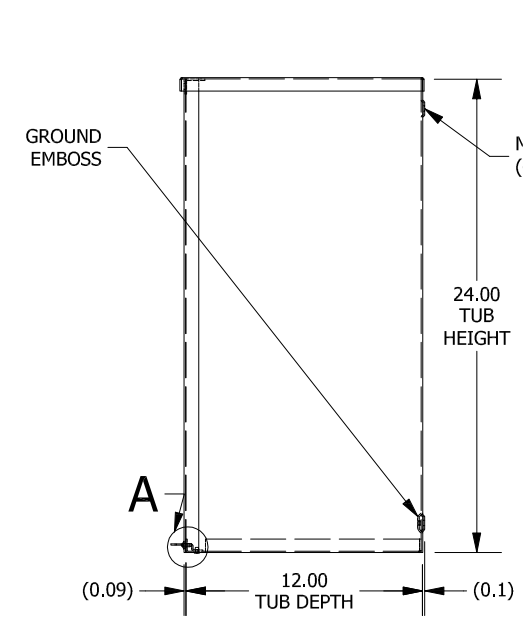
LID BRACKET SPOT
WELDED TO CAP



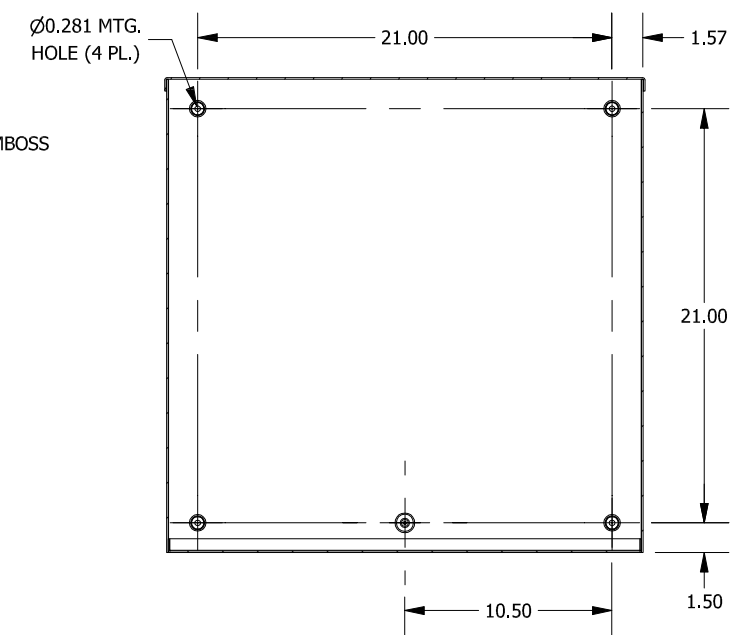
LEFT SIDE VIEW



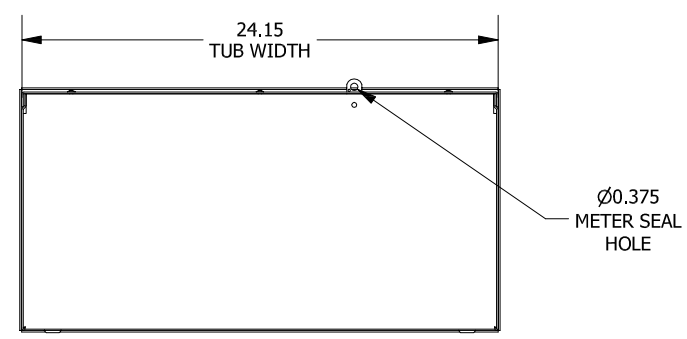
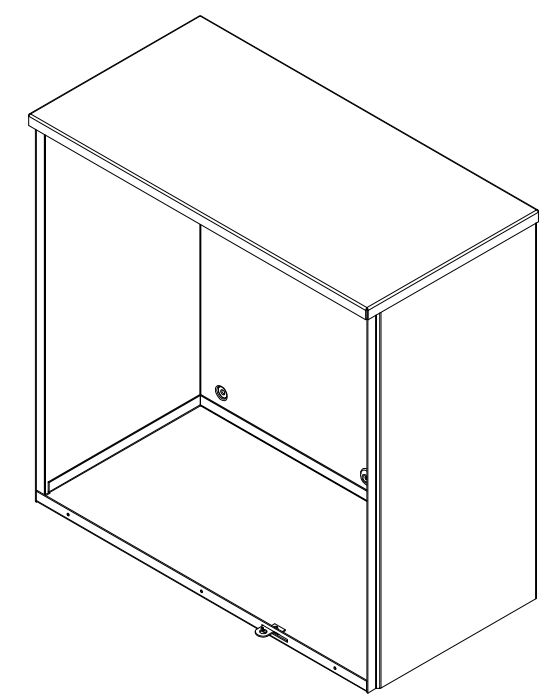
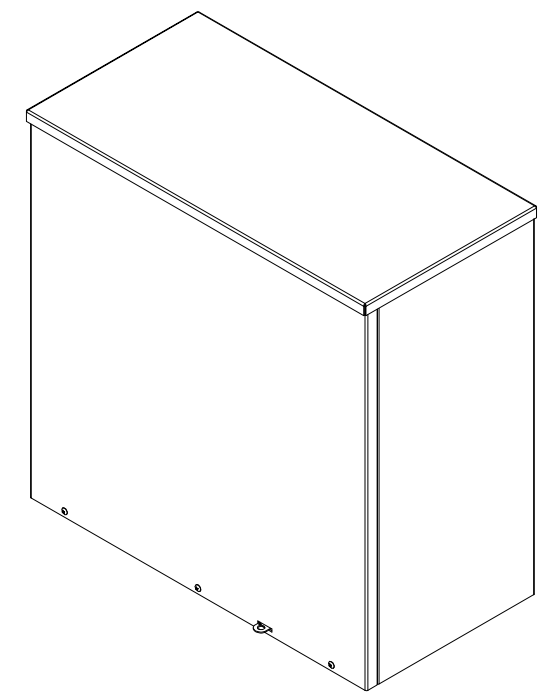
FRONT VIEW



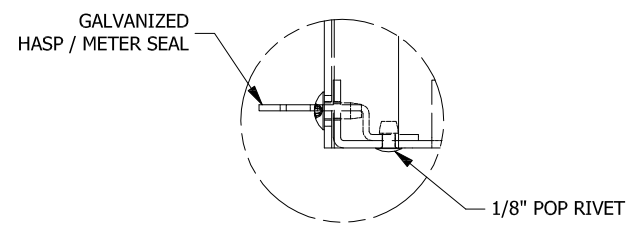
RIGHT SIDE VIEW



**SECTION A-A
(INSIDE BACK OF ENCL.)**



BOTTOM VIEW



**DETAIL A
(METER SEAL DETAIL)**

PART#: RSC 242412G
(DATA SUBJECT TO CHANGE WITHOUT NOTICE)

THIS DRAWING IS PROPERTY OF HUBBELL INC. WIEGMANN
ALL INFORMATION IS PROPRIETARY AND NOT TO BE DUPLICATED