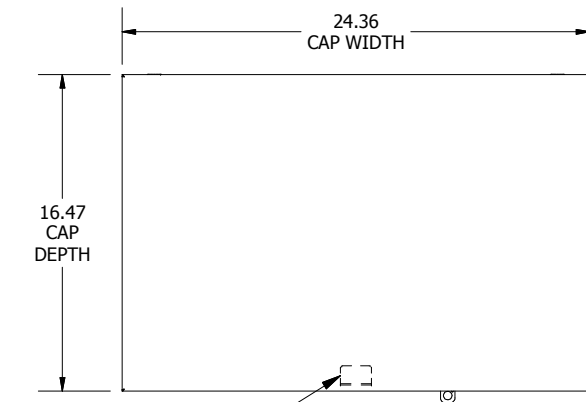


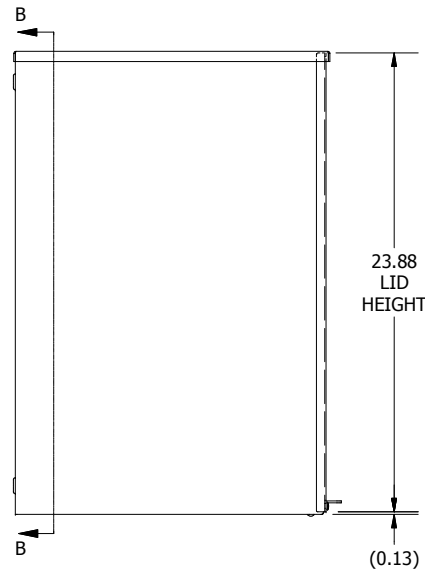
**PART#: RSC242416NKSS**  
**(DATA SUBJECT TO CHANGE WITHOUT NOTICE)**

THIS DRAWING IS PROPERTY OF HUBBELL INC. WIEGMANN  
 ALL INFORMATION IS PROPRIETARY AND NOT TO BE DUPLICATED

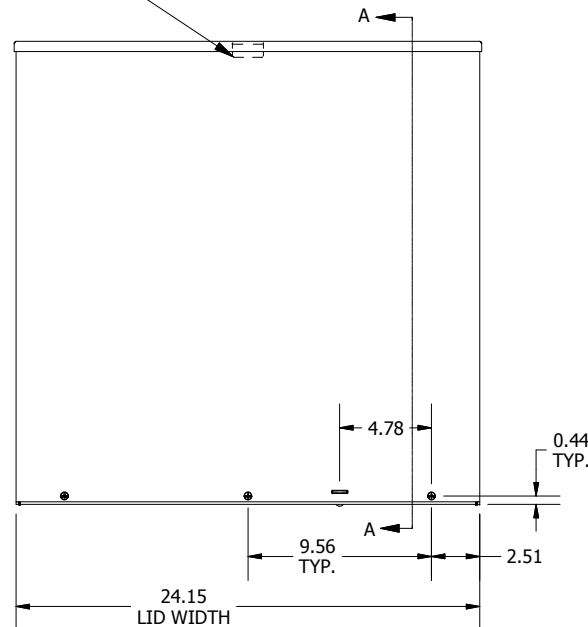


**TOP VIEW**

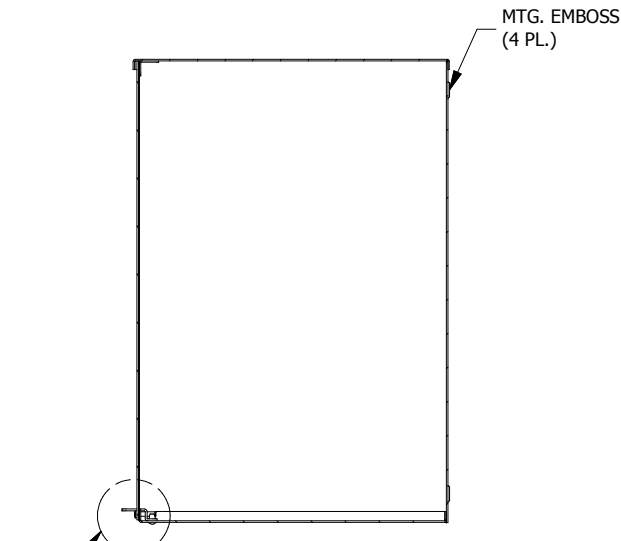
LID BRACKET  
 WELDED TO CAP



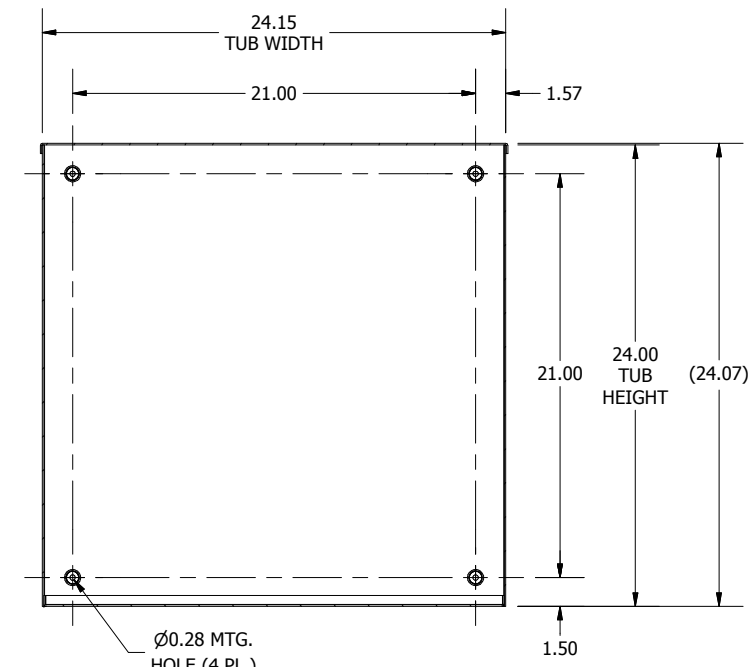
**LEFT SIDE VIEW**



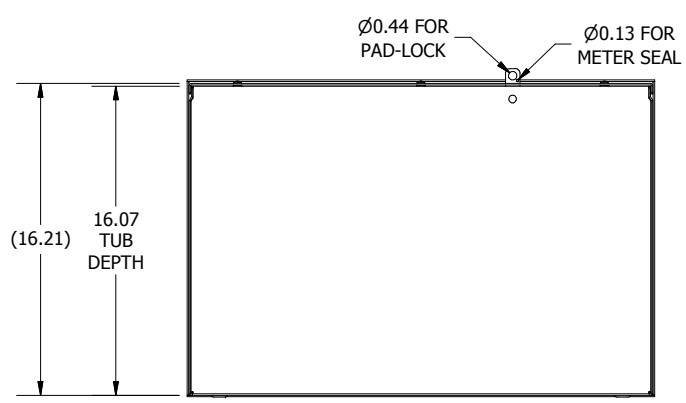
**FRONT VIEW**



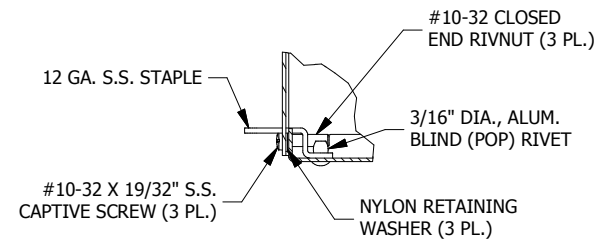
**SECTION A-A**  
 (INSIDE LEFT OF ENCL.)



**SECTION B-B**  
 (INSIDE BACK OF ENCL.)



**BOTTOM VIEW**



**DETAIL A**  
 (STAPLE & SCREW DETAIL)

