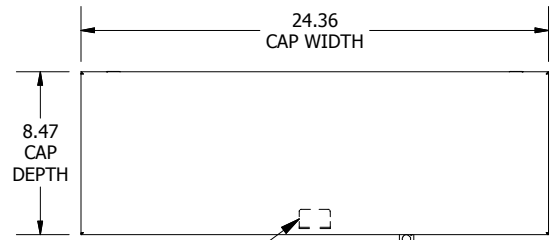


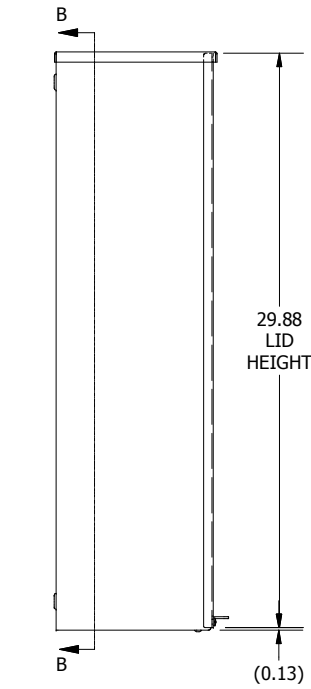
PART#: RSC243008NKSS
(DATA SUBJECT TO CHANGE WITHOUT NOTICE)

THIS DRAWING IS PROPERTY OF HUBBELL INC. WIEGMANN
 ALL INFORMATION IS PROPRIETARY AND NOT TO BE DUPLICATED

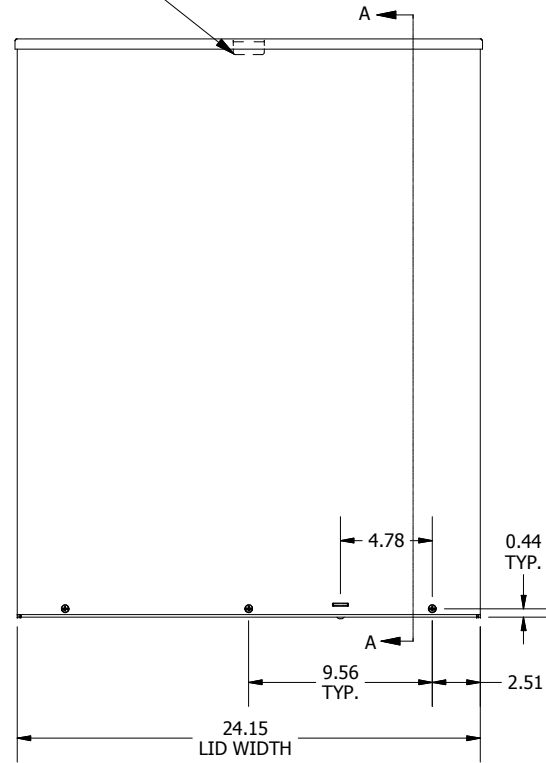


TOP VIEW

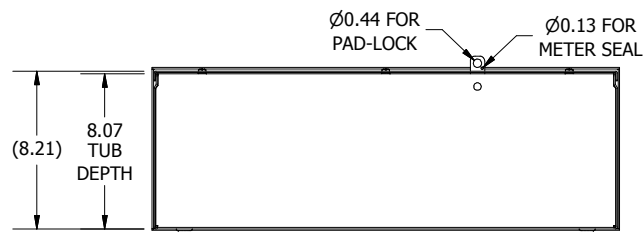
LID BRACKET
 WELDED TO CAP



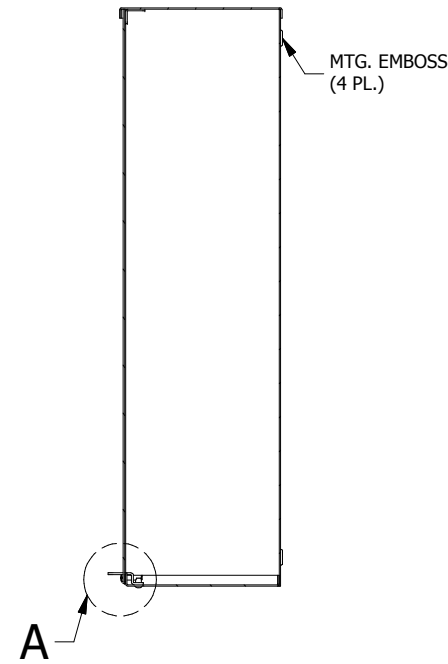
LEFT SIDE VIEW



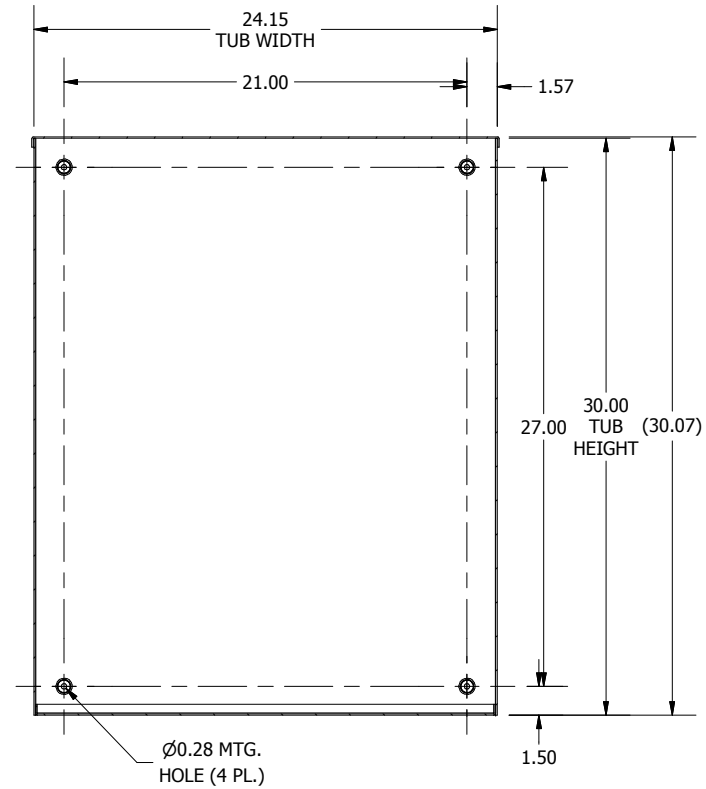
FRONT VIEW



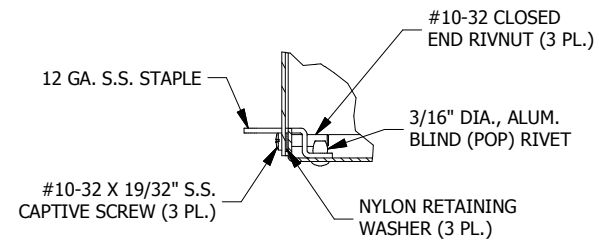
BOTTOM VIEW



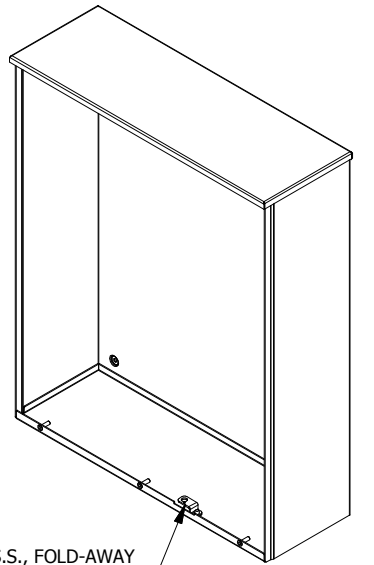
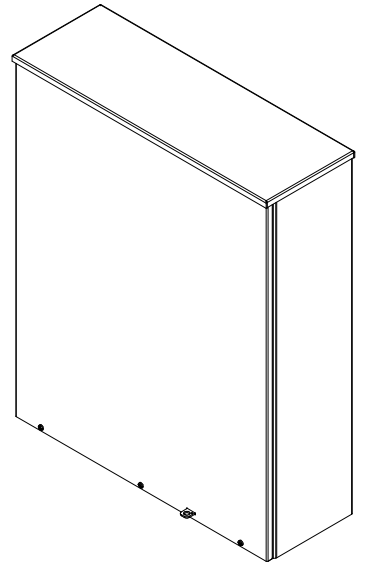
SECTION A-A
 (INSIDE LEFT OF ENCL.)



SECTION B-B
 (INSIDE BACK OF ENCL.)



DETAIL A
 (STAPLE & SCREW DETAIL)



12 GA. S.S., FOLD-AWAY
 STAPLE INSTALLED