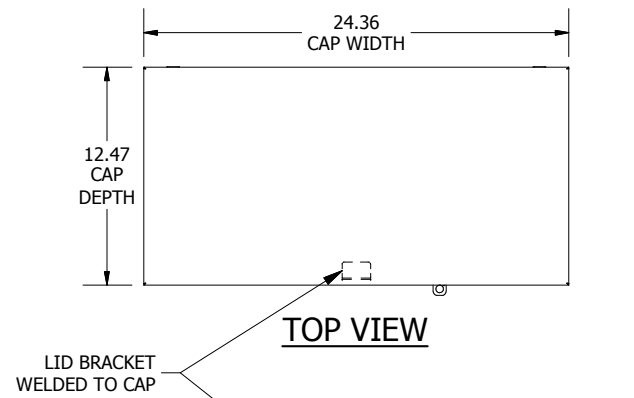
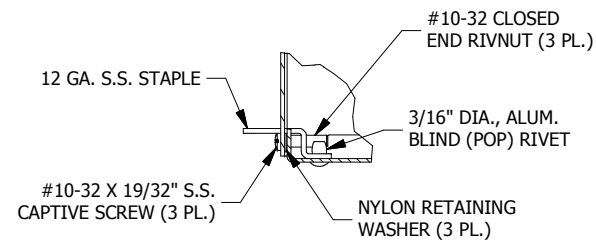
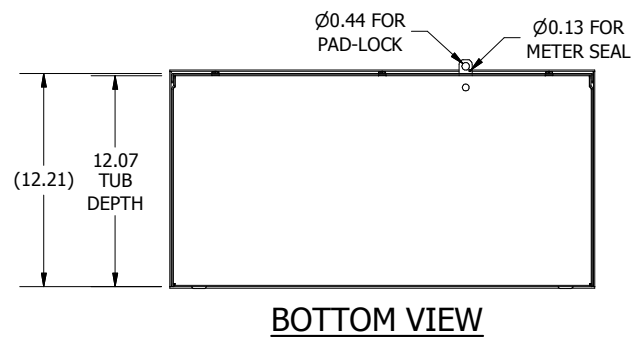
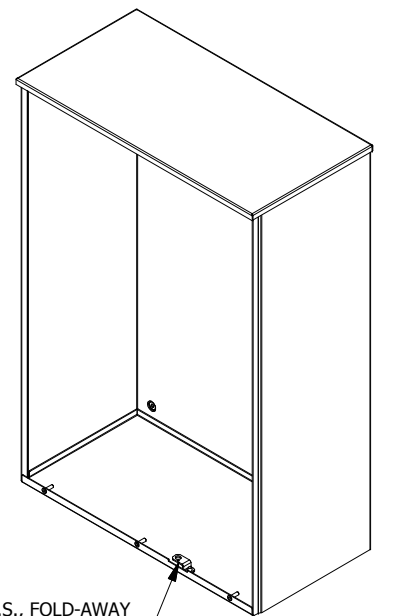
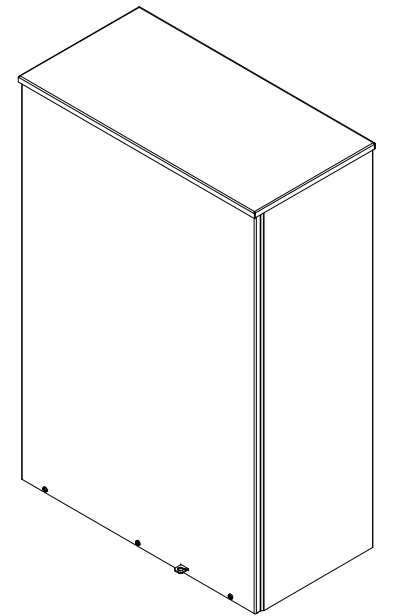
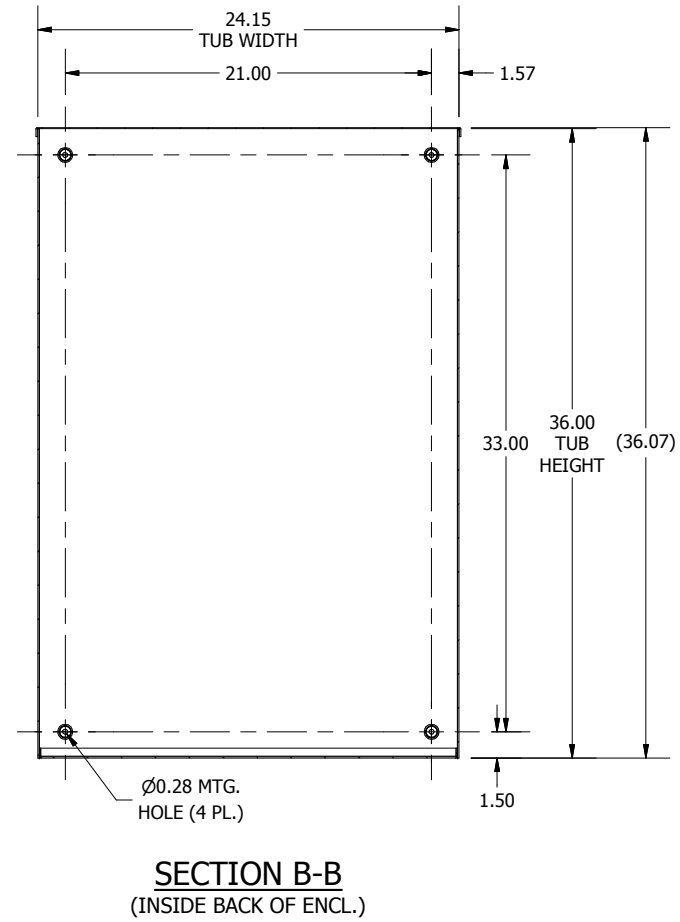
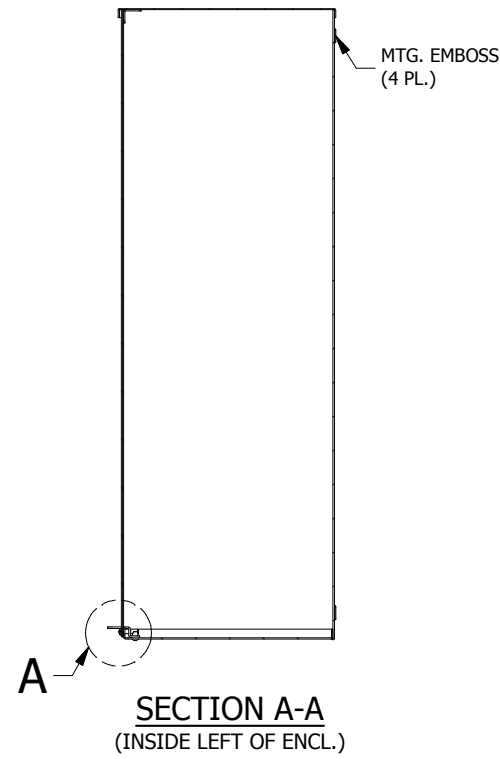
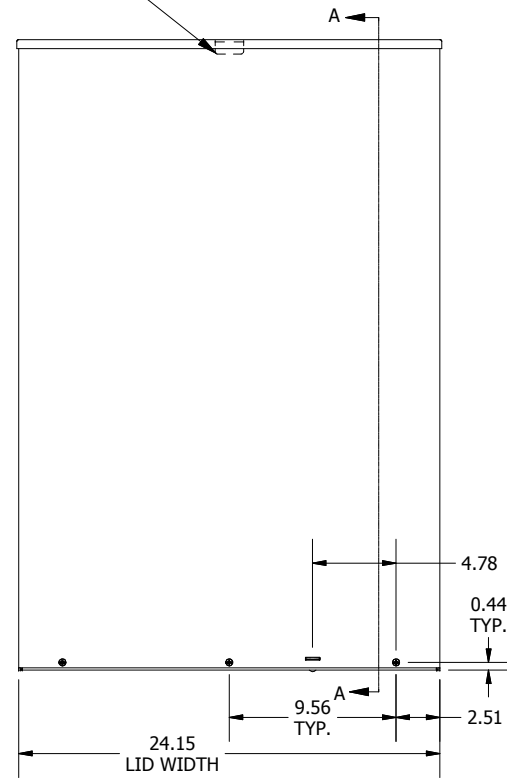
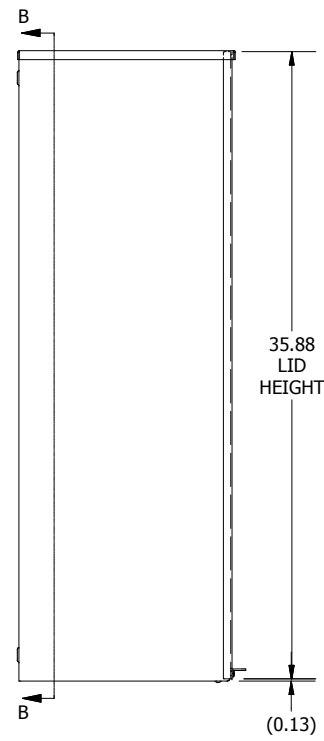


PART#: RSC243612NKSS
(DATA SUBJECT TO CHANGE WITHOUT NOTICE)

THIS DRAWING IS PROPERTY OF HUBBELL INC. WIEGMANN
 ALL INFORMATION IS PROPRIETARY AND NOT TO BE DUPLICATED



LID BRACKET
 WELDED TO CAP



DETAIL A
(STAPLE & SCREW DETAIL)