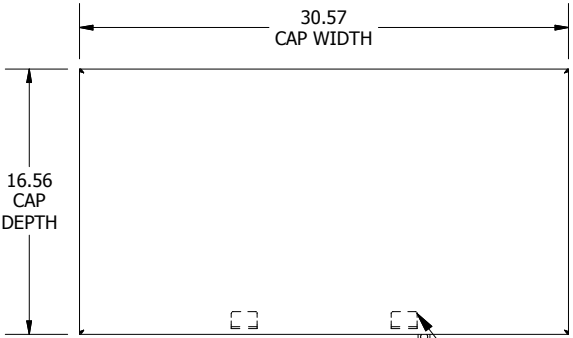


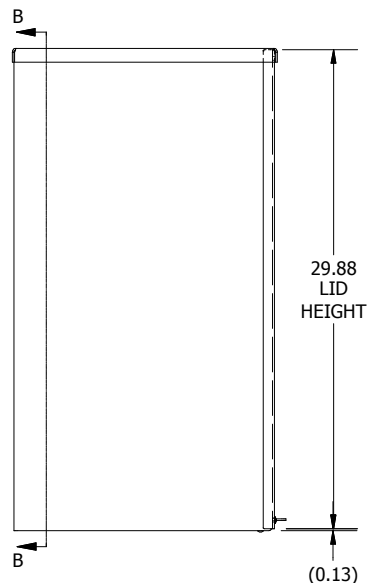
**PART#: RSC303016NKSS**  
**(DATA SUBJECT TO CHANGE WITHOUT NOTICE)**

THIS DRAWING IS PROPERTY OF HUBBELL INC. WIEGMANN  
 ALL INFORMATION IS PROPRIETARY AND NOT TO BE DUPLICATED

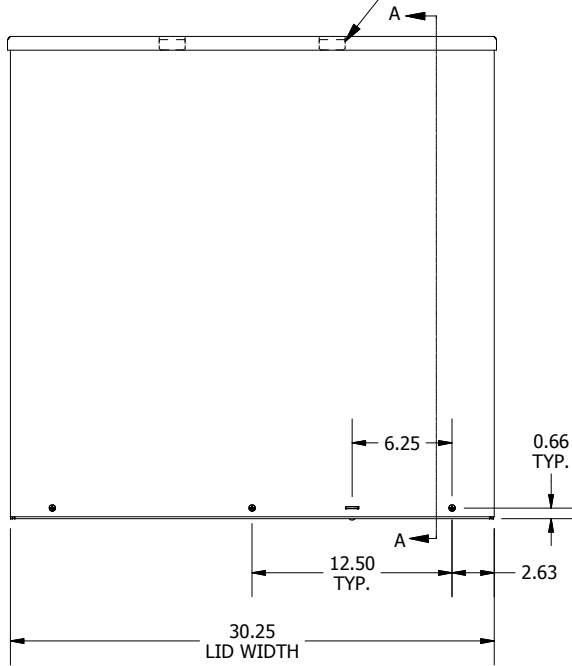


**TOP VIEW**

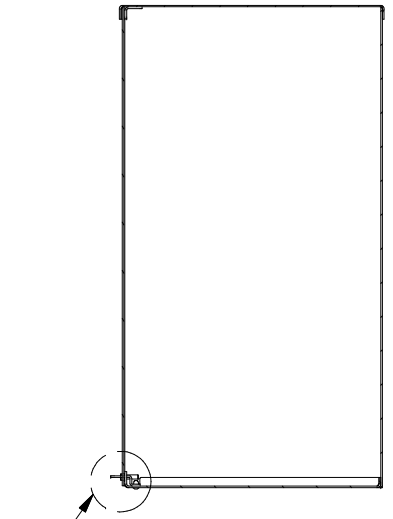
LID BRACKET WELDED TO CAP (2 PL.)



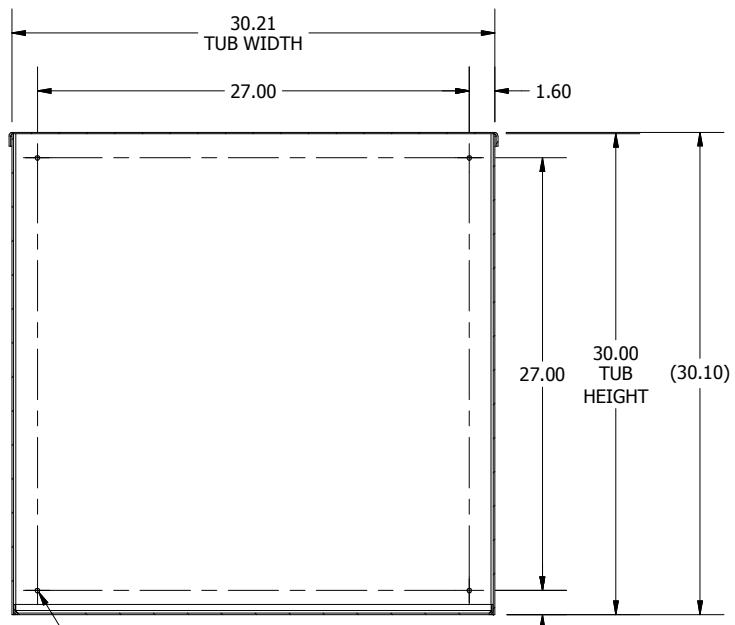
**LEFT SIDE VIEW**



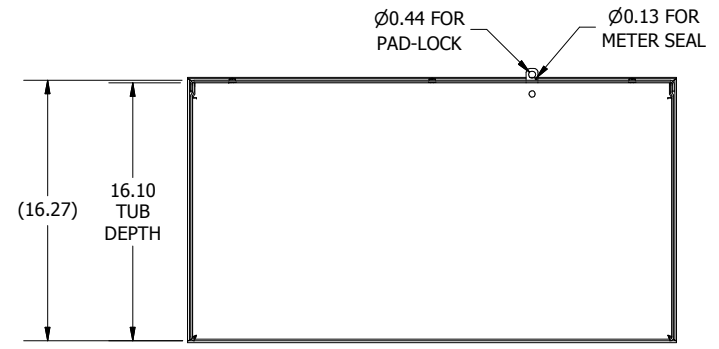
**FRONT VIEW**



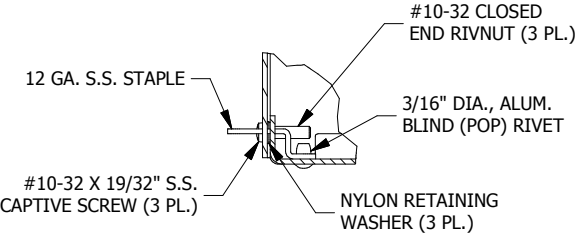
**SECTION A-A**  
(INSIDE LEFT OF ENCL.)



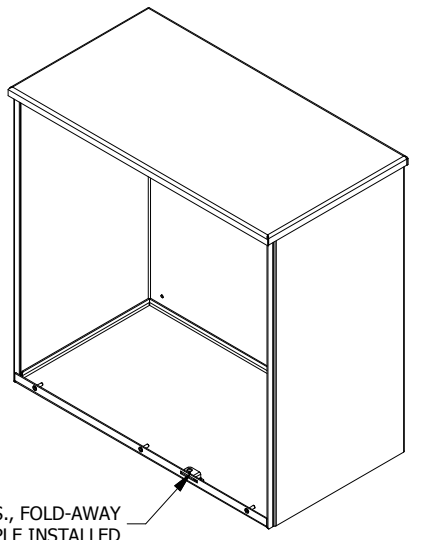
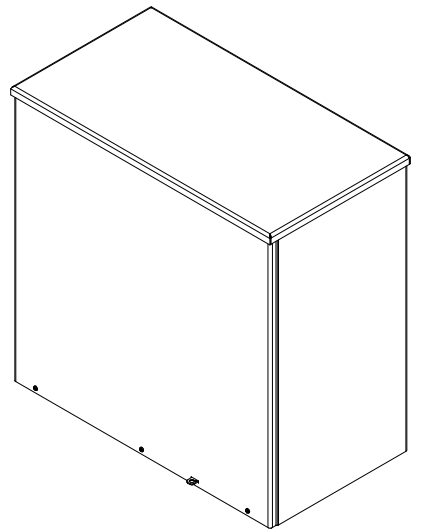
**SECTION B-B**  
(INSIDE BACK OF ENCL.)



**BOTTOM VIEW**



**DETAIL A**  
(STAPLE & SCREW DETAIL)



12 GA. S.S., FOLD-AWAY STAPLE INSTALLED