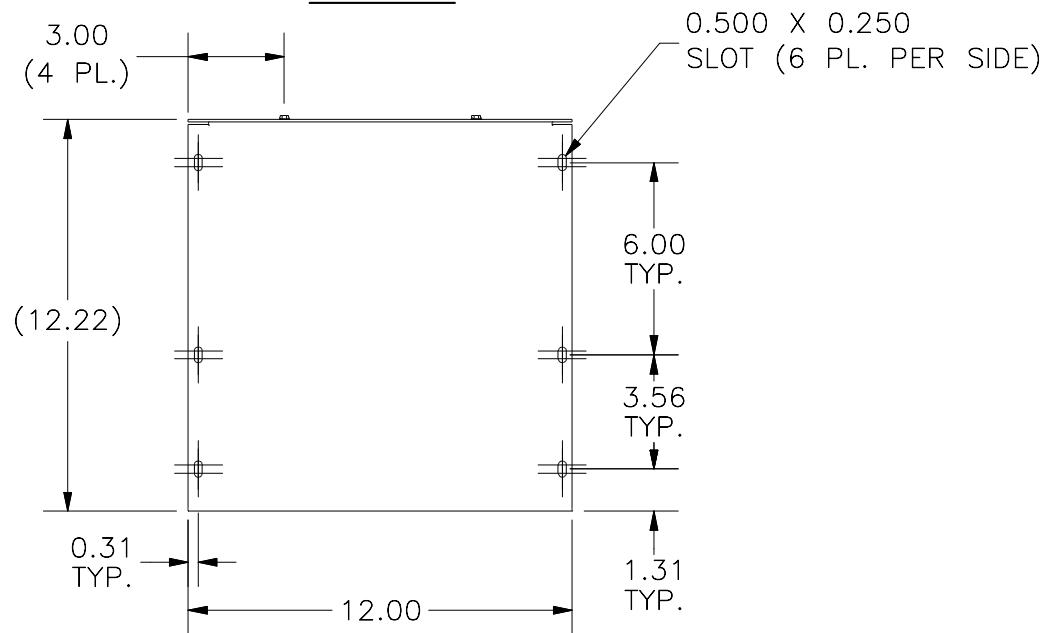
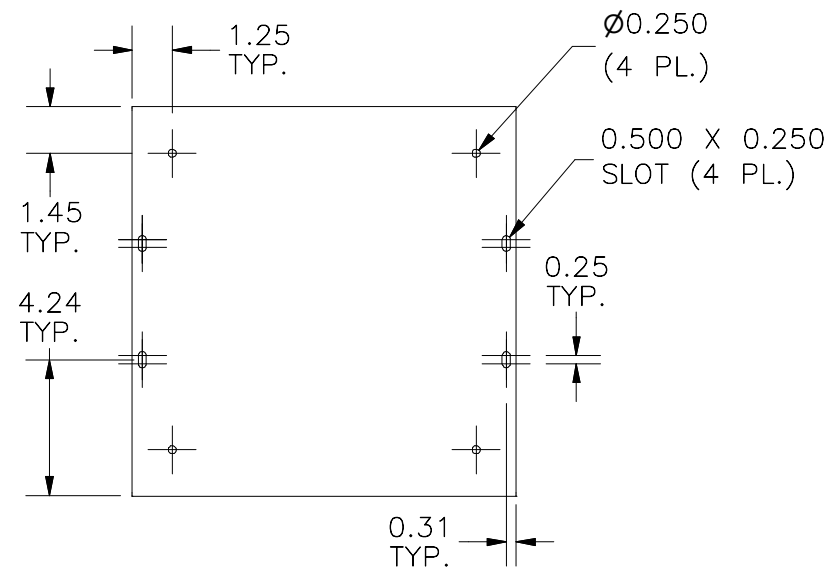


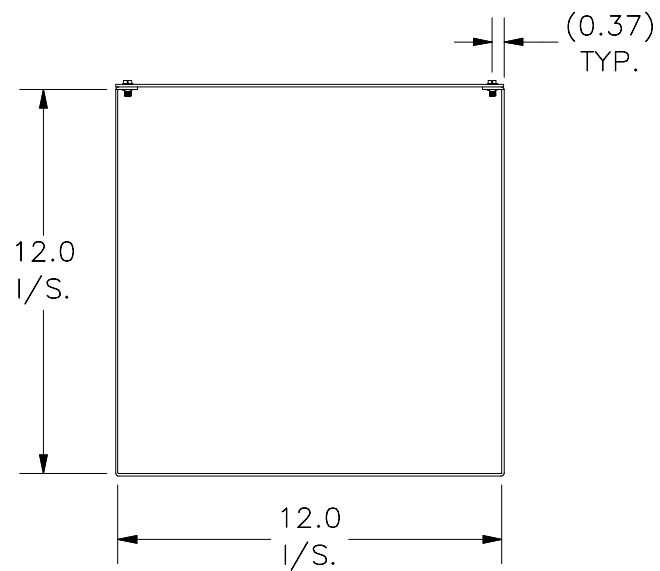
TOP VIEW



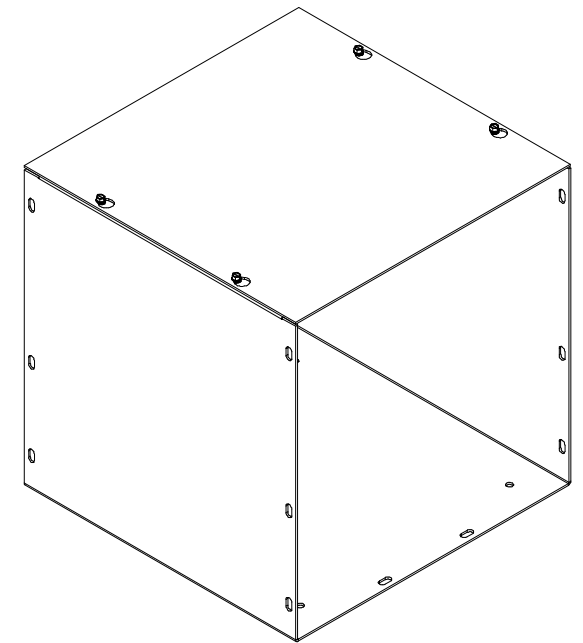
FRONT VIEW



BOTTOM VIEW



RIGHT VIEW



PART#: S121212NK
 (DATA SUBJECT TO CHANGE WITHOUT NOTICE)

THIS DRAWING IS PROPERTY OF HUBBELL INC. WIEGMANN
 ALL INFORMATION IS PROPRIETARY AND NOT TO BE DUPLICATED