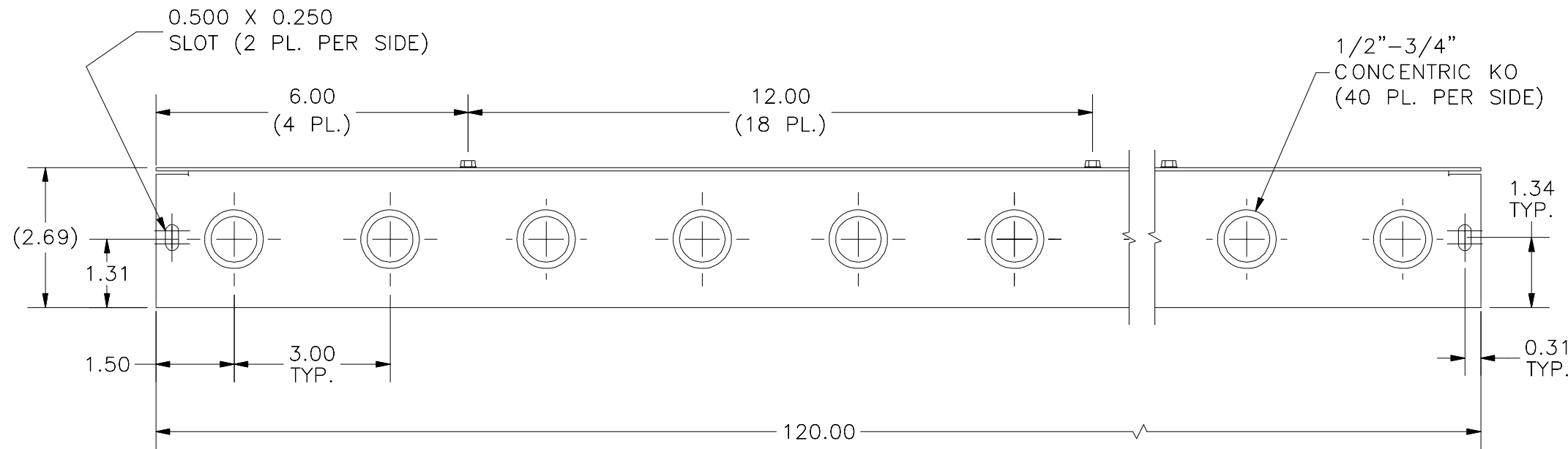
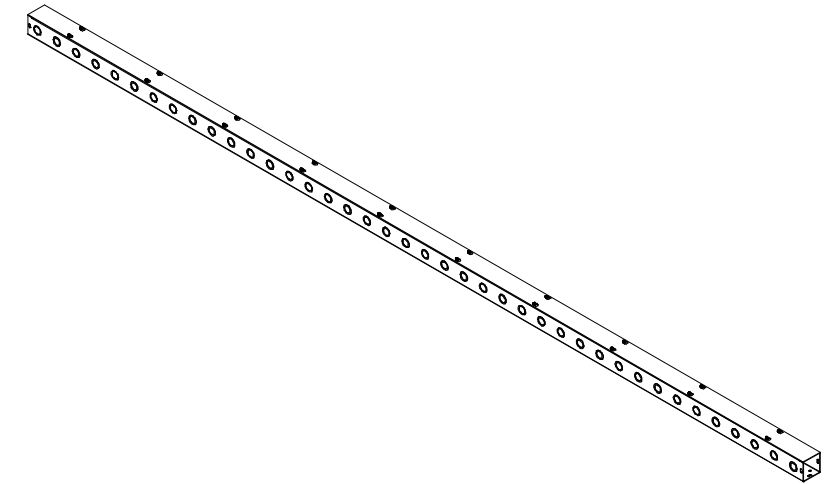


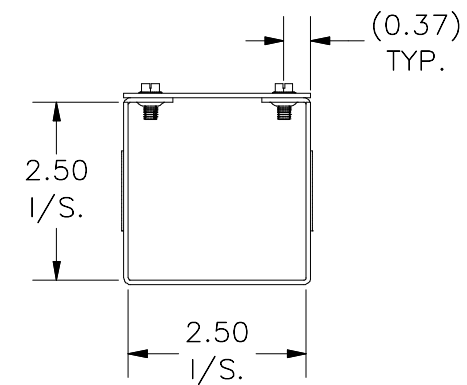
TOP VIEW

#10-32 X 3/8" SCREW,
SELF-TAPPING (20 PL.)

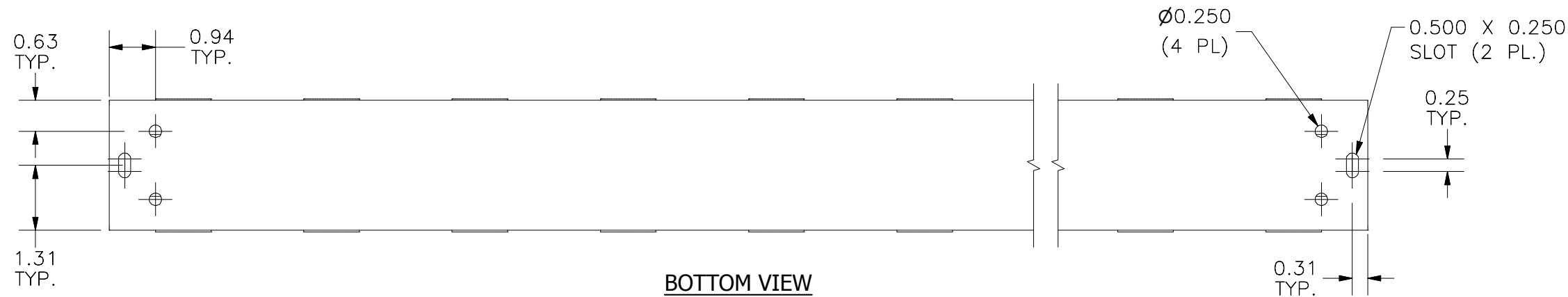


FRONT VIEW

1/2"-3/4"
CONCENTRIC KO
(40 PL. PER SIDE)



RIGHT VIEW



BOTTOM VIEW

PART#: S22120
(DATA SUBJECT TO CHANGE WITHOUT NOTICE)

THIS DRAWING IS PROPERTY OF HUBBELL INC. WIEGMANN
ALL INFORMATION IS PROPRIETARY AND NOT TO BE DUPLICATED