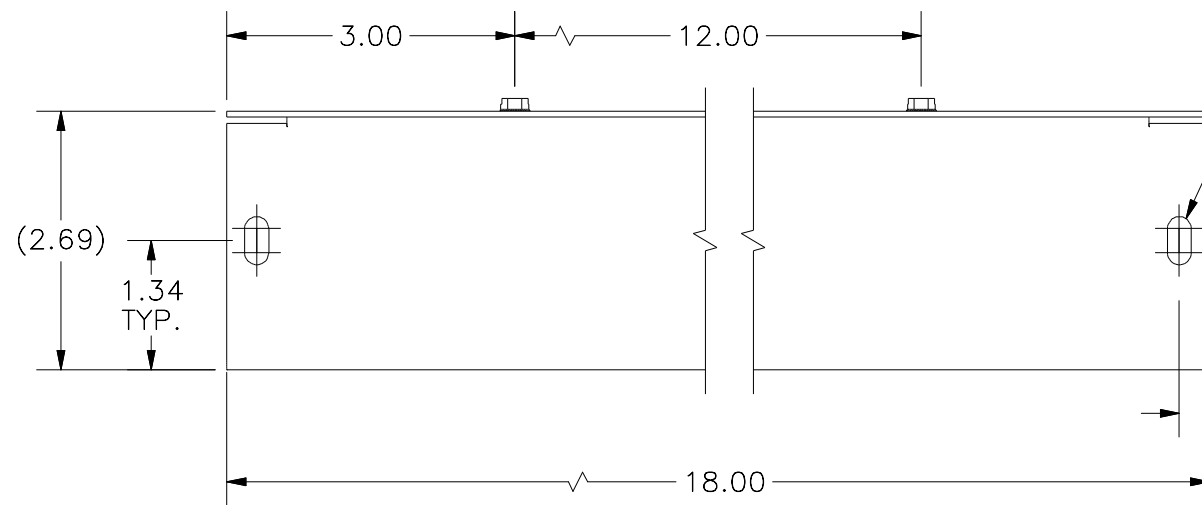
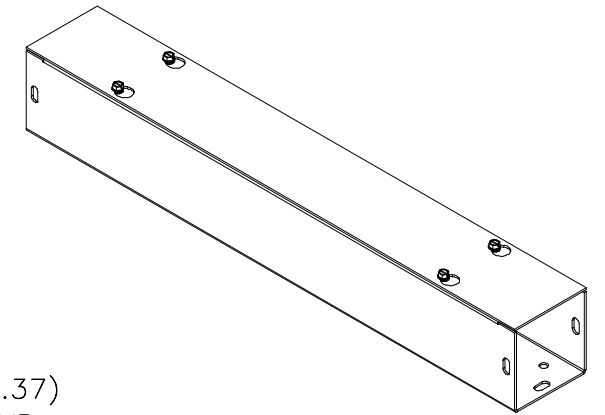


2.63
LID
WIDTH

#10-32 X 3/8" SCREW,
SELF-TAPPING (4 PL.)

TOP VIEW



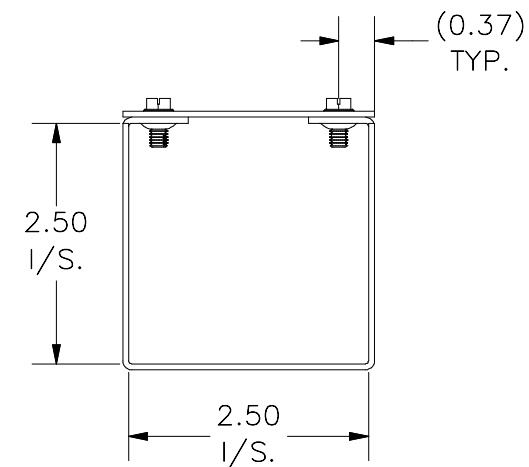
0.500 X 0.250
SLOT (2 PER SIDE)

(2.69)

1.34
TYP.

0.31
TYP.

FRONT VIEW

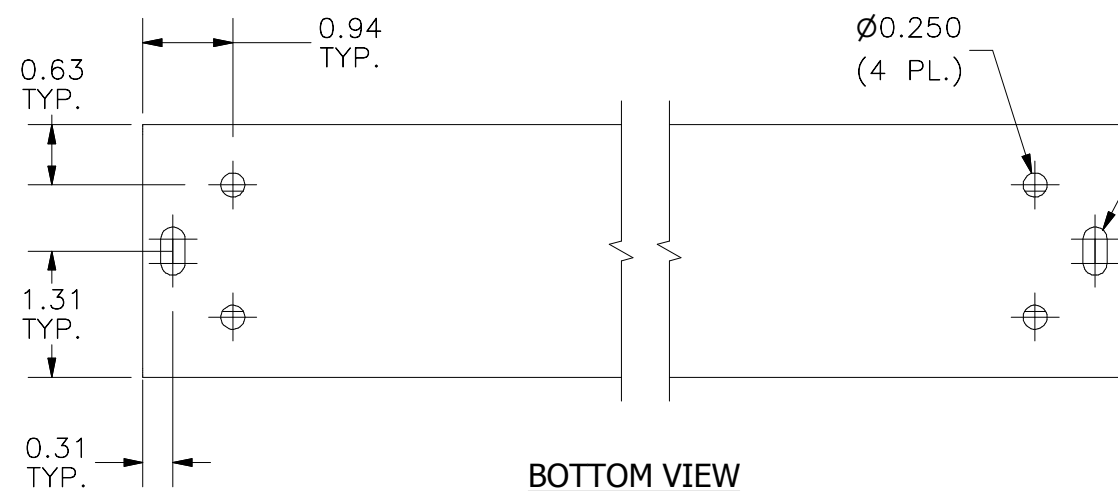


(0.37)
TYP.

2.50
I/S.

2.50
I/S.

RIGHT VIEW



Ø0.250
(4 PL.)

0.500 X 0.250
SLOT (2 PER SIDE)

0.63
TYP.

0.94
TYP.

1.31
TYP.

0.31
TYP.

0.25
TYP.

BOTTOM VIEW

PART#: S2218NK
(DATA SUBJECT TO CHANGE WITHOUT NOTICE)

THIS DRAWING IS PROPERTY OF HUBBELL INC. WIEGMANN
ALL INFORMATION IS PROPRIETARY AND NOT TO BE DUPLICATED