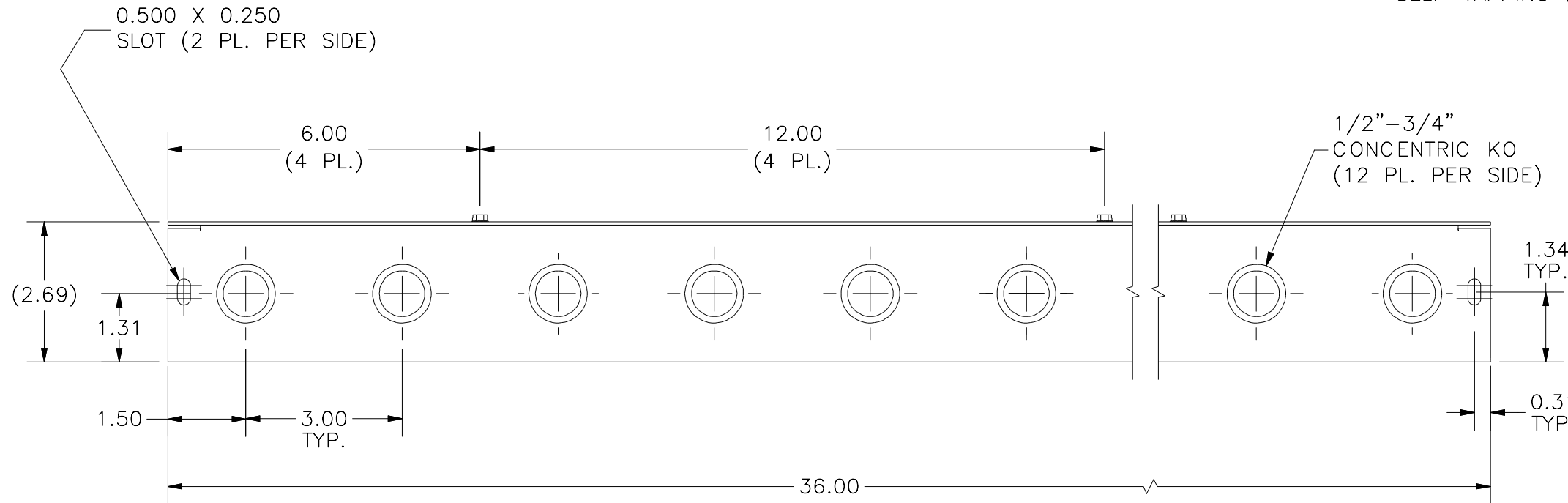
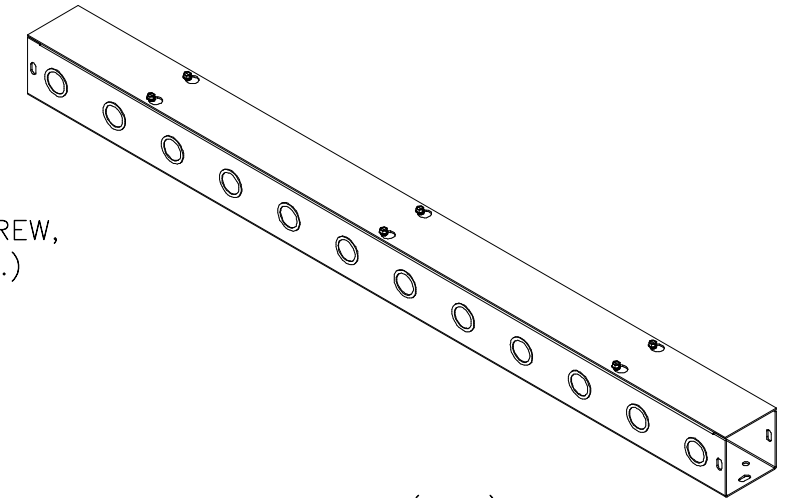


2.63
LID
WIDTH

TOP VIEW

#10-32 X 3/8" SCREW,
SELF-TAPPING (6 PL.)



0.500 X 0.250
SLOT (2 PL. PER SIDE)

6.00
(4 PL.)

12.00
(4 PL.)

1/2"-3/4"
CONCENTRIC KO
(12 PL. PER SIDE)

(2.69)

1.31

1.34
TYP.

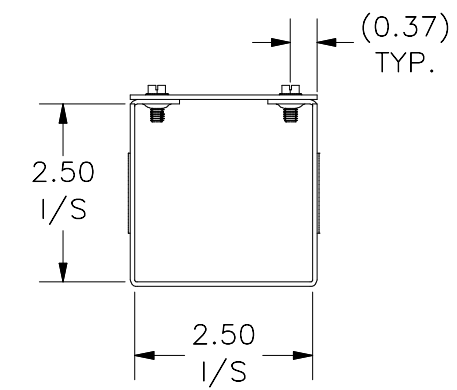
1.50

3.00
TYP.

0.31
TYP.

36.00

FRONT VIEW

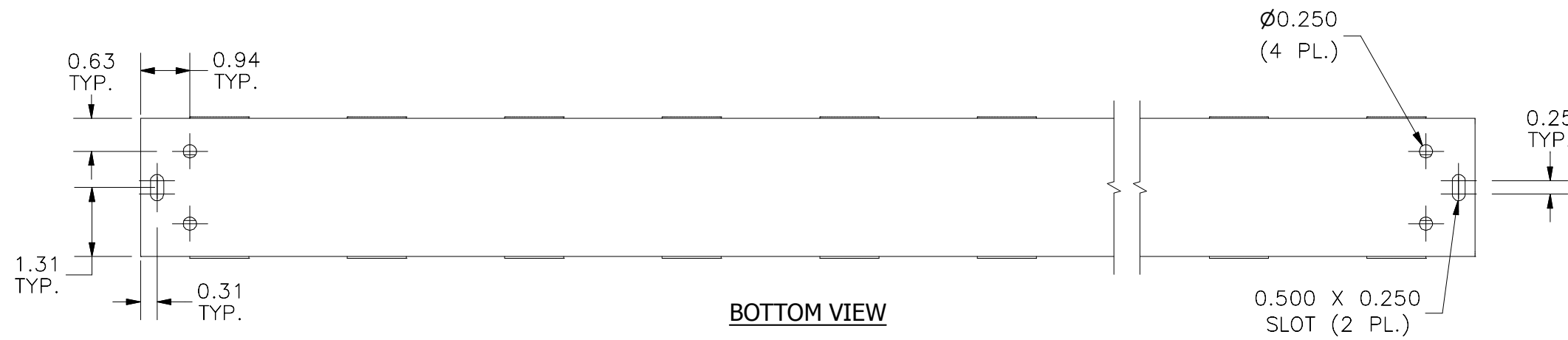


(0.37)
TYP.

2.50
I/S

2.50
I/S

RIGHT SIDE VIEW



0.63
TYP.

0.94
TYP.

Ø0.250
(4 PL.)

0.25
TYP.

1.31
TYP.

0.31
TYP.

0.500 X 0.250
SLOT (2 PL.)

BOTTOM VIEW

PART#: S2236
(DATA SUBJECT TO CHANGE WITHOUT NOTICE)

THIS DRAWING IS PROPERTY OF HUBBELL INC. WIEGMANN
ALL INFORMATION IS PROPRIETARY AND NOT TO BE DUPLICATED