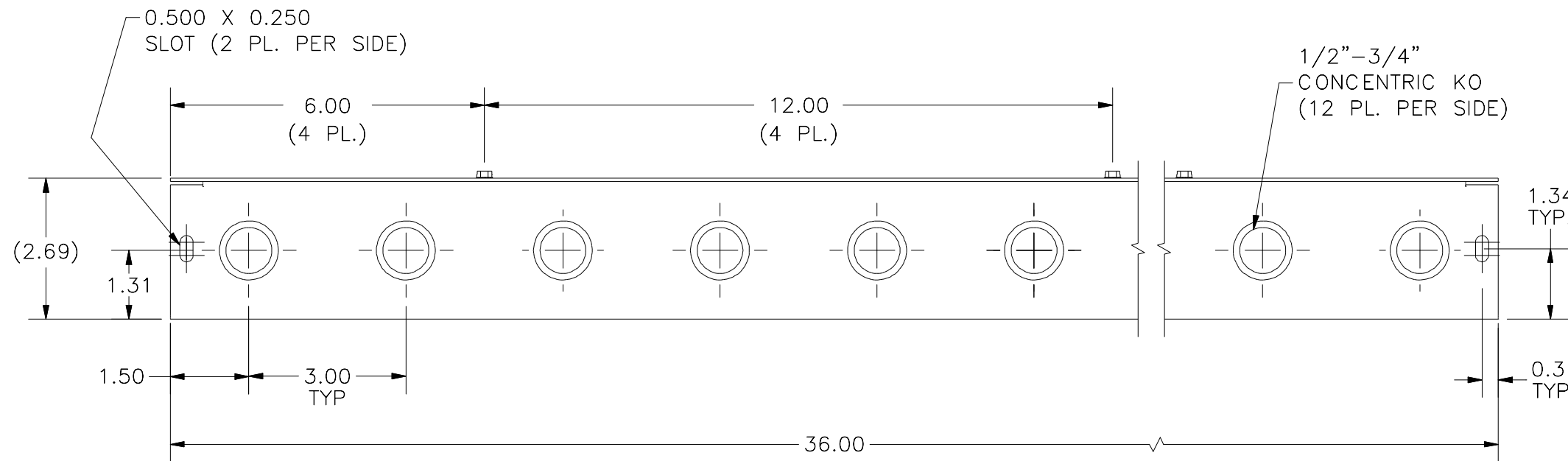
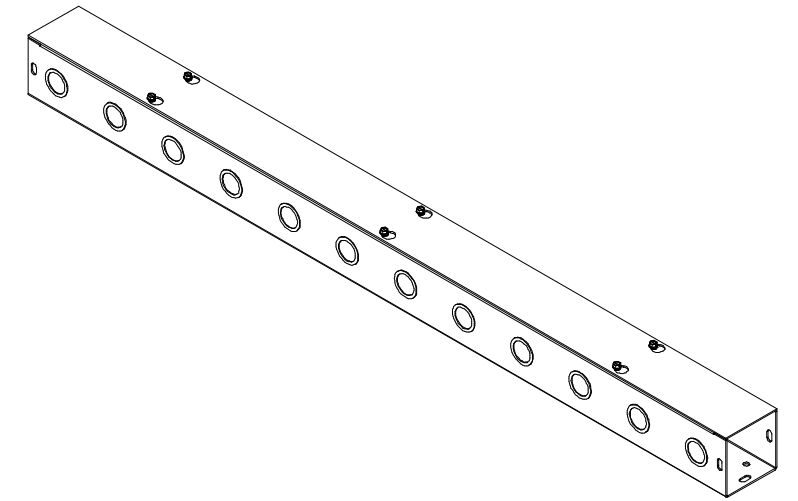


2.63
LID
WIDTH

TOP VIEW

#10-32 X 3/8" SCREW,
SELF-TAPPING (6 PL.)



0.500 X 0.250
SLOT (2 PL. PER SIDE)

6.00
(4 PL.)

12.00
(4 PL.)

1/2"-3/4"
CONCENTRIC KO
(12 PL. PER SIDE)

(2.69)

1.31

1.34
TYP.

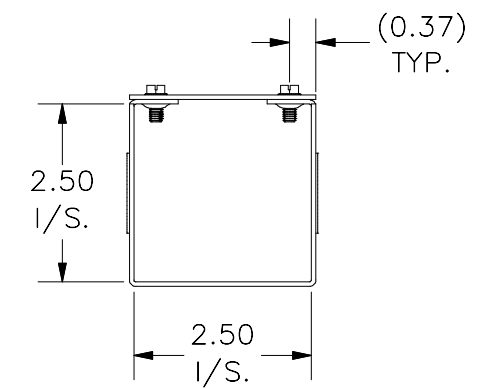
1.50

3.00
TYP.

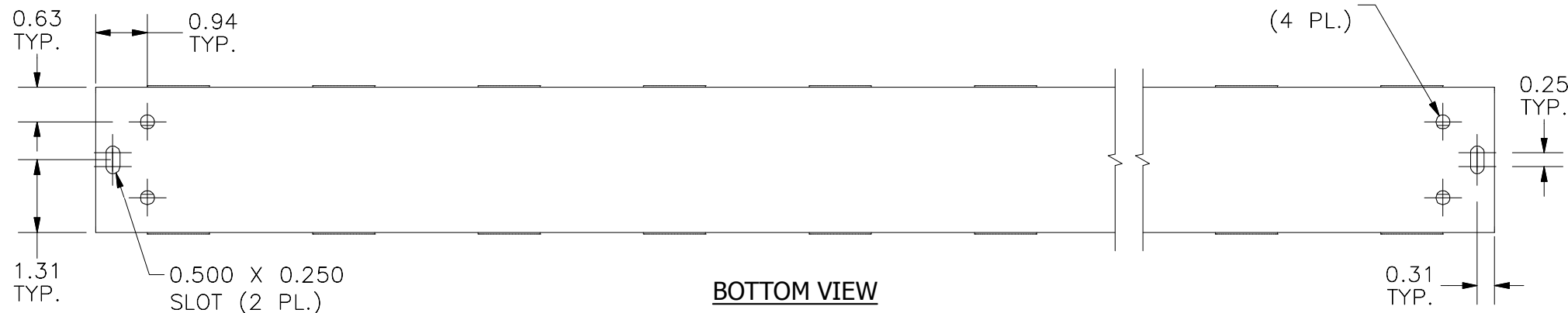
0.31
TYP.

36.00

FRONT VIEW



RIGHT VIEW



0.63
TYP.

0.94
TYP.

Ø0.250
(4 PL.)

0.25
TYP.

1.31
TYP.

0.500 X 0.250
SLOT (2 PL.)

0.31
TYP.

BOTTOM VIEW

PART#: S2236G
(DATA SUBJECT TO CHANGE WITHOUT NOTICE)

THIS DRAWING IS PROPERTY OF HUBBELL INC. WIEGMANN
ALL INFORMATION IS PROPRIETARY AND NOT TO BE DUPLICATED