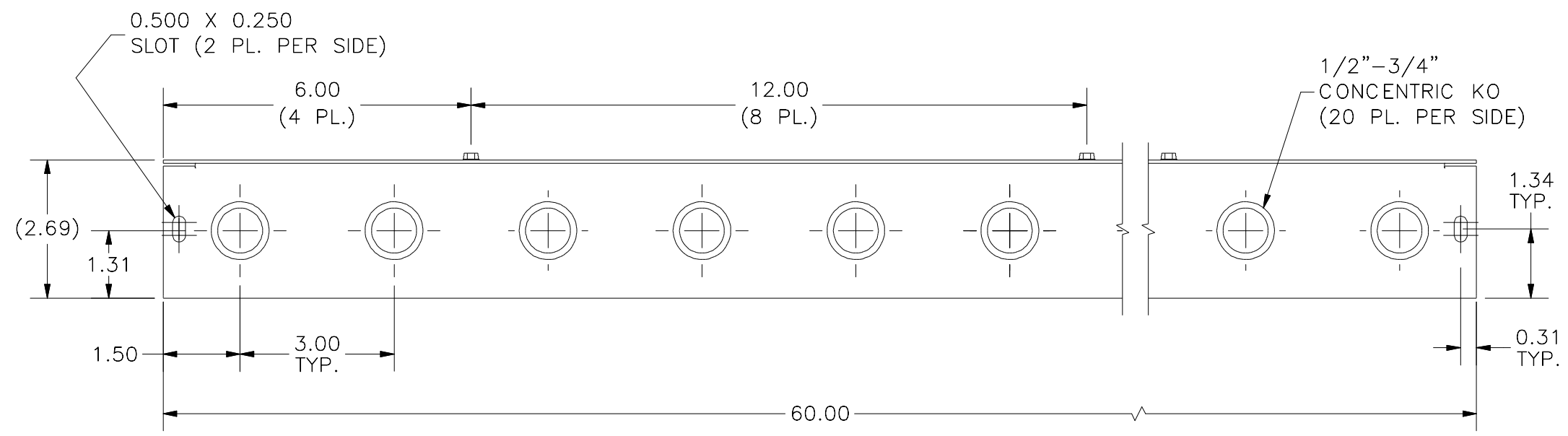
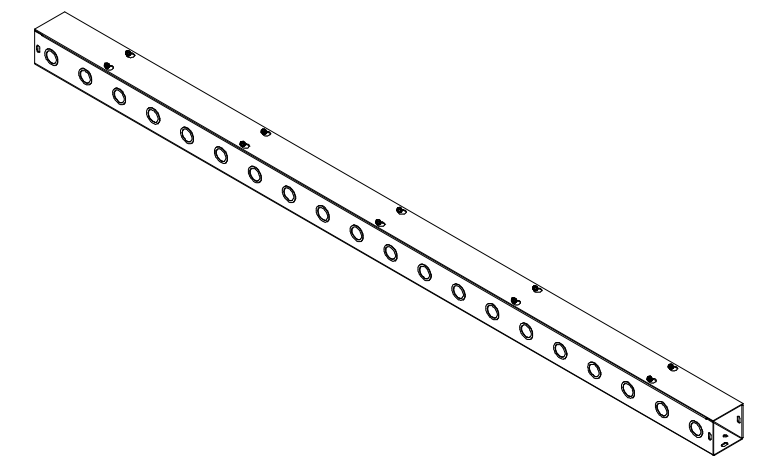
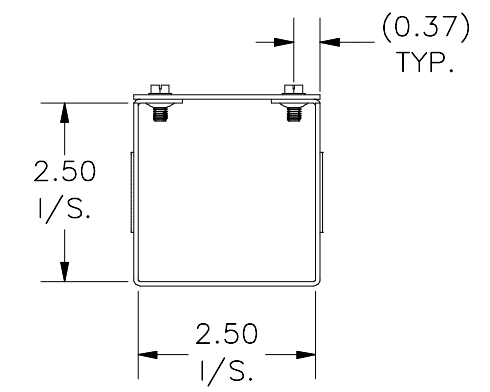


TOP VIEW

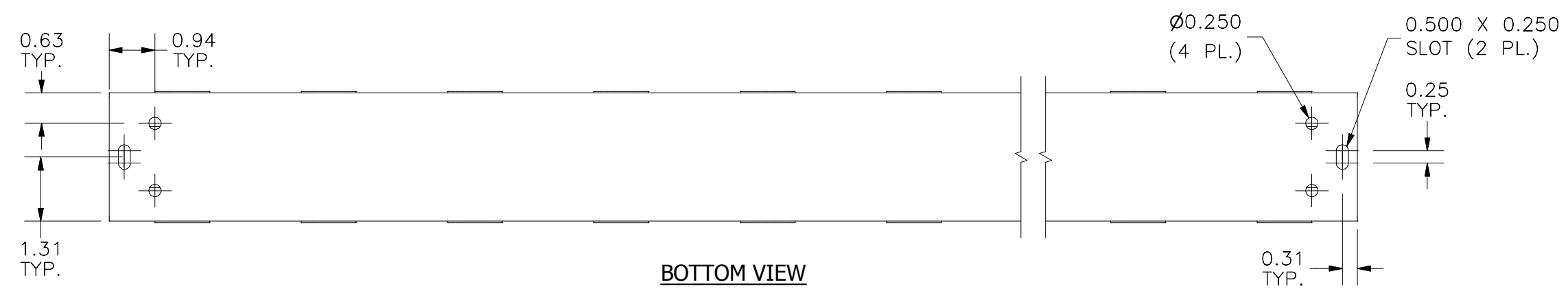
#10-32 X 3/8" SCREW,
SELF-TAPPING (10 PL.)



FRONT VIEW



RIGHT SIDE VIEW



BOTTOM VIEW

PART#: S2260
(DATA SUBJECT TO CHANGE WITHOUT NOTICE)

THIS DRAWING IS PROPERTY OF HUBBELL INC. WIEGMANN
ALL INFORMATION IS PROPRIETARY AND NOT TO BE DUPLICATED