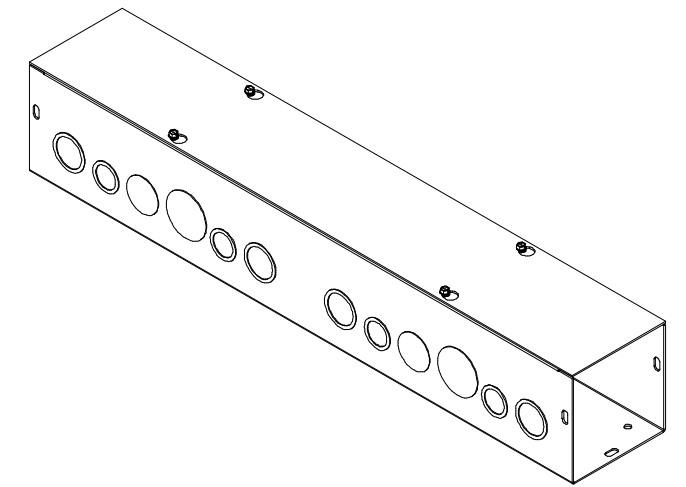


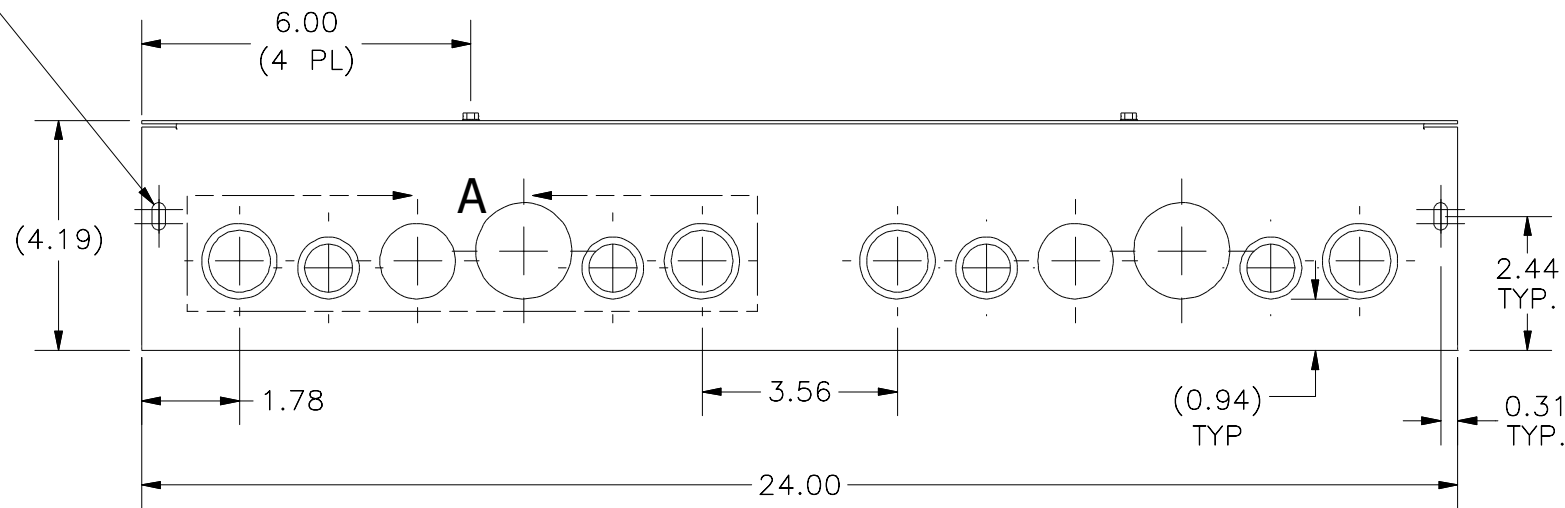
4.13
LID
WIDTH

#10-32 X 3/8" SCREW,
SELF-TAPPING (4 PL.)

TOP VIEW



0.500 X 0.250
SLOT (2 PL. PER SIDE)



(4.19)

6.00
(4 PL.)

1.78

24.00

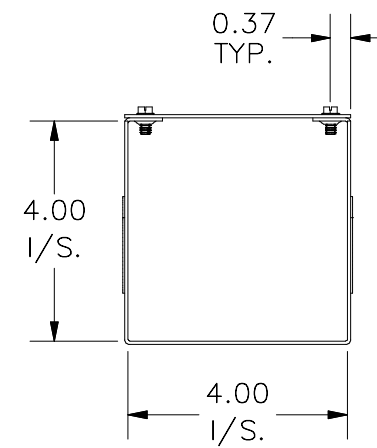
3.56

(0.94)
TYP.

0.31
TYP.

2.44
TYP.

FRONT VIEW

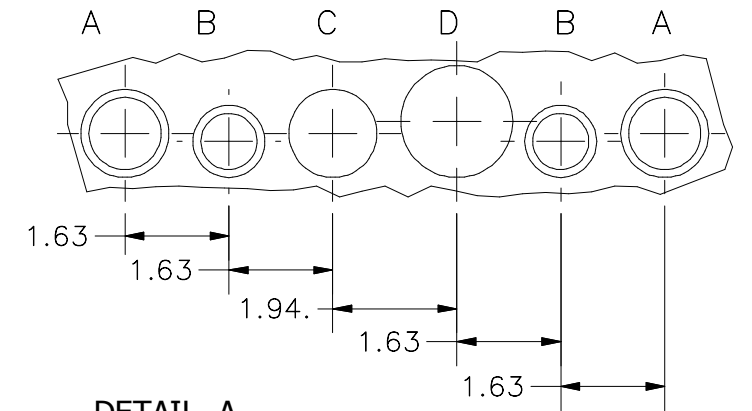


0.37
TYP.

4.00
I/S.

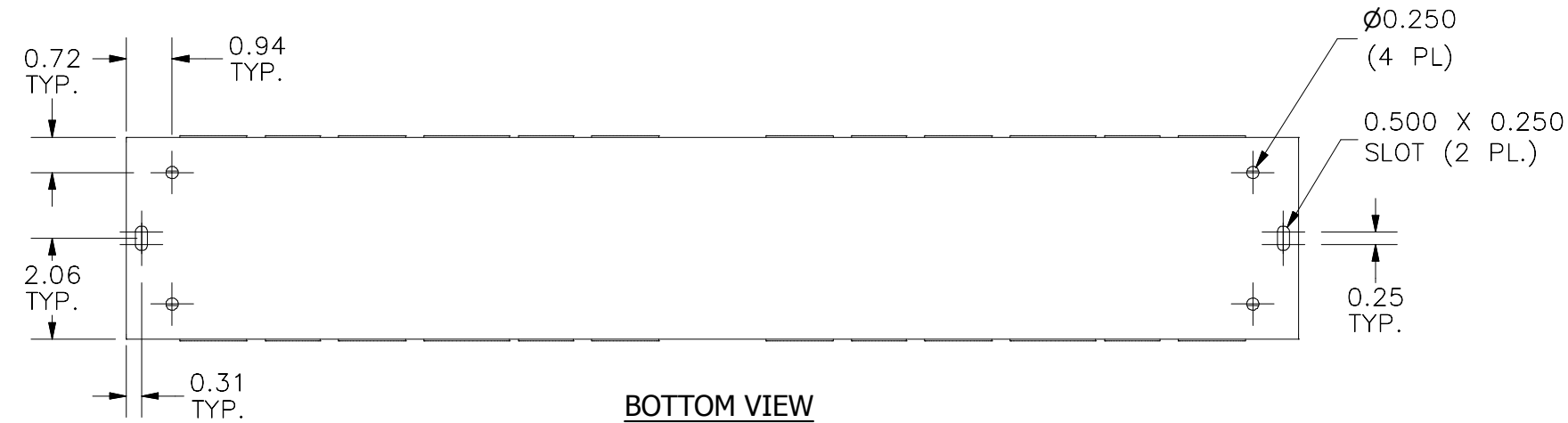
4.00
I/S.

RIGHT SIDE VIEW



DETAIL A
PATTERN DESCRIPTION (4 PL.)

- A) 3/4"-1" CONCENTRIC KO (2 PL.)
- B) 1/2"-3/4" CONCENTRIC KO (2 PL.)
- C) 1" SOLID KO
- D) 1 1/4" SOLID KO



0.72
TYP.

0.94
TYP.

2.06
TYP.

0.31
TYP.

Ø0.250
(4 PL.)

0.500 X 0.250
SLOT (2 PL.)

0.25
TYP.

BOTTOM VIEW

PART#: S4424
(DATA SUBJECT TO CHANGE WITHOUT NOTICE)

THIS DRAWING IS PROPERTY OF HUBBELL INC. WIEGMANN
ALL INFORMATION IS PROPRIETARY AND NOT TO BE DUPLICATED