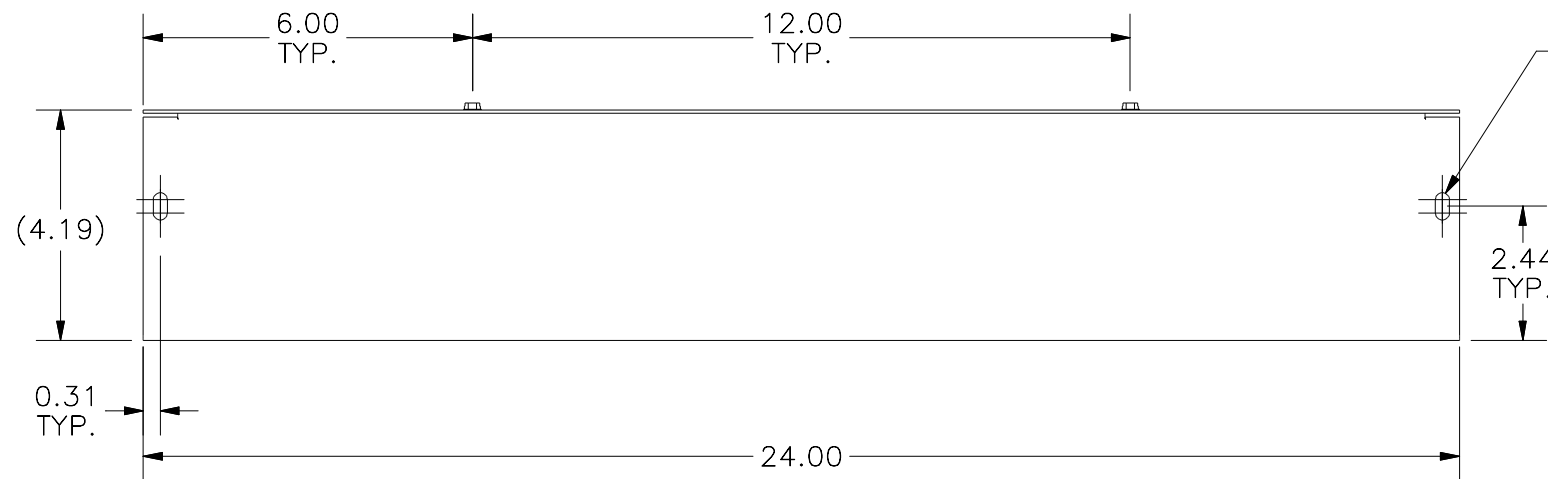
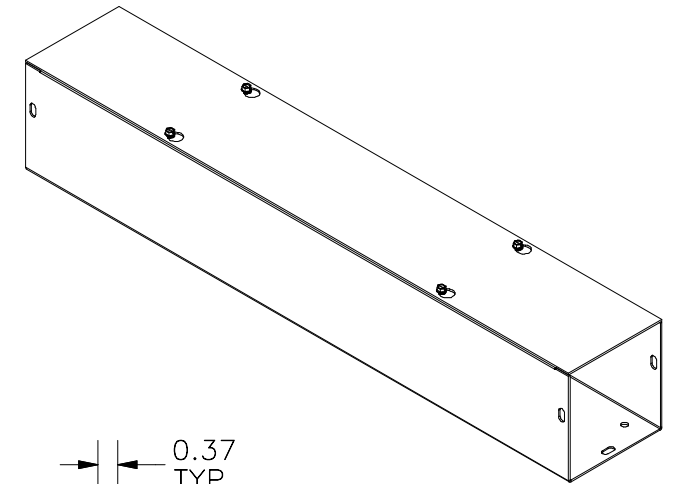


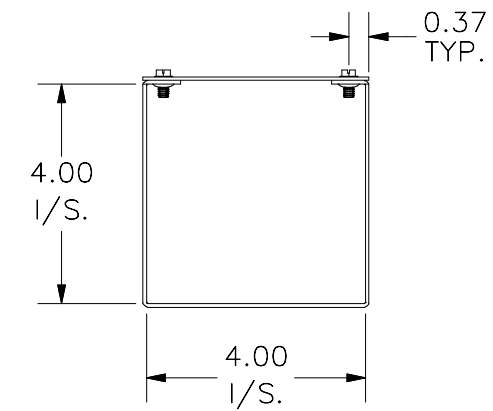
TOP VIEW

#10-32 X 3/8" SCREW,
SELF-TAPPING (4 PL.)

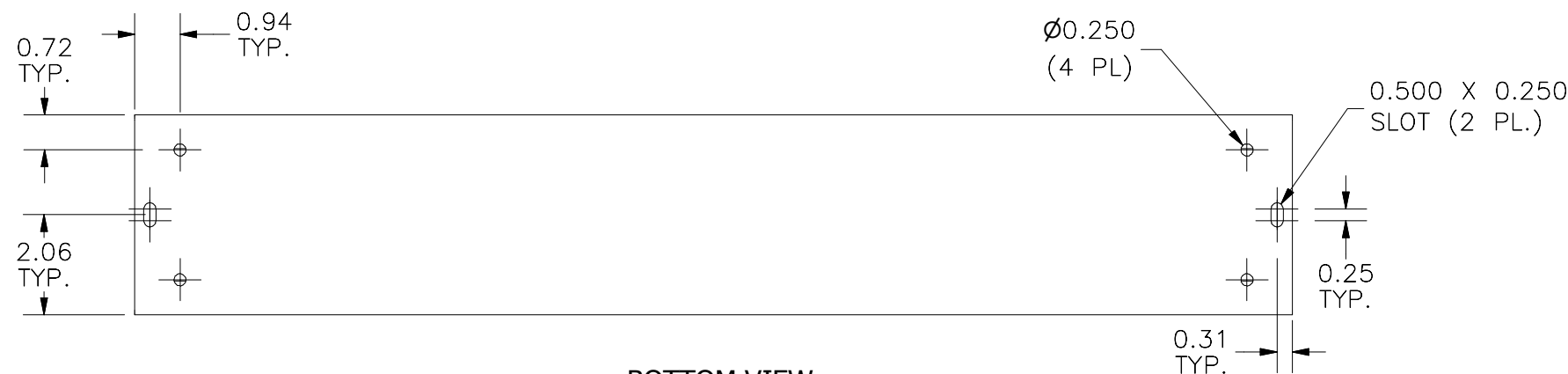


FRONT VIEW

0.500 X 0.250
SLOT (2 PL. PER SIDE)



RIGHT VIEW



BOTTOM VIEW

PART#: S4424GNK
(DATA SUBJECT TO CHANGE WITHOUT NOTICE)

THIS DRAWING IS PROPERTY OF HUBBELL INC. WIEGMANN
ALL INFORMATION IS PROPRIETARY AND NOT TO BE DUPLICATED