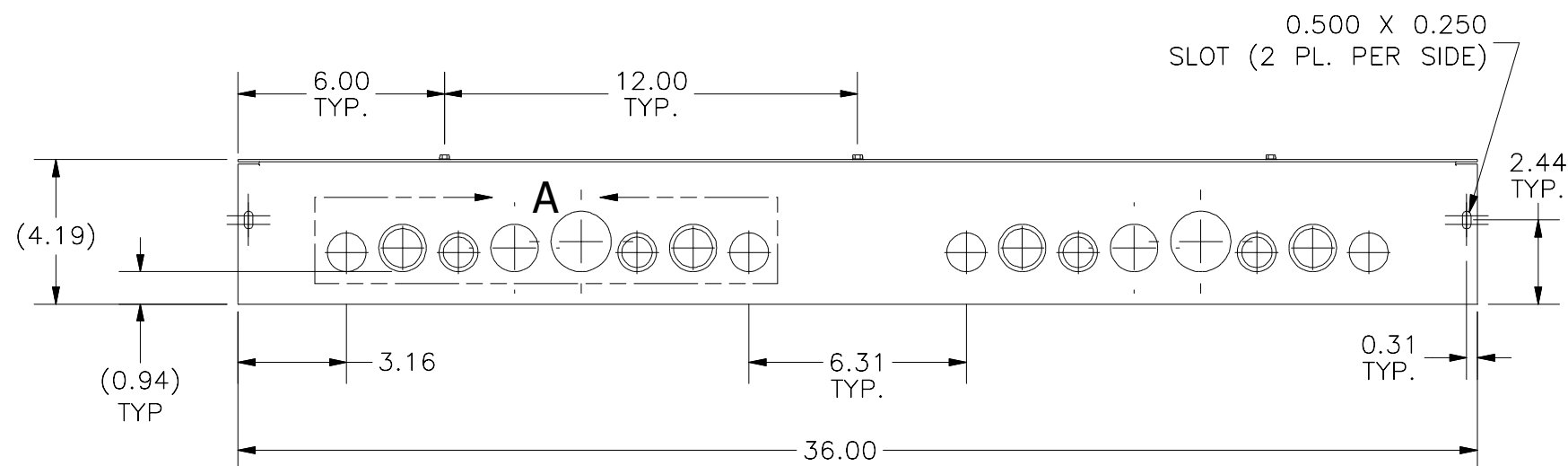


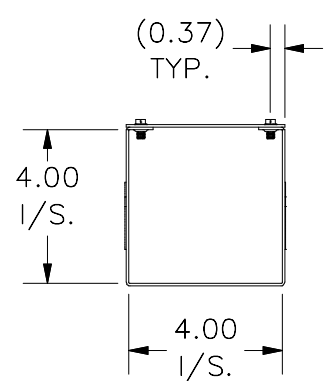
#10-32 X 3/8" SCREW,  
SELF-TAPPING (6 PL.)

TOP VIEW

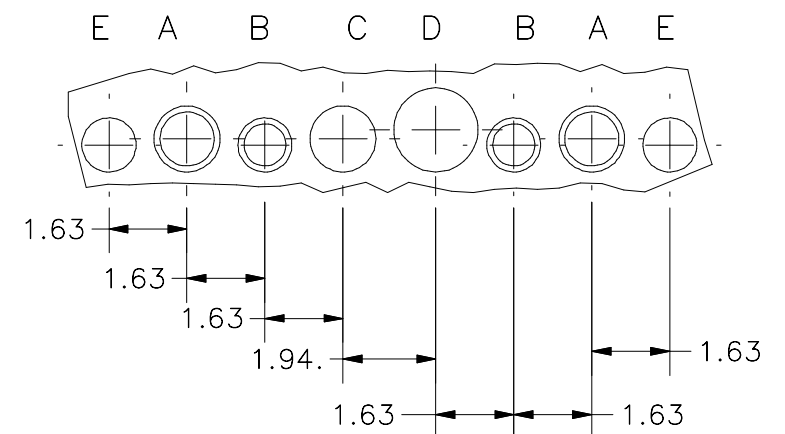


FRONT VIEW

0.500 X 0.250  
SLOT (2 PL. PER SIDE)

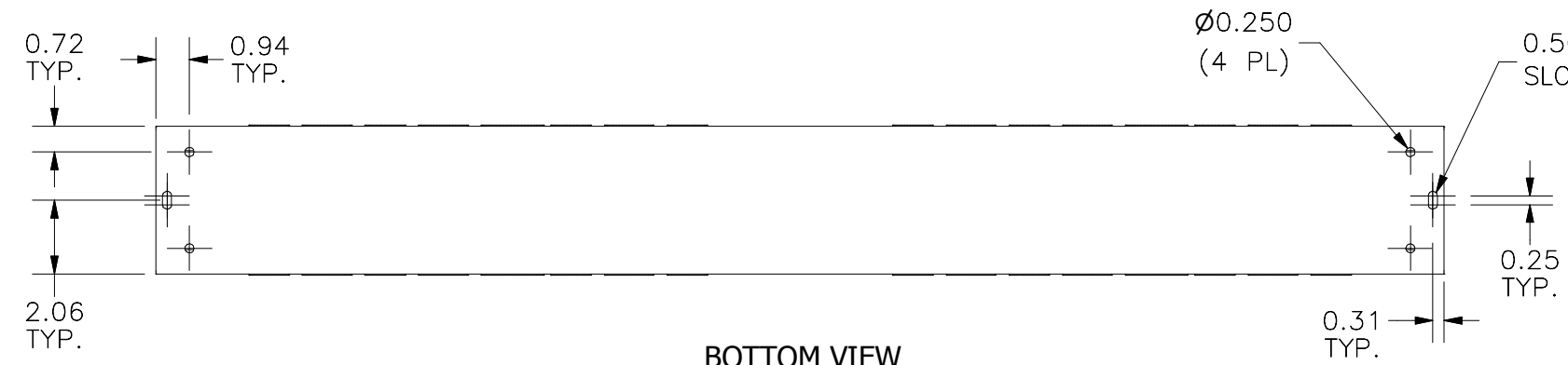


RIGHT VIEW



DETAIL A  
PATTERN DESCRIPTION (4 PL.)

- A) 3/4"-1" CONCENTRIC KO (2 PL.)
- B) 1/2"-3/4" CONCENTRIC KO (2 PL.)
- C) 1" SOLID KO (1 PL.)
- D) 1 1/4" SOLID KO (1 PL.)
- E) 3/4" SOLID KO (2 PL.)



BOTTOM VIEW

PART#: S4436G  
(DATA SUBJECT TO CHANGE WITHOUT NOTICE)

THIS DRAWING IS PROPERTY OF HUBBELL INC. WIEGMANN  
ALL INFORMATION IS PROPRIETARY AND NOT TO BE DUPLICATED