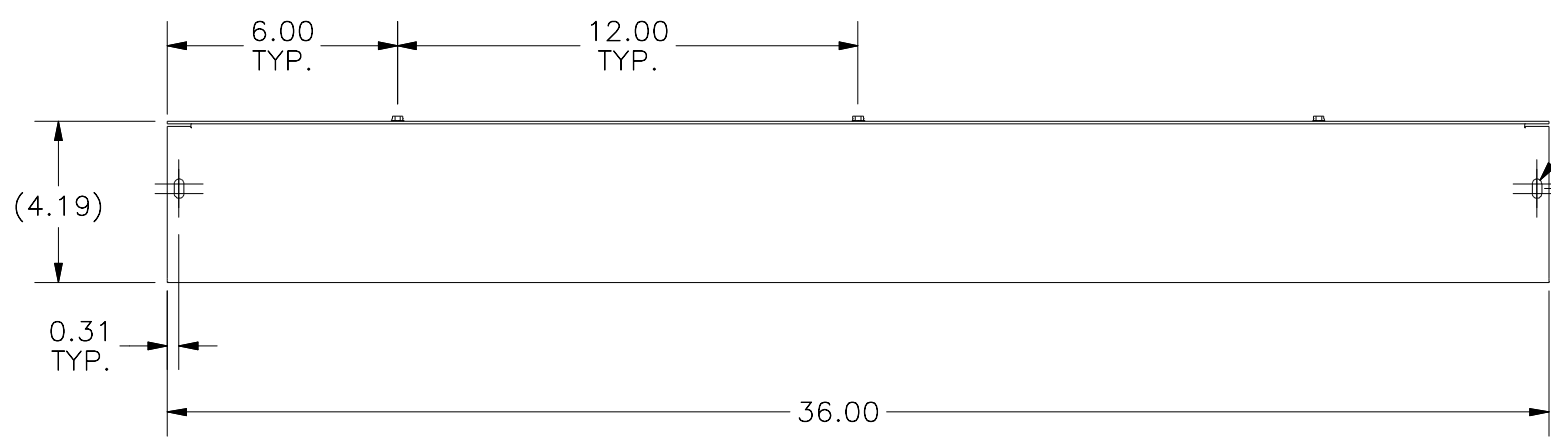
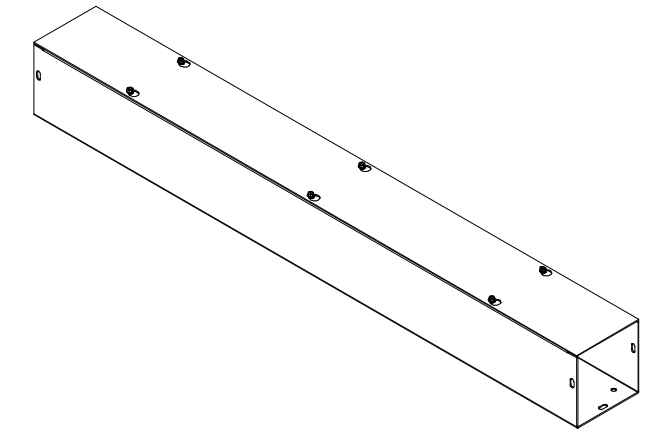




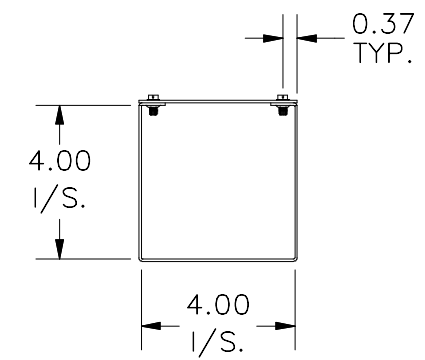
#10-32 X 3/8" SCREW,
SELF-TAPPING (6 PL.)

TOP VIEW



0.500 X 0.250
SLOT (2 PL. PER SIDE)

FRONT VIEW



RIGHT VIEW



Ø0.250
(4 PL)

0.500 X 0.250
SLOT (2 PL.)

BOTTOM VIEW

PART#: S4436GNK
(DATA SUBJECT TO CHANGE WITHOUT NOTICE)

THIS DRAWING IS PROPERTY OF HUBBELL INC. WIEGMANN
ALL INFORMATION IS PROPRIETARY AND NOT TO BE DUPLICATED