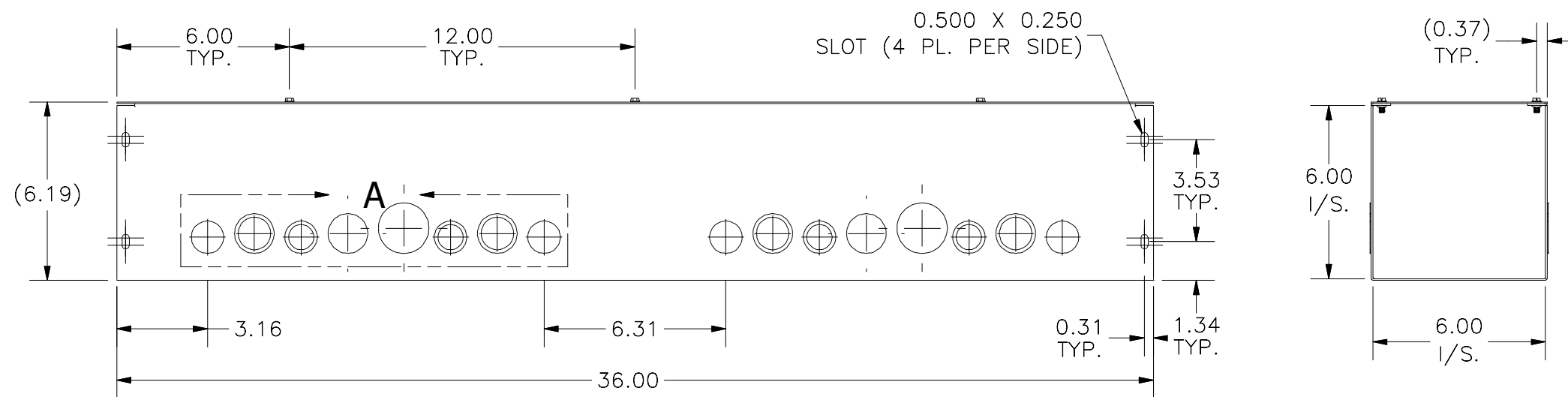
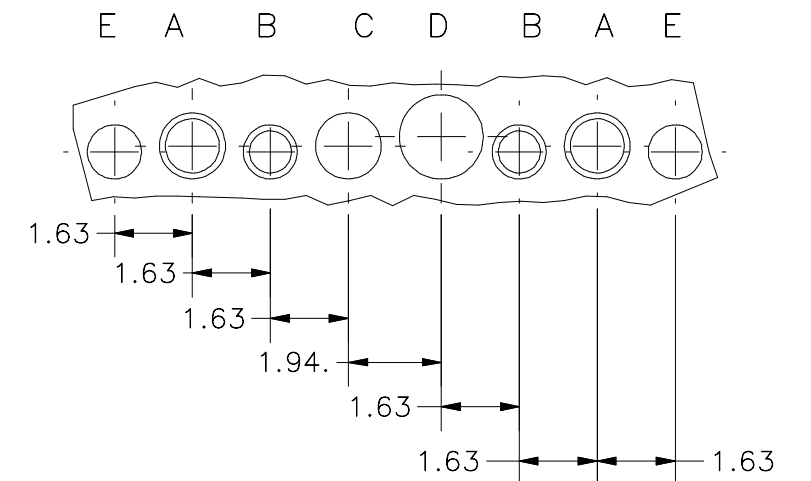
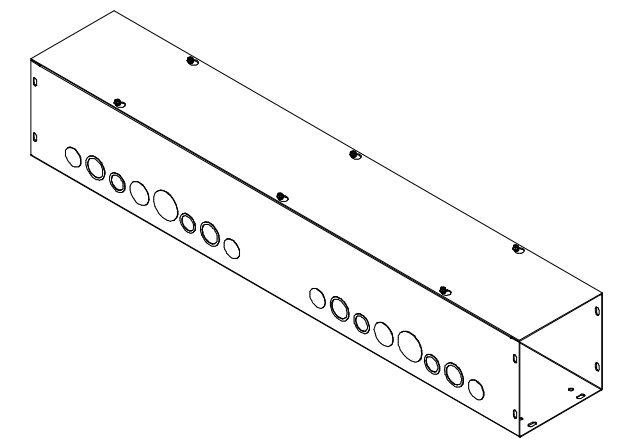


**TOP VIEW**

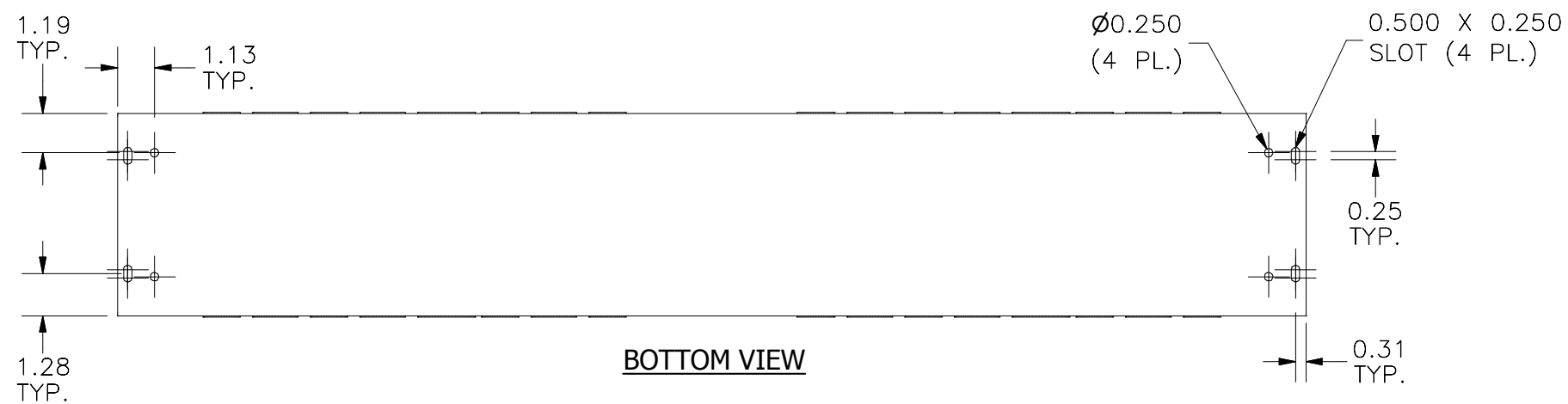


**FRONT VIEW**

**RIGHT VIEW**



**DETAIL A  
PATTERN DESCRIPTION (4 PL.)**



**BOTTOM VIEW**

PART#: S6636G  
(DATA SUBJECT TO CHANGE WITHOUT NOTICE)

THIS DRAWING IS PROPERTY OF HUBBELL INC. WIEGMANN  
ALL INFORMATION IS PROPRIETARY AND NOT TO BE DUPLICATED