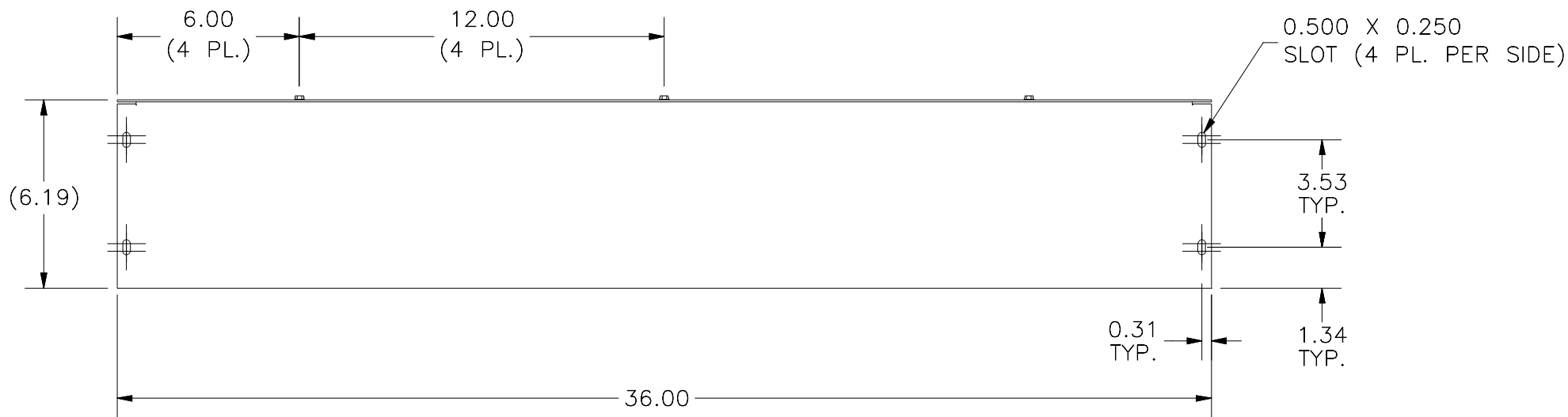
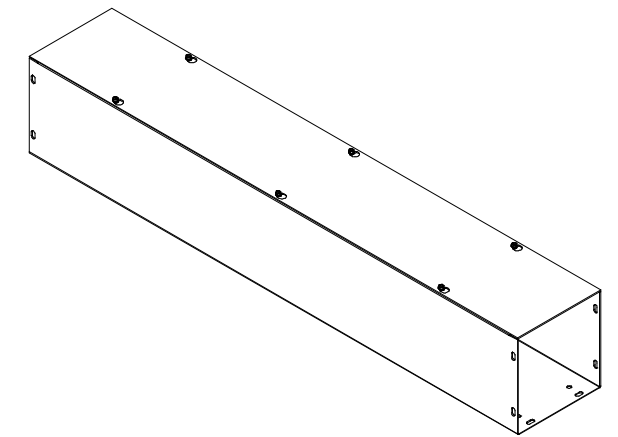


6.13
LID
WIDTH

#10-32 X 3/8" SCREW,
SELF-TAPPING (6 PL.)

TOP VIEW



0.500 X 0.250
SLOT (4 PL. PER SIDE)

(6.19)

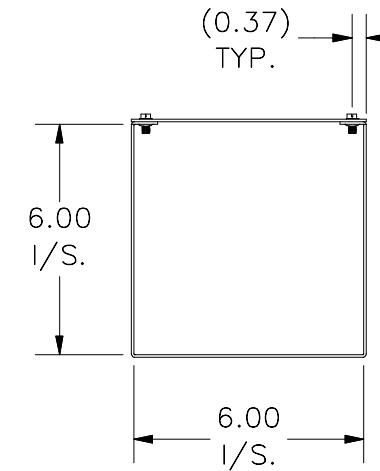
0.31
TYP.

3.53
TYP.

1.34
TYP.

36.00

FRONT VIEW

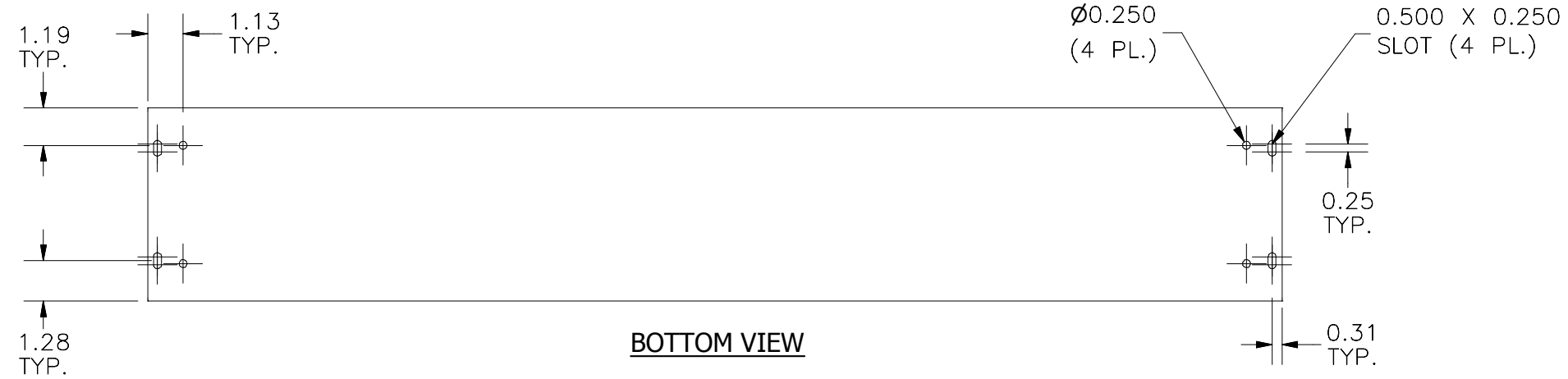


(0.37)
TYP.

6.00
I/S.

6.00
I/S.

RIGHT VIEW



Ø0.250
(4 PL.)

0.500 X 0.250
SLOT (4 PL.)

1.19
TYP.

1.13
TYP.

0.25
TYP.

1.28
TYP.

0.31
TYP.

BOTTOM VIEW

PART#: S6636NK
(DATA SUBJECT TO CHANGE WITHOUT NOTICE)

THIS DRAWING IS PROPERTY OF HUBBELL INC. WIEGMANN
ALL INFORMATION IS PROPRIETARY AND NOT TO BE DUPLICATED