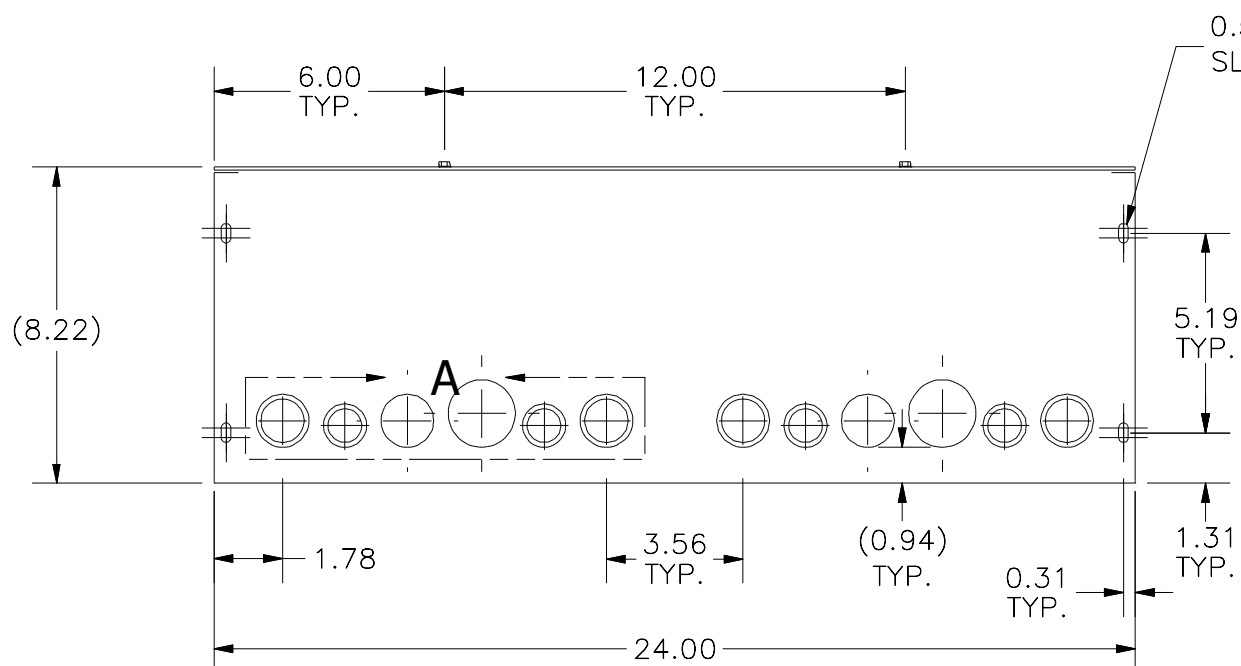
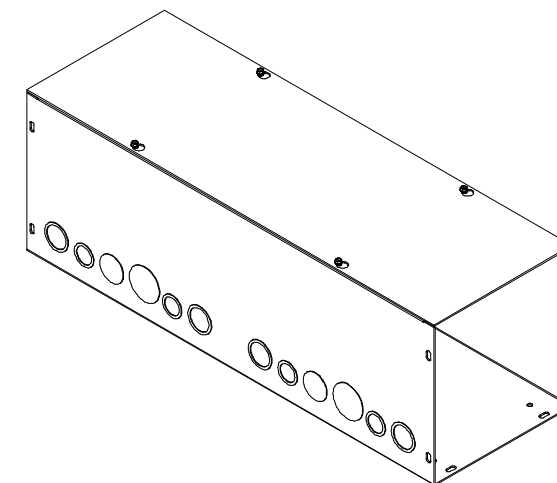


**TOP VIEW**

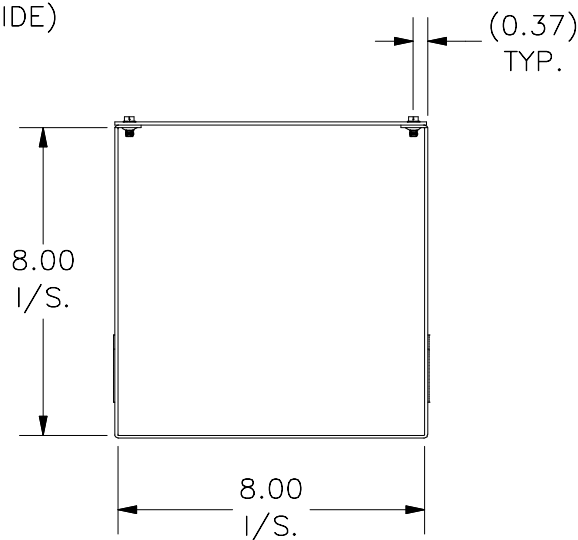
#10-32 X 3/8" SCREW,  
SELF-TAPPING (4 PL.)



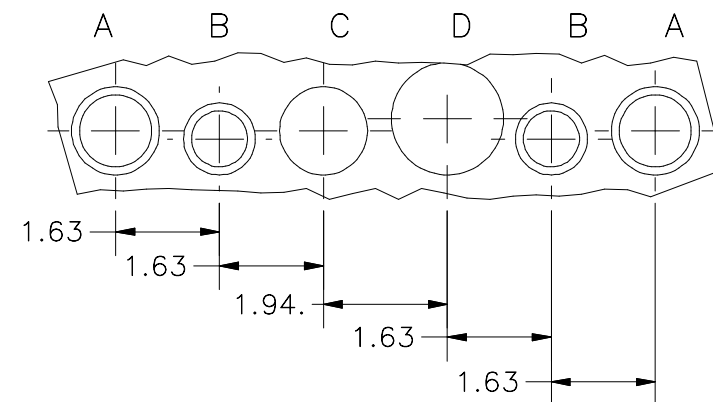
**FRONT VIEW**

0.500 X 0.250  
SLOT (4 PL. PER SIDE)

(0.37)  
TYP.

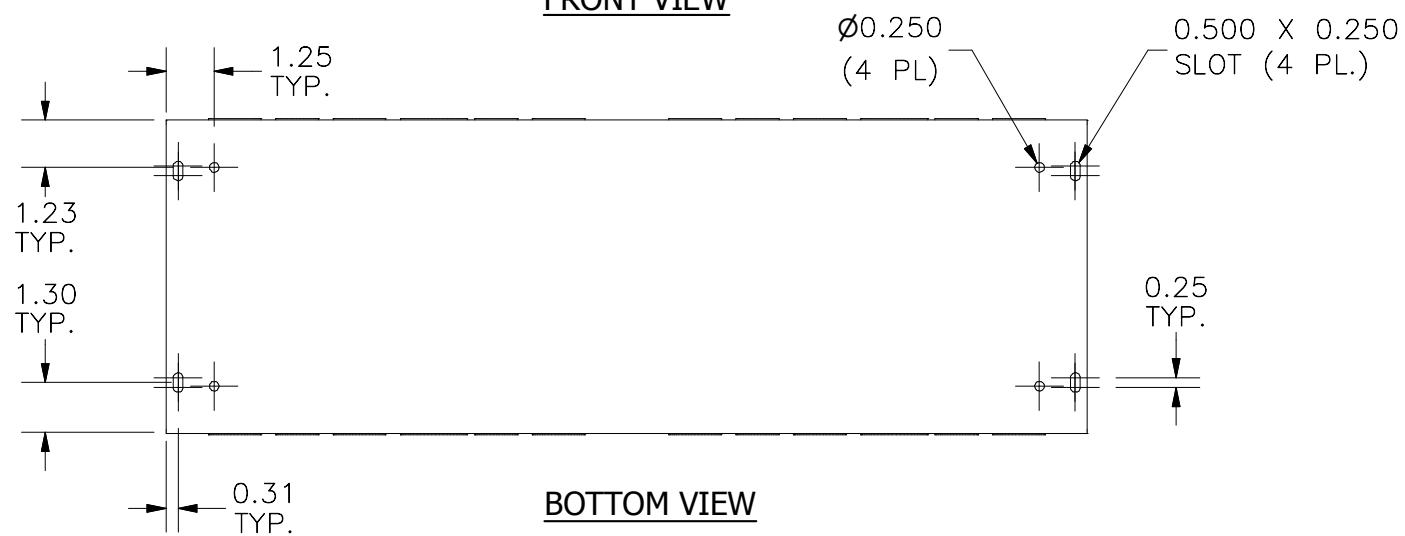


**RIGHT VIEW**



**DETAIL A**  
**PATTERN DESCRIPTION (4 PL.)**

- A) 3/4"-1" CONCENTRIC KO (2 PL.)
- B) 1/2"-3/4" CONCENTRIC KO (2 PL.)
- C) 1" SOLID KO
- D) 1 1/4" SOLID KO



**BOTTOM VIEW**

PART#: S8824G  
(DATA SUBJECT TO CHANGE WITHOUT NOTICE)

THIS DRAWING IS PROPERTY OF HUBBELL INC. WIEGMANN  
ALL INFORMATION IS PROPRIETARY AND NOT TO BE DUPLICATED