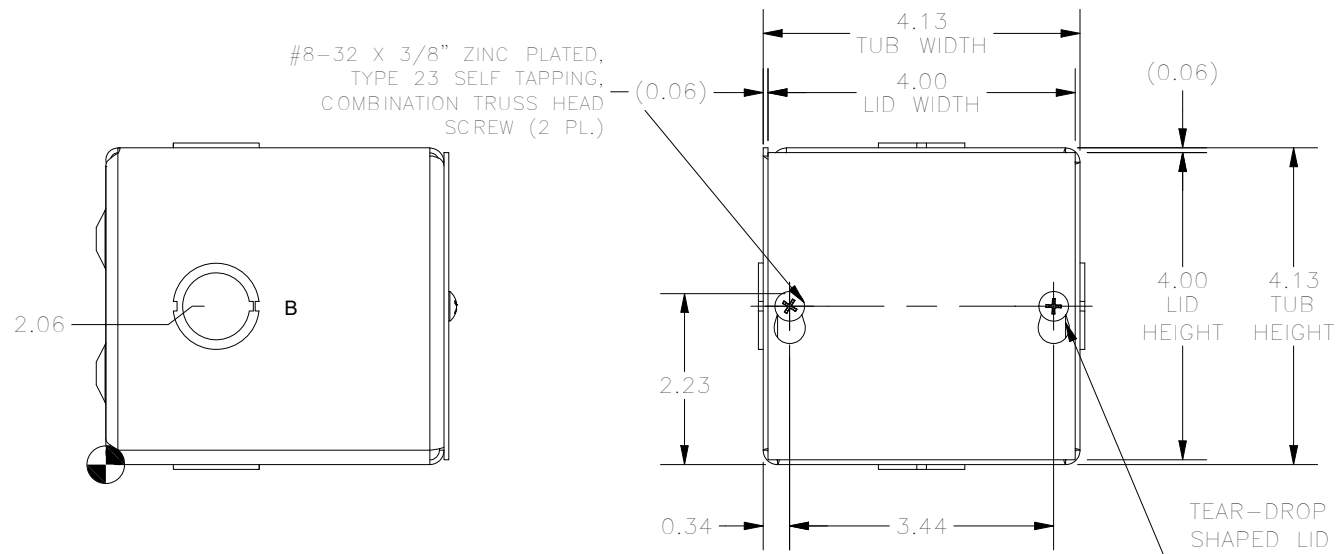
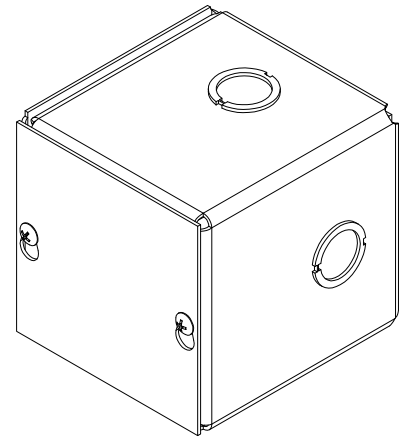
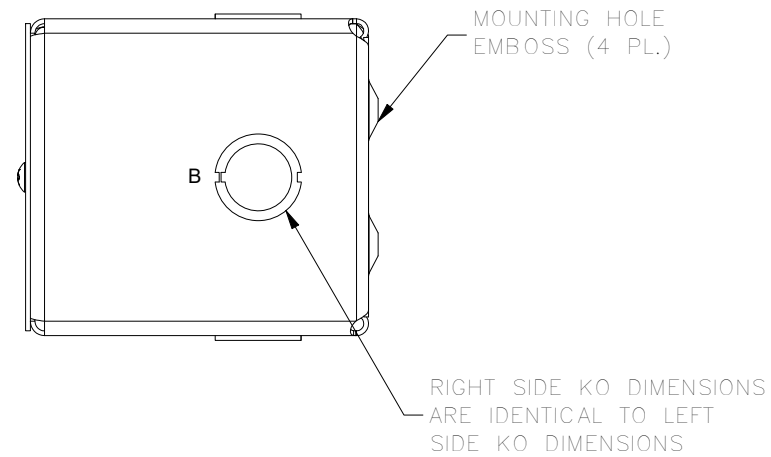


TOP VIEW

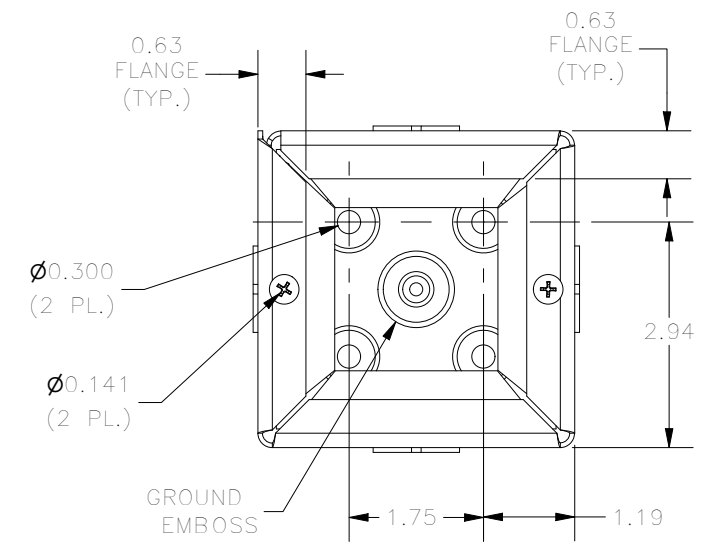


LEFT SIDE VIEW

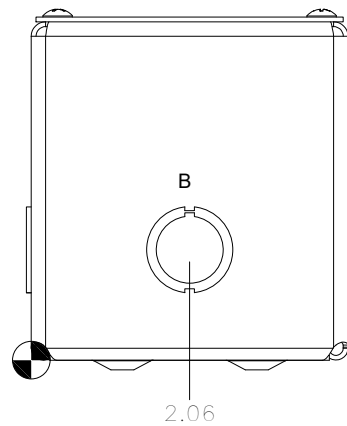
FRONT VIEW



RIGHT SIDE VIEW



FRONT VIEW LID REMOVED



BOTTOM VIEW

KNOCKOUT TABLE	
SIZE	DESCRIPTION
B	3/4 TO 1"

PART #:SC040404

(DATA SUBJECT TO CHANGE WITHOUT NOTICE)

THIS DRAWING IS THE PROPERTY OF HUBBELL INC. WIEGMANN

ALL INFORMATION IS PROPRIETARY AND NOT TO BE DUPLICATED