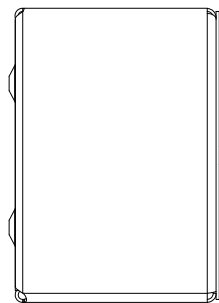
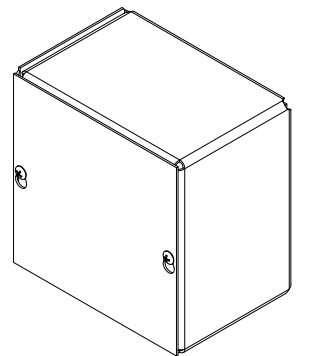
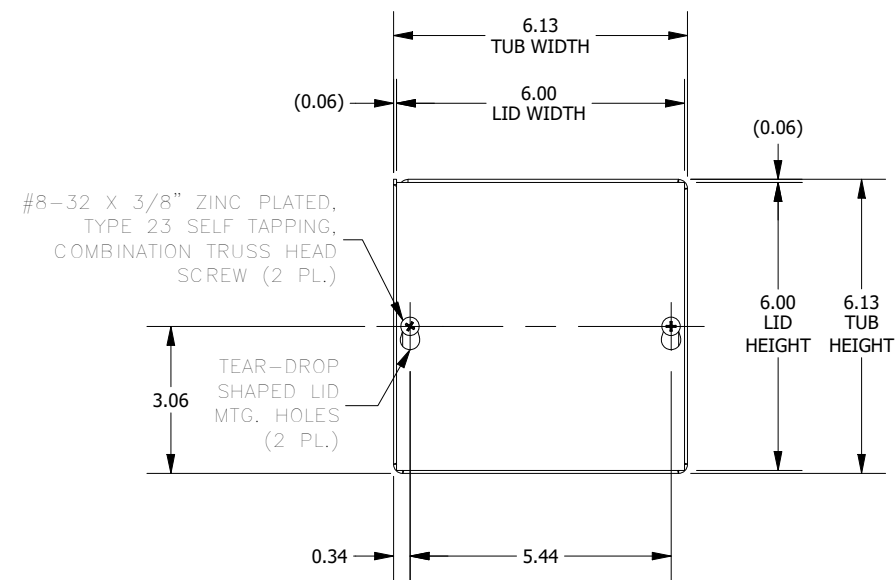


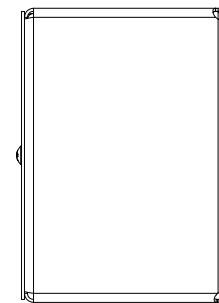
TOP VIEW



LEFT SIDE VIEW

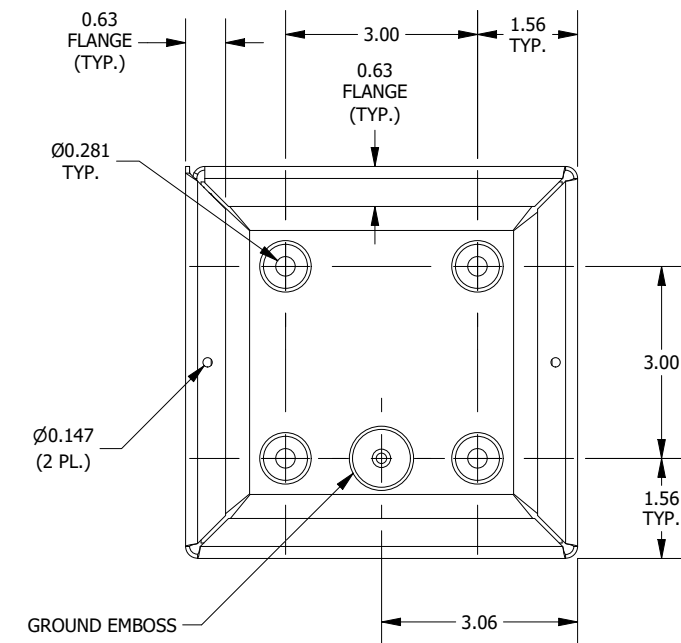


FRONT VIEW

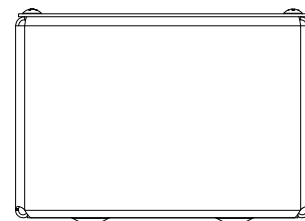


RIGHT SIDE VIEW

MOUNTING HOLE  
EMBOSS (4 PL.)



FRONT VIEW LID REMOVED



BOTTOM VIEW

PART #:SC060604NK  
 (DATA SUBJECT TO CHANGE WITHOUT NOTICE)  
 THIS DRAWING IS THE PROPERTY OF HUBBELL INC. WIEGMANN  
 ALL INFORMATION IS PROPRIETARY AND NOT TO BE DUPLICATED