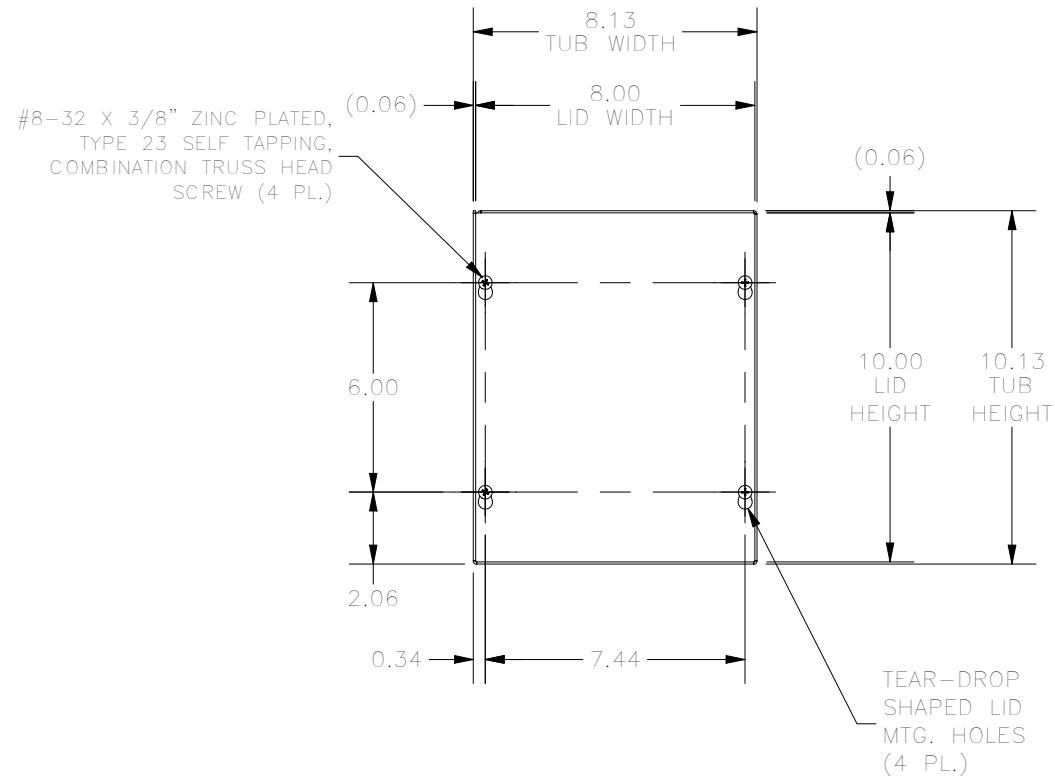
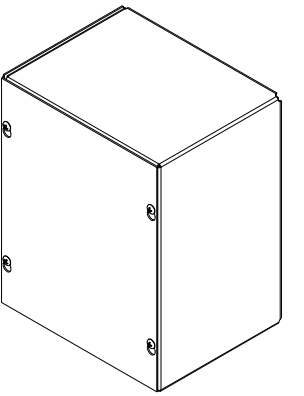
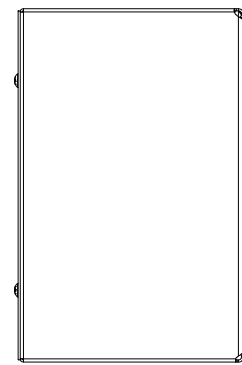


TOP VIEW

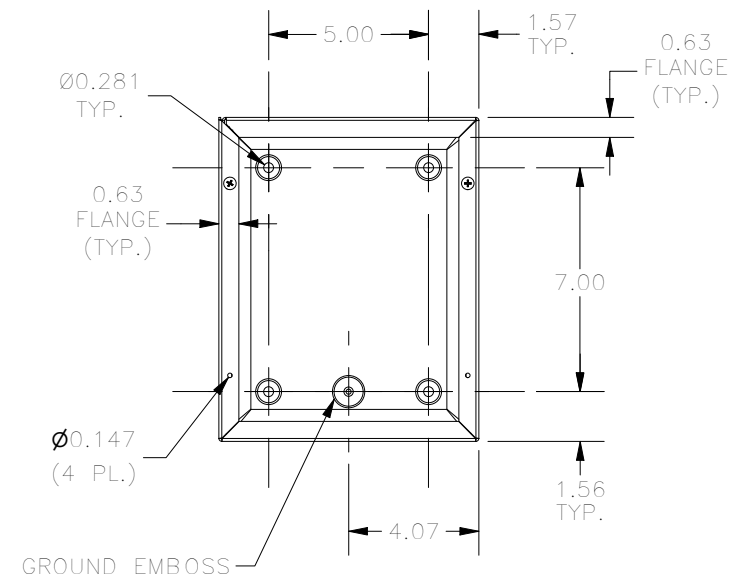


FRONT VIEW

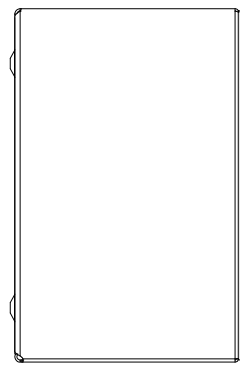


MOUNTING HOLE
EMBOSS (4 PL.)

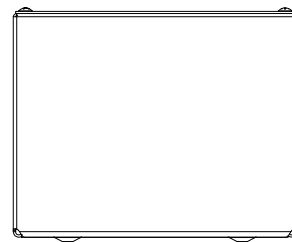
RIGHT SIDE VIEW



FRONT VIEW LID REMOVED



LEFT SIDE VIEW



BOTTOM VIEW

PART #:SC081006GNK
 (DATA SUBJECT TO CHANGE WITHOUT NOTICE)
 THIS DRAWING IS THE PROPERTY OF HUBBELL INC. WIEGMANN
 ALL INFORMATION IS PROPRIETARY AND NOT TO BE DUPLICATED