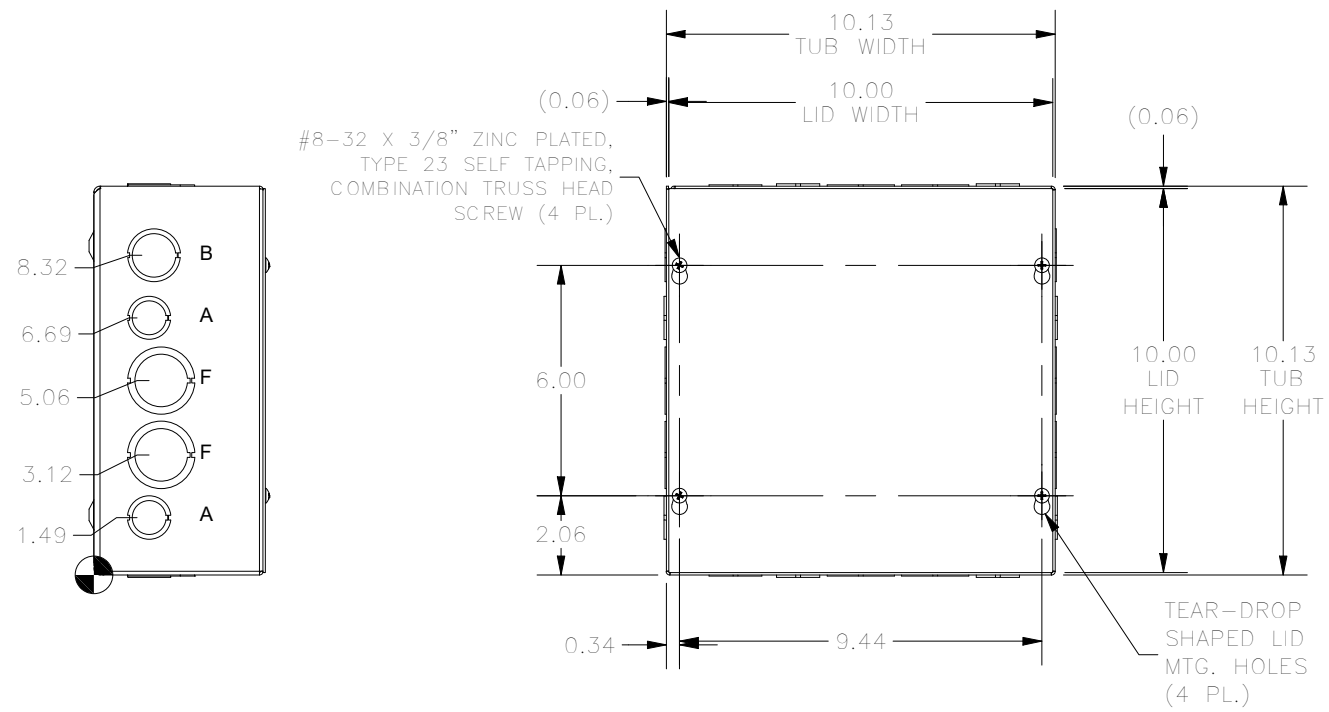
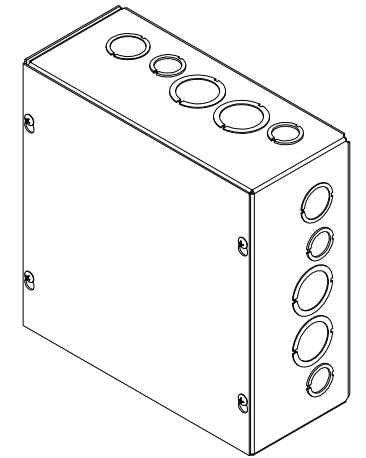
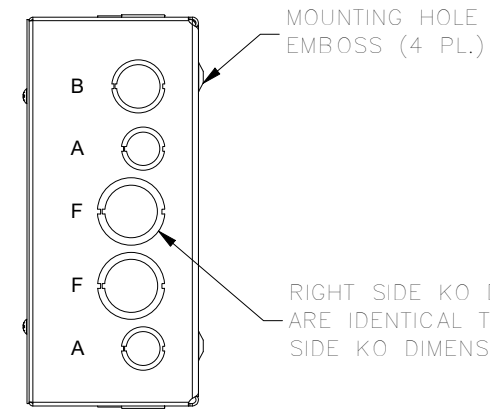


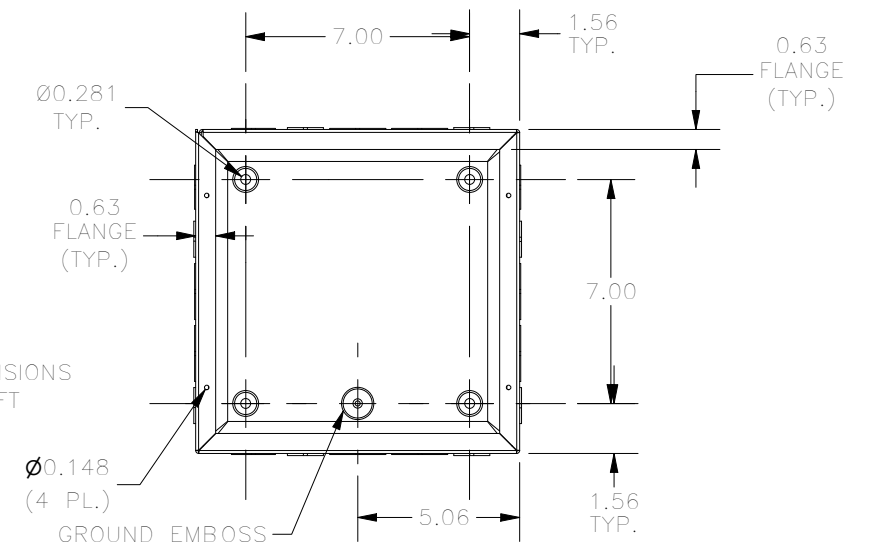
**TOP VIEW**



**FRONT VIEW**

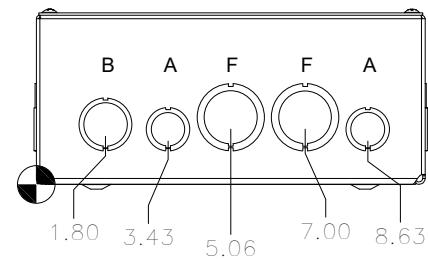


**RIGHT SIDE VIEW**



**FRONT VIEW LID REMOVED**

**LEFT SIDE VIEW**



**BOTTOM VIEW**

KNOCKOUT TABLE	
SIZE	DESCRIPTION
A	1/2" TO 3/4"
B	3/4 TO 1"
F	1" TO 1-1/4"

**PART #:SC101004G**

**(DATA SUBJECT TO CHANGE WITHOUT NOTICE)**

**THIS DRAWING IS THE PROPERTY OF HUBBELL INC. WIEGMANN  
ALL INFORMATION IS PROPRIETARY AND NOT TO BE DUPLICATED**