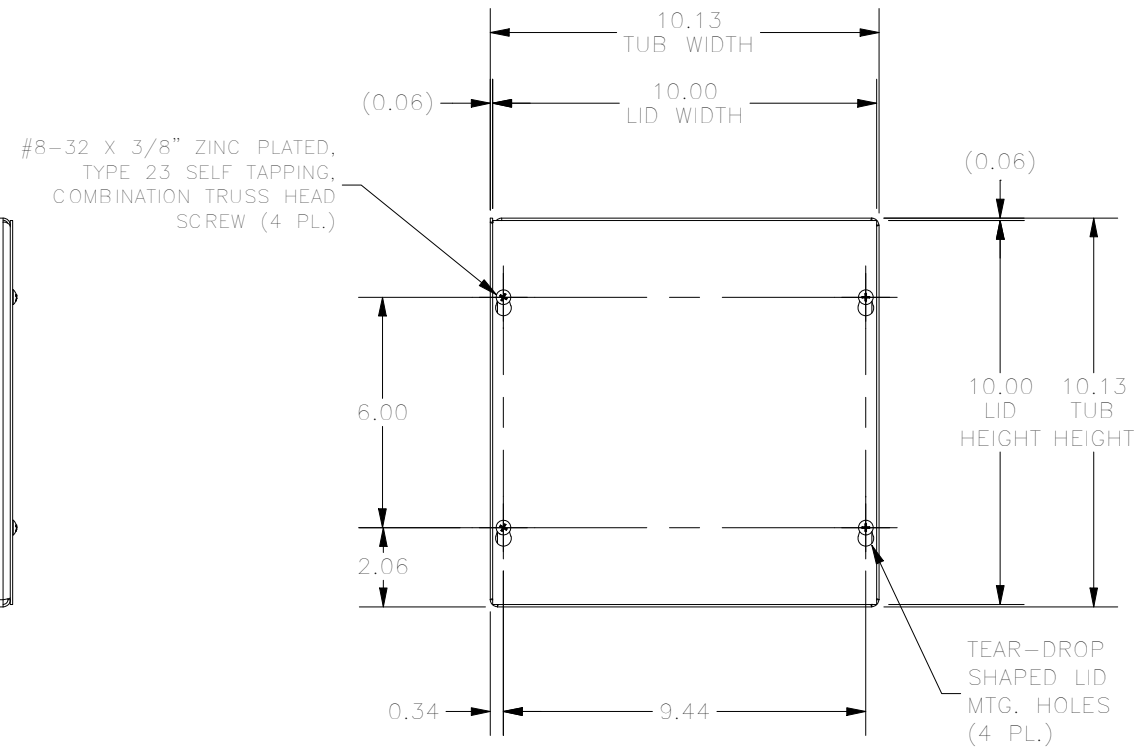
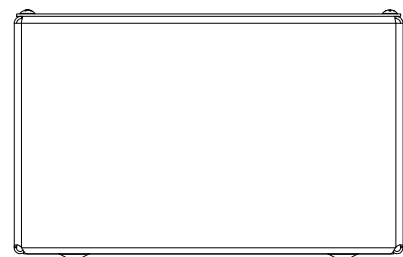


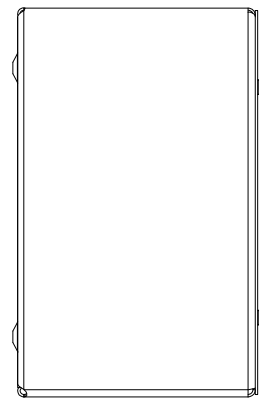
TOP VIEW



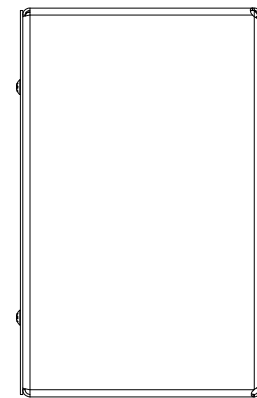
FRONT VIEW



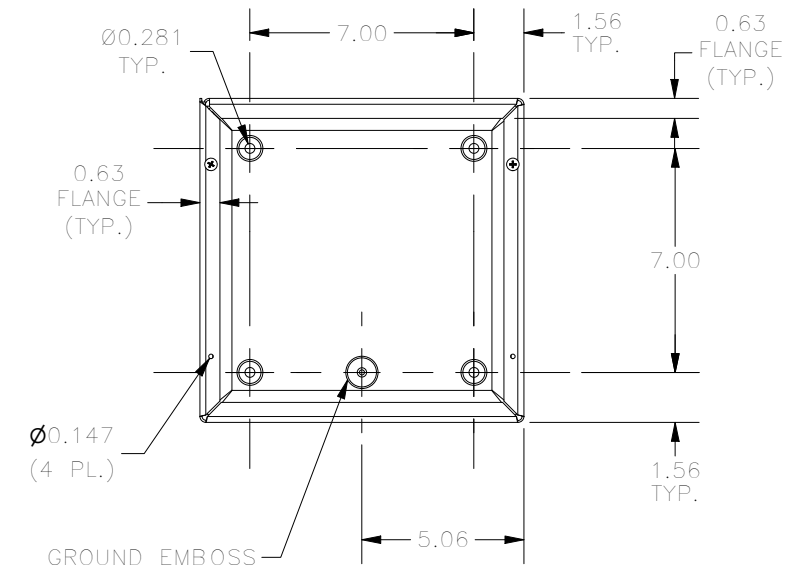
BOTTOM VIEW



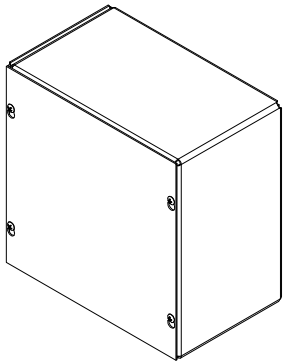
LEFT SIDE VIEW



RIGHT SIDE VIEW



FRONT VIEW LID REMOVED



PART #:SC101006NK  
 (DATA SUBJECT TO CHANGE WITHOUT NOTICE)  
 THIS DRAWING IS THE PROPERTY OF HUBBELL INC. WIEGMANN  
 ALL INFORMATION IS PROPRIETARY AND NOT TO BE DUPLICATED