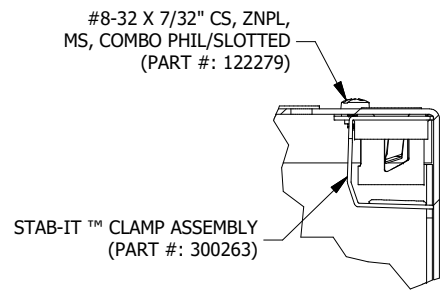
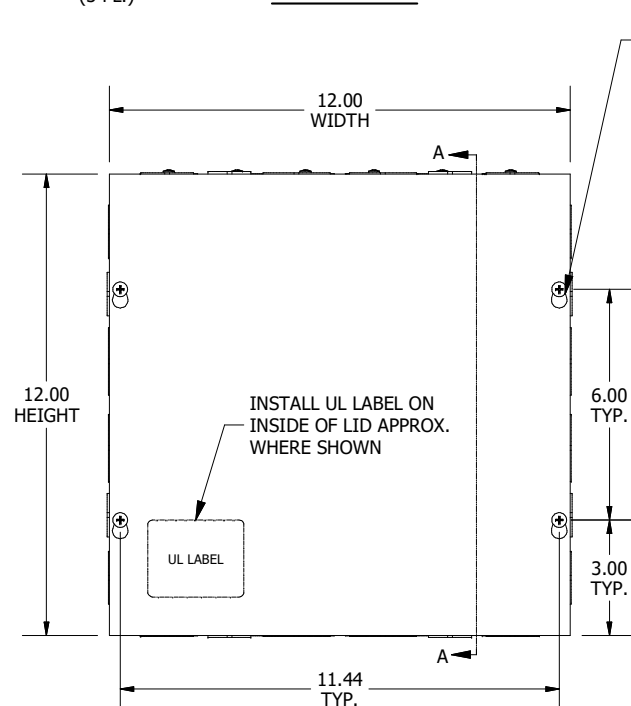


TOP VIEW

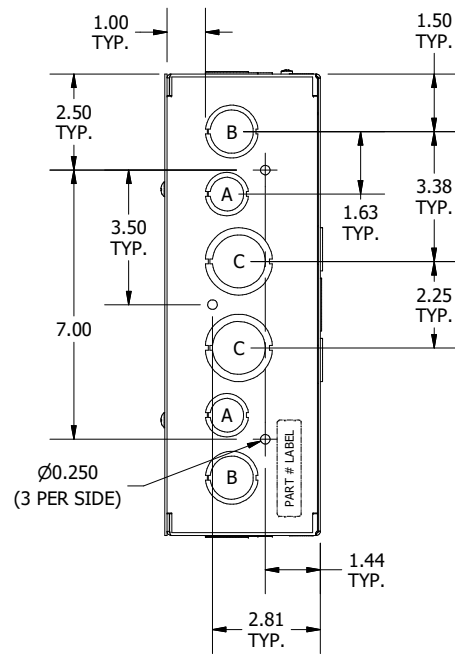


DETAIL A (6 PL.)
(STAB-IT™ INSTALLATION DETAIL)



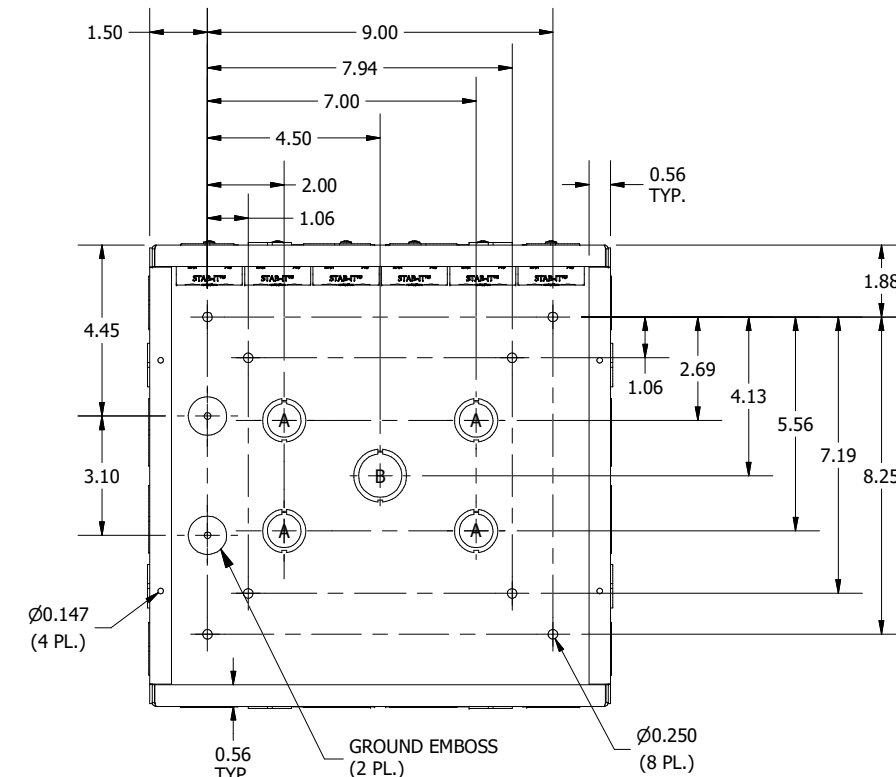
FRONT VIEW

#8-32 X 3/8" ZINC PLTD SELF-TAPPING SCREW (4 PL.) (NOT INSTALLED) (PACKAGED & SHIPPED W/ ENCL.)

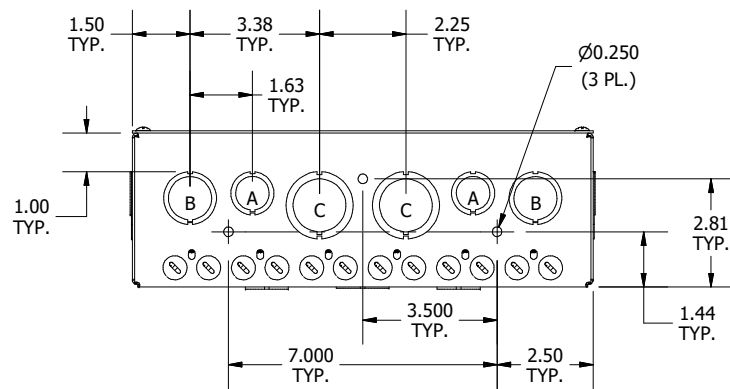


RIGHT SIDE VIEW

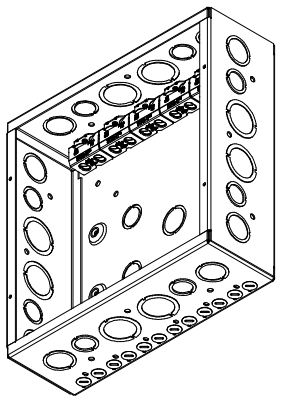
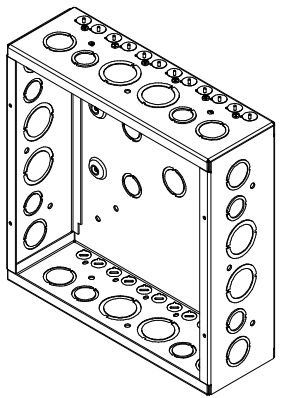
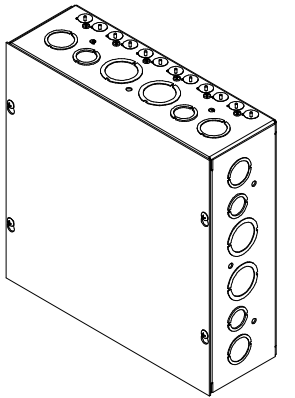
SECTION A-A
(INSIDE LEFT OF ENCL.)



FRONT VIEW (LID REMOVED)



BOTTOM VIEW



PART#: SC121204STRC
(DATA SUBJECT TO CHANGE WITHOUT NOTICE)

THIS DRAWING IS PROPERTY OF HUBBELL INC. WIEGMANN
ALL INFORMATION IS PROPRIETARY AND NOT TO BE DUPLICATED

KNOCKOUT TABLE	
K.O. SIZE	DESCRIPTION
A	1/2" - 3/4" CONCENTRIC KNOCKOUT
B	3/4" - 1" CONCENTRIC KNOCKOUT
C	1" - 1-1/4" CONCENTRIC KNOCKOUT