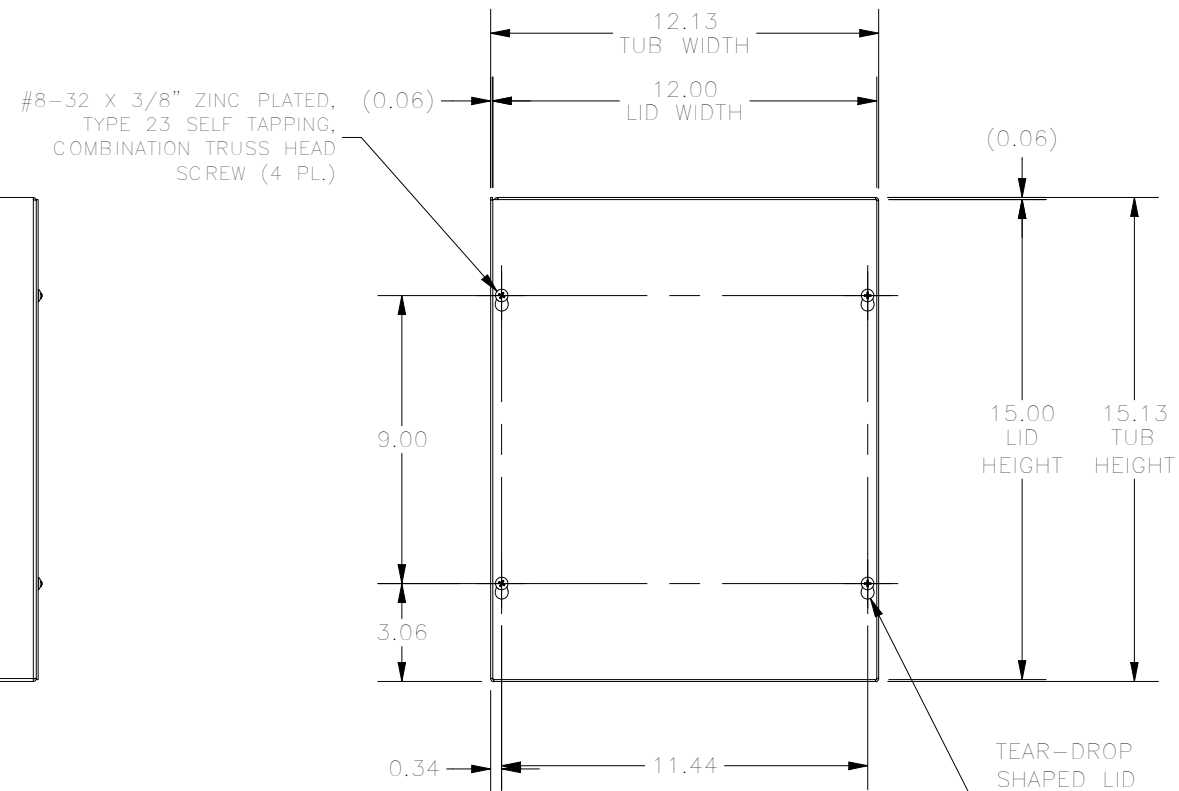
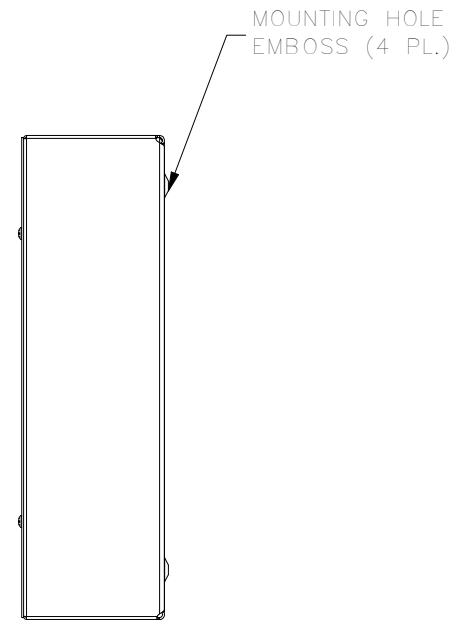


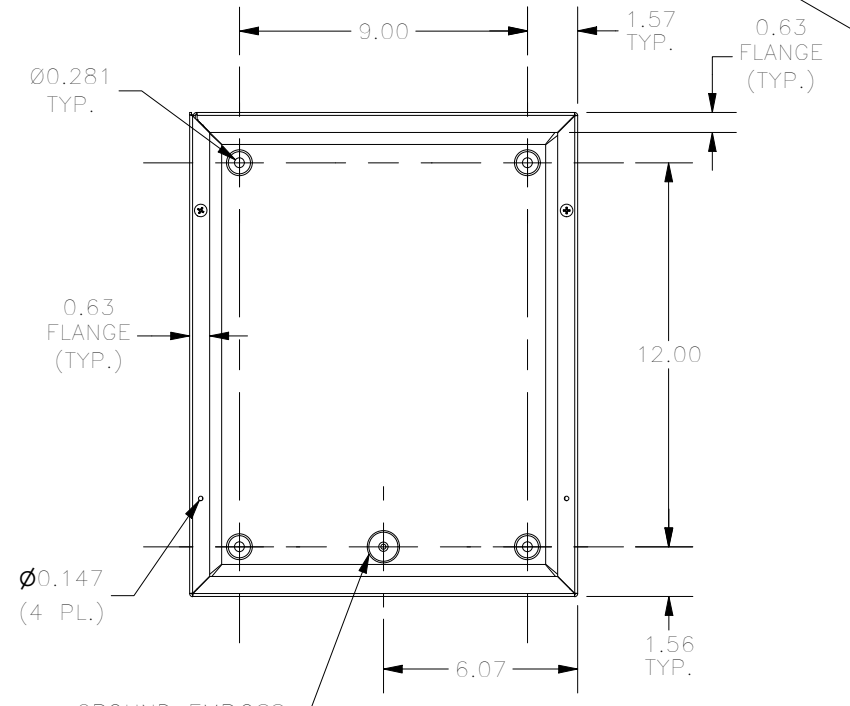
TOP VIEW



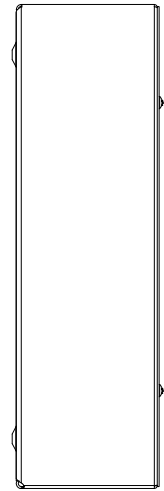
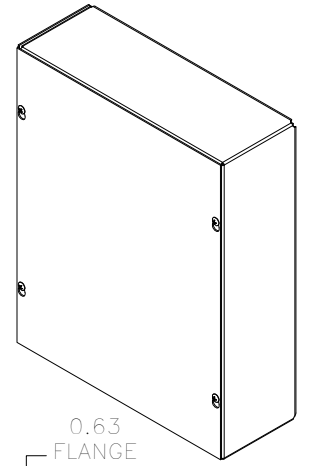
FRONT VIEW



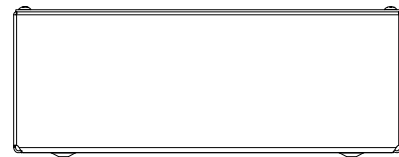
RIGHT SIDE VIEW



FRONT VIEW LID REMOVED



LEFT SIDE VIEW



BOTTOM VIEW

PART #:SC121504GNK  
 (DATA SUBJECT TO CHANGE WITHOUT NOTICE)  
 THIS DRAWING IS THE PROPERTY OF HUBBELL INC. WIEGMANN  
 ALL INFORMATION IS PROPRIETARY AND NOT TO BE DUPLICATED