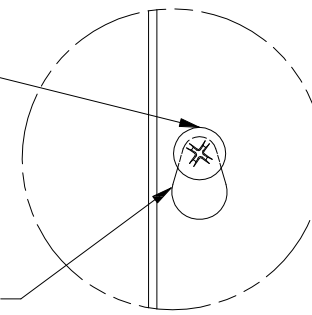


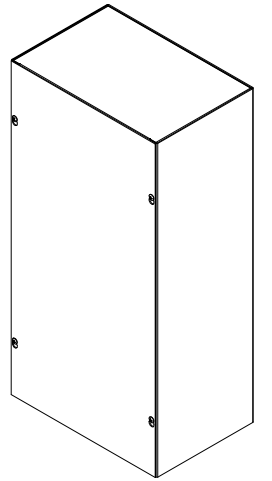
TOP VIEW

#8-32 X 3/8", TYPE 23,  
SELF TAPPING  
TRUSS HEAD SCREW (4 PL.)

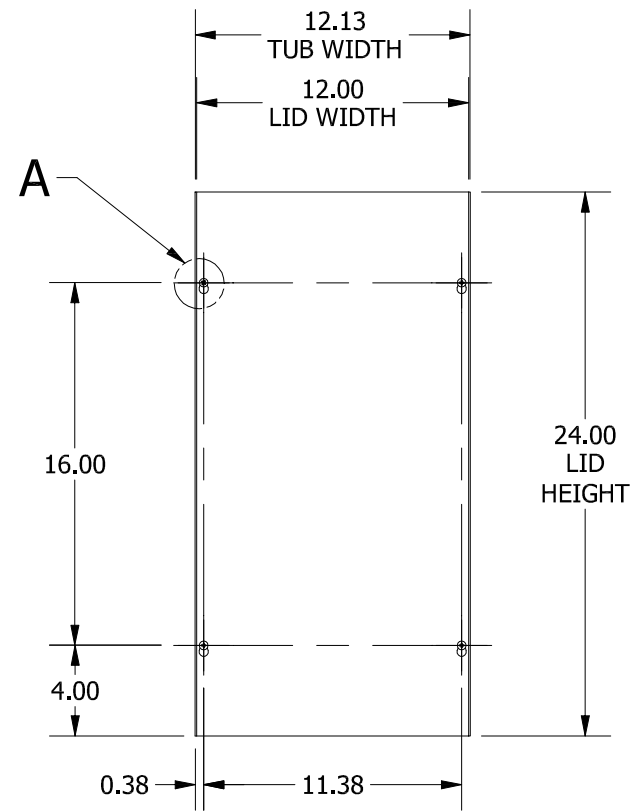
TEAR-DROP SHAPED  
MTG. HOLE IN LID  
(4 PL.)



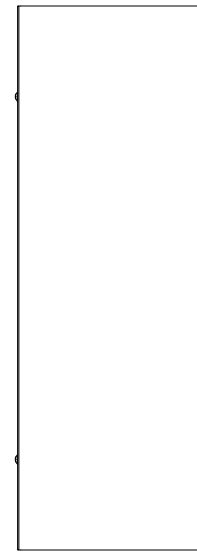
DETAIL A



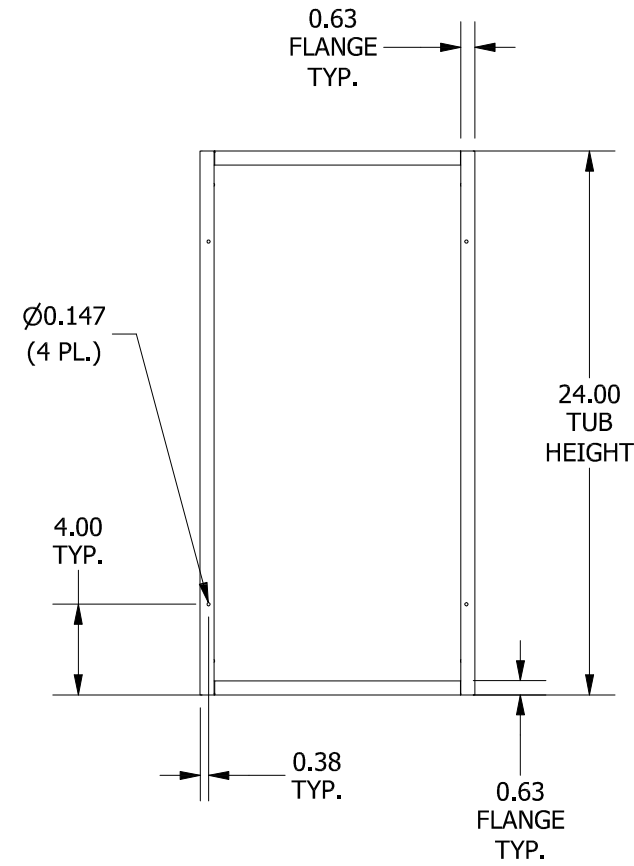
LEFT SIDE VIEW



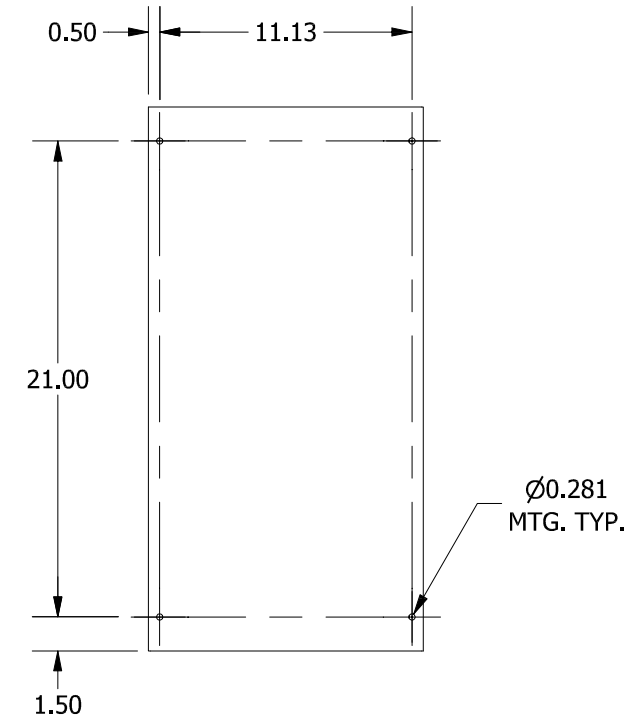
FRONT VIEW



RIGHT SIDE VIEW



FRONT VIEW LID REMOVED



BACK VIEW



BOTTOM VIEW

PART#: SC 122408GNK  
(DATA SUBJECT TO CHANGE WITHOUT NOTICE)

THIS DRAWING IS PROPERTY OF HUBBELL INC. WIEGMANN  
ALL INFORMATION IS PROPRIETARY AND NOT TO BE DUPLICATED