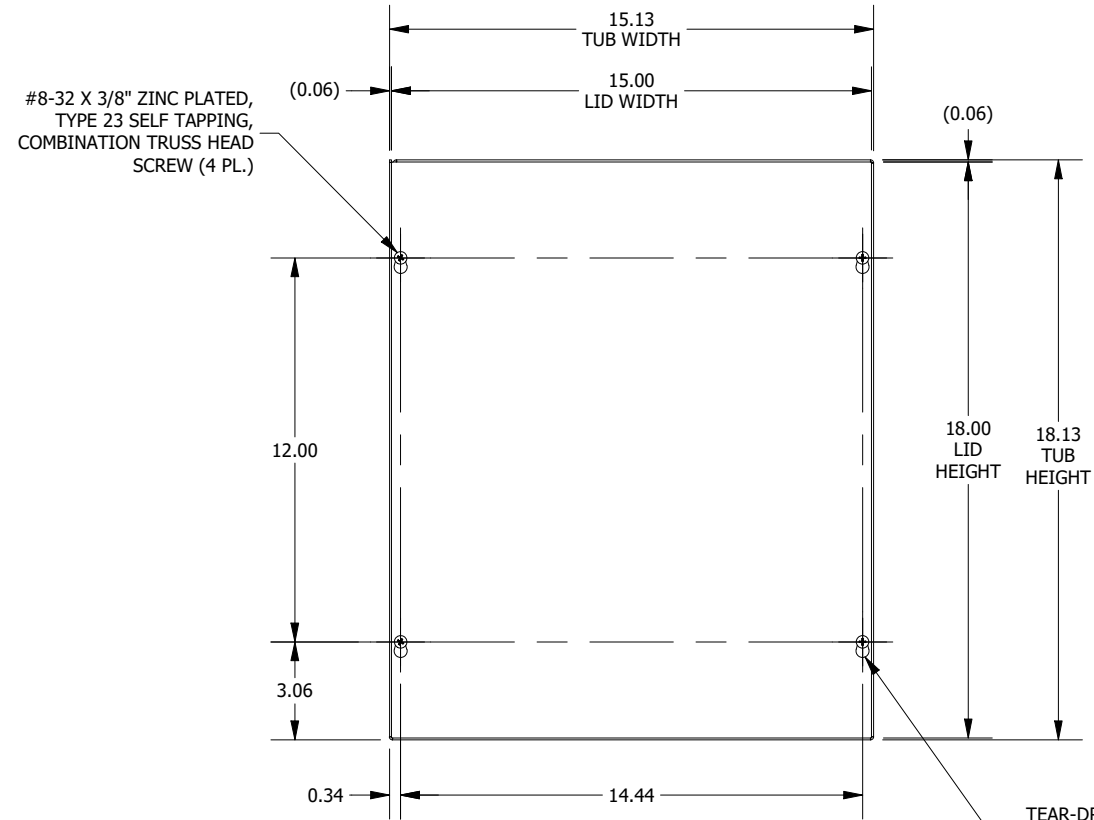


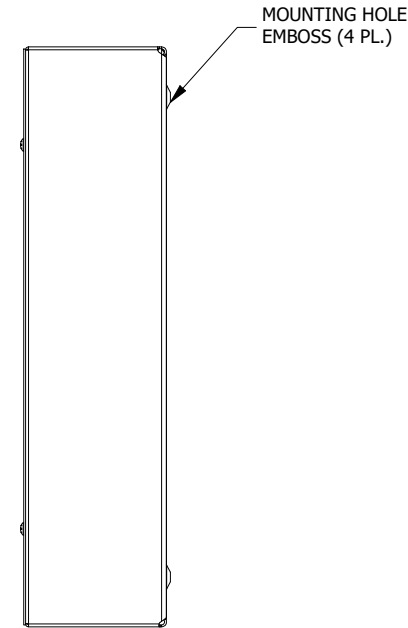


TOP VIEW

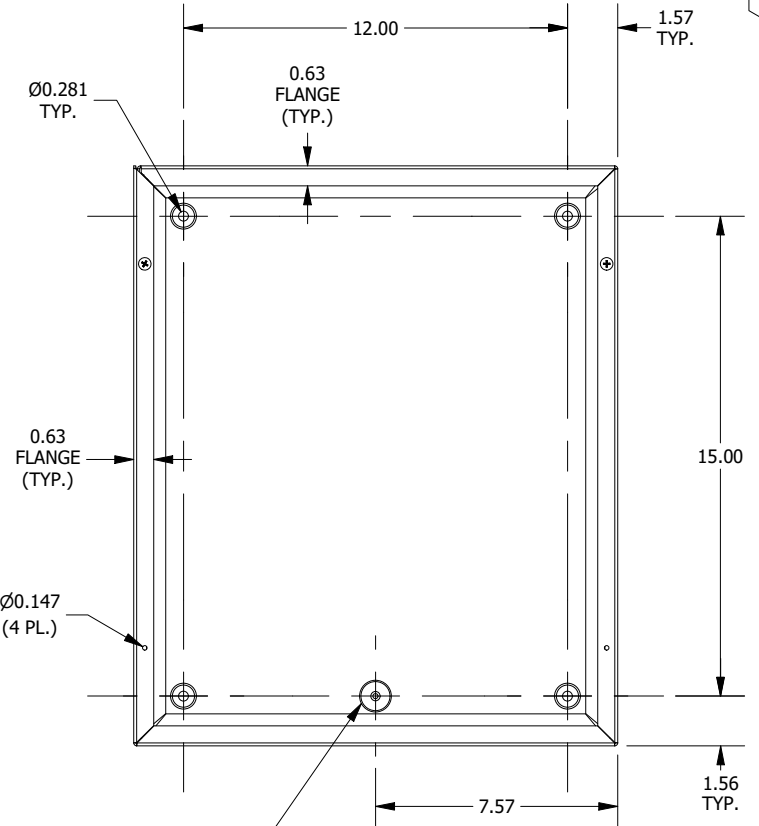


FRONT VIEW

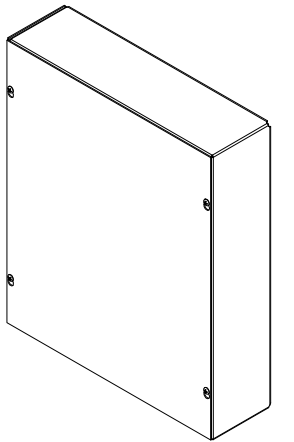
TEAR-DROP SHAPED LID MTG. HOLES (4 PL.)



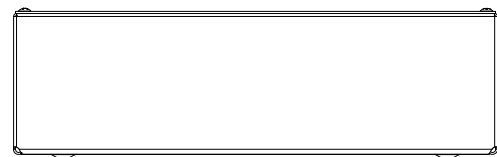
RIGHT SIDE VIEW



FRONT VIEW LID REMOVED



LEFT SIDE VIEW



BOTTOM VIEW

PART #:SC151804GNK
 (DATA SUBJECT TO CHANGE WITHOUT NOTICE)
 THIS DRAWING IS THE PROPERTY OF HUBBELL INC. WIEGMANN
 ALL INFORMATION IS PROPRIETARY AND NOT TO BE DUPLICATED