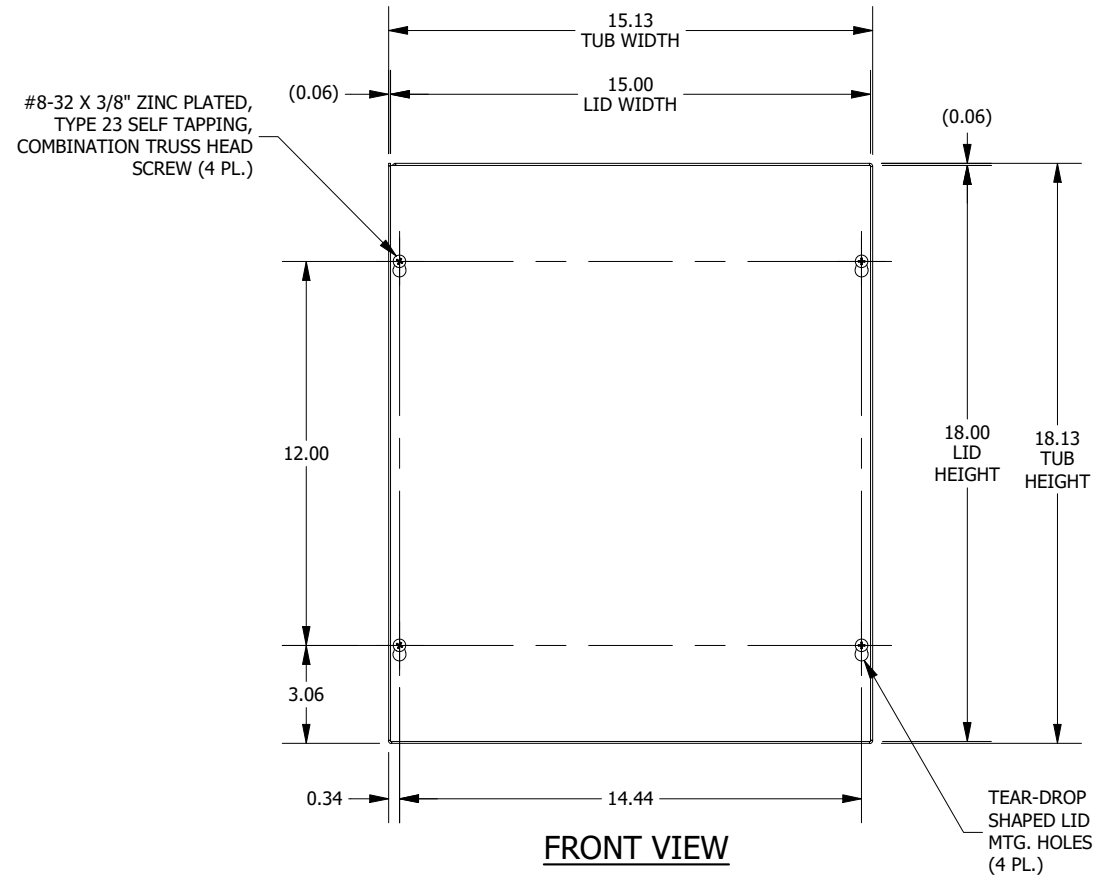
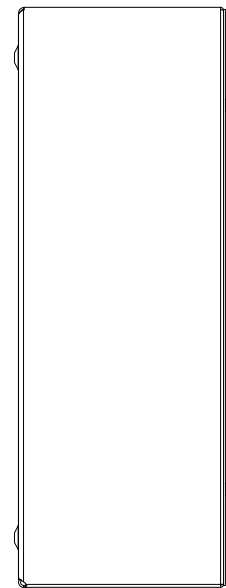


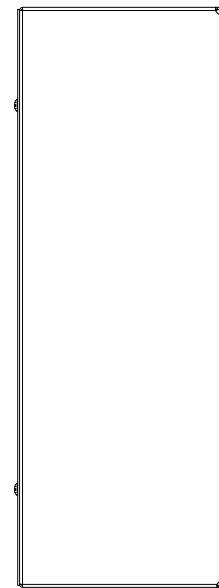
TOP VIEW



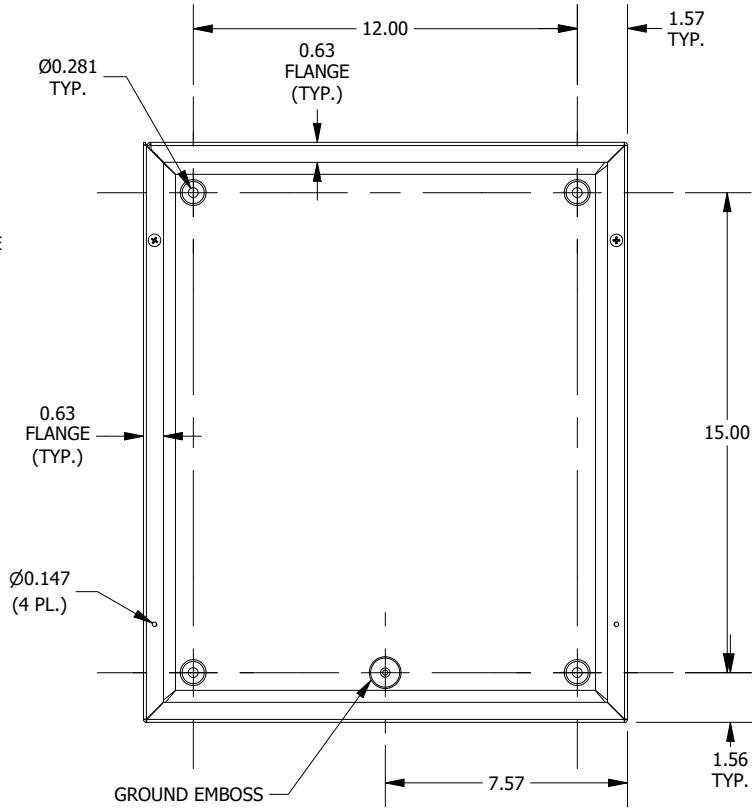
FRONT VIEW



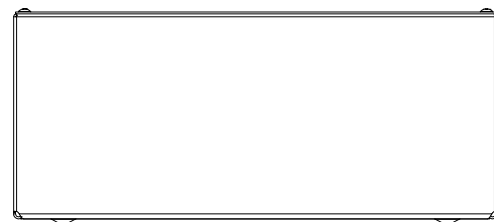
LEFT SIDE VIEW



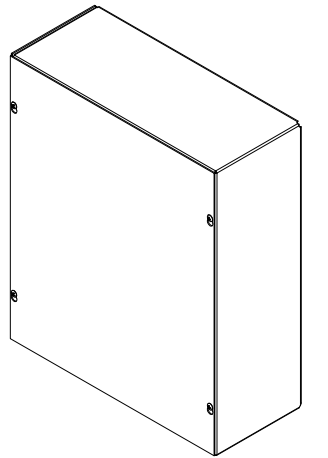
RIGHT SIDE VIEW



FRONT VIEW LID REMOVED



BOTTOM VIEW



PART #:SC151806GNK
 (DATA SUBJECT TO CHANGE WITHOUT NOTICE)
 THIS DRAWING IS THE PROPERTY OF HUBBELL INC. WIEGMANN
 ALL INFORMATION IS PROPRIETARY AND NOT TO BE DUPLICATED