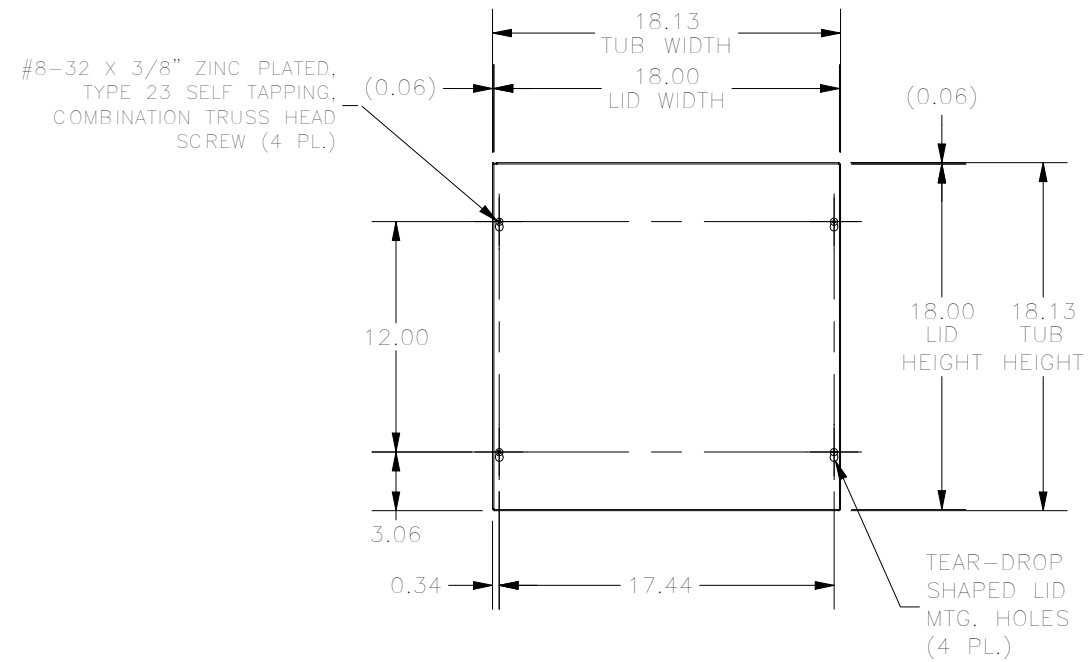
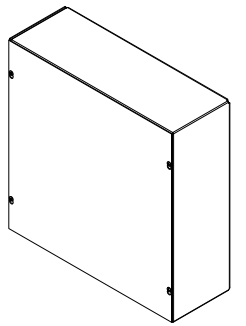
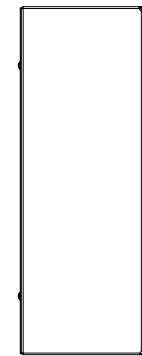
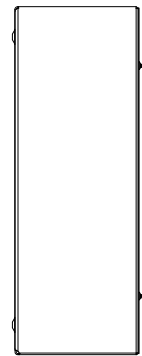


TOP VIEW



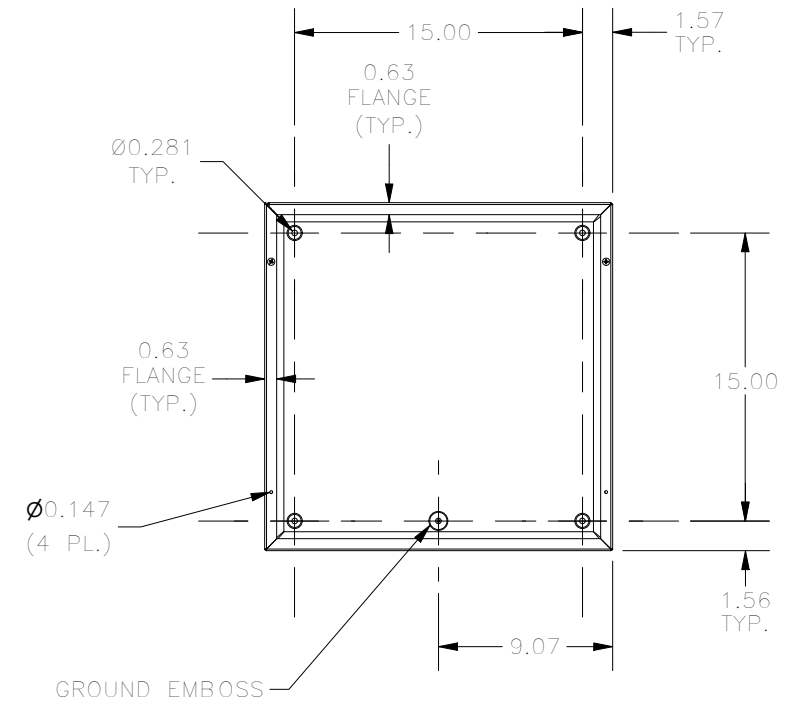
FRONT VIEW

LEFT SIDE VIEW



RIGHT SIDE VIEW

MOUNTING HOLE
EMBOSS (4 PL.)



FRONT VIEW LID REMOVED



BOTTOM VIEW

PART #:SC181806GNK
 (DATA SUBJECT TO CHANGE WITHOUT NOTICE)
 THIS DRAWING IS THE PROPERTY OF HUBBELL INC. WIEGMANN
 ALL INFORMATION IS PROPRIETARY AND NOT TO BE DUPLICATED