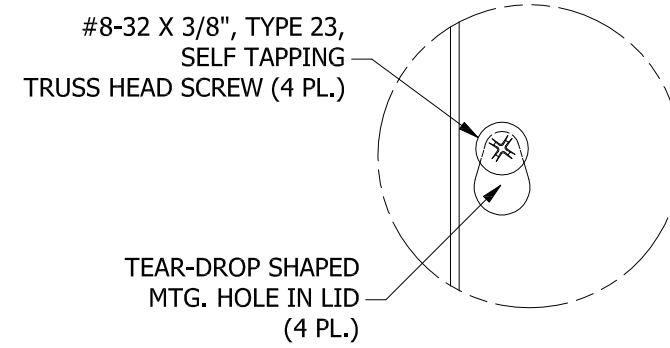
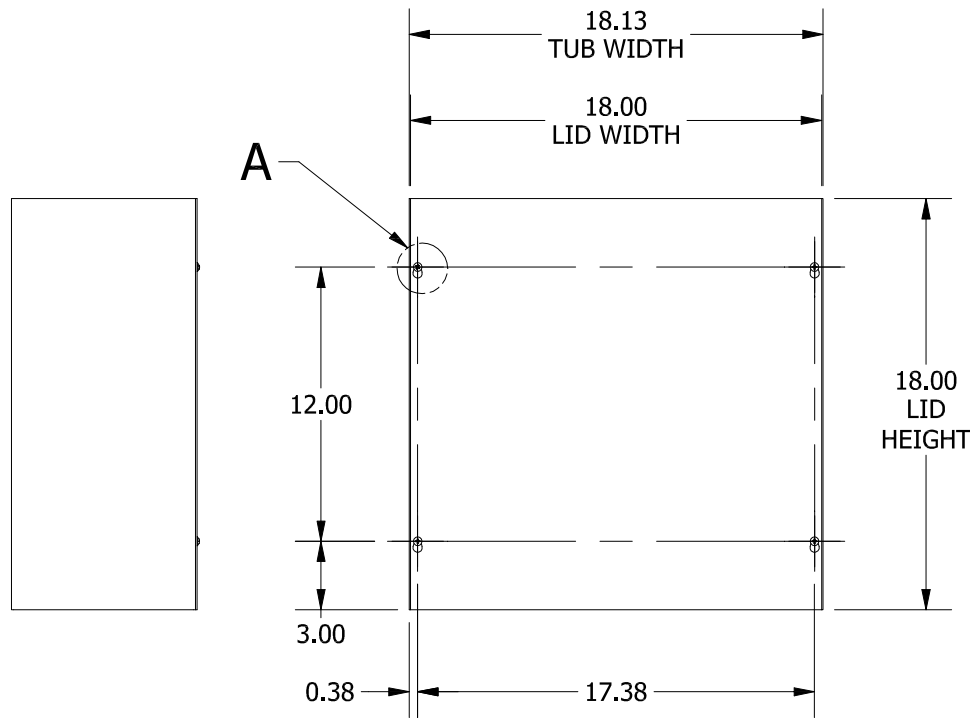
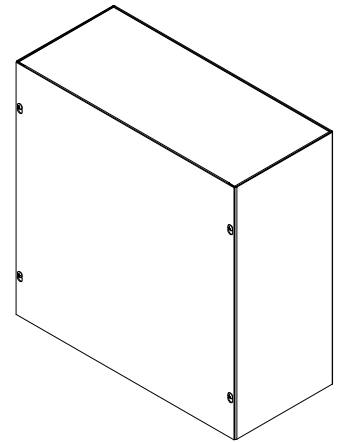


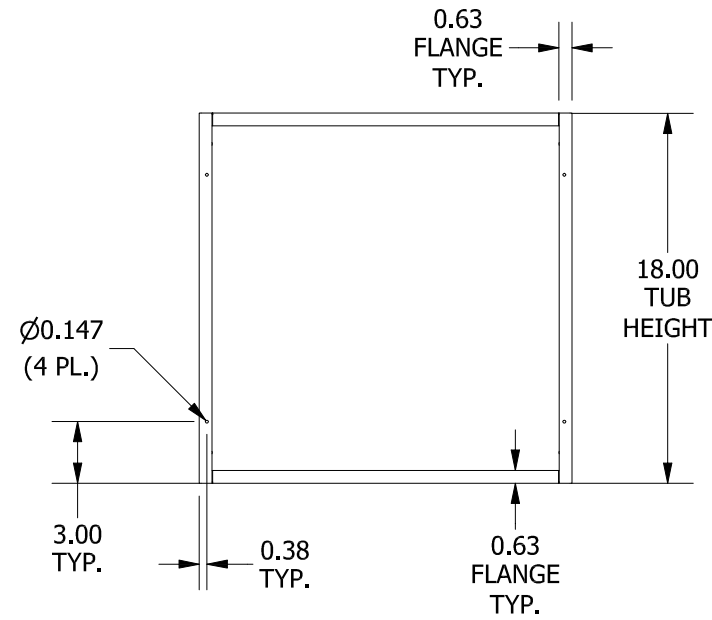
TOP VIEW



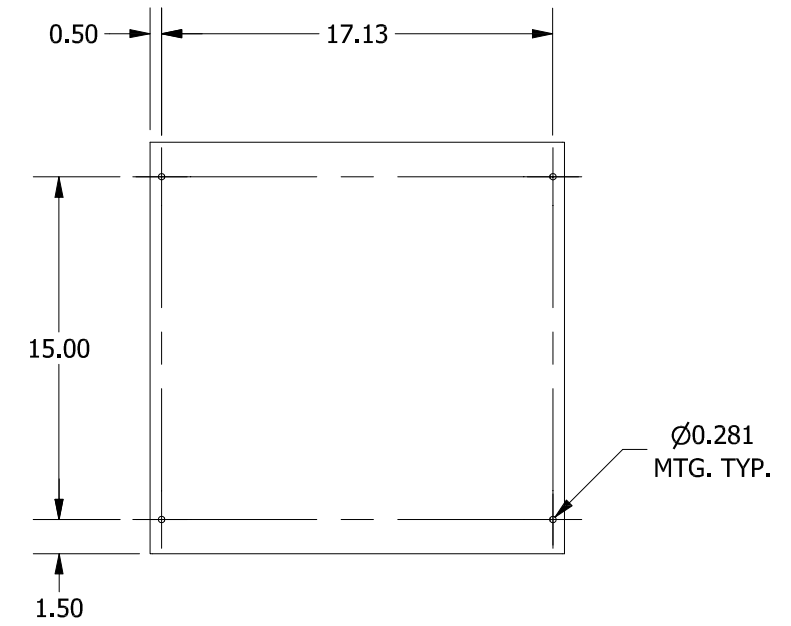
DETAIL A



FRONT VIEW



FRONT VIEW LID REMOVED



BACK VIEW

LEFT SIDE VIEW

RIGHT SIDE VIEW



BOTTOM VIEW

PART#: SC181808NK  
 (DATA SUBJECT TO CHANGE WITHOUT NOTICE)

THIS DRAWING IS PROPERTY OF HUBBELL INC. WIEGMANN  
 ALL INFORMATION IS PROPRIETARY AND NOT TO BE DUPLICATED